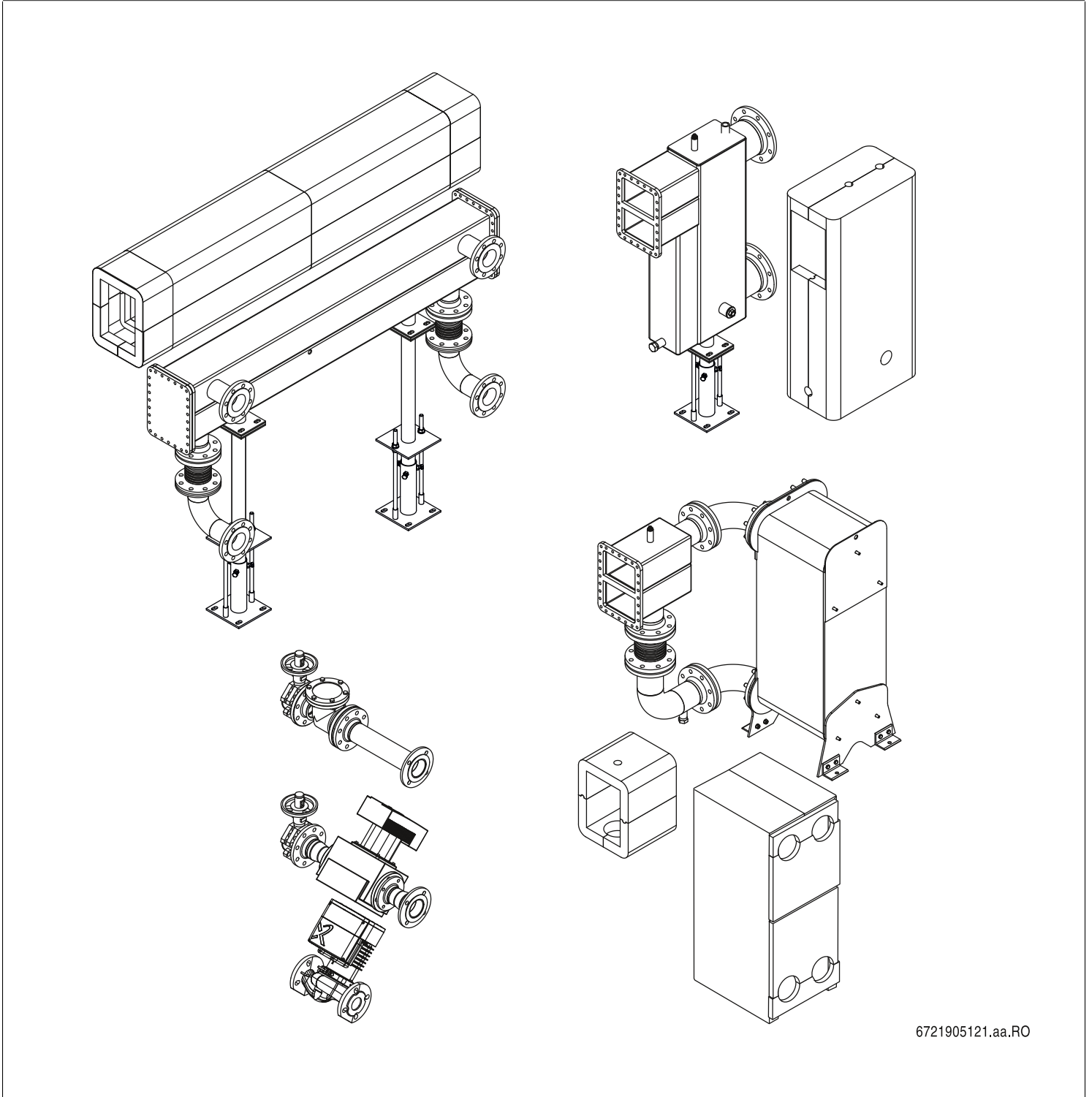


Kaskade GB402

Cascade GB402



6721905121.aa.RO

[de] Wichtige Hinweise zur Installation/Montage

Die Installation/Montage muss durch eine für die Arbeiten zugelassene Fachkraft unter Beachtung der geltenden Vorschriften erfolgen.

[en] Important notes on installation/assembly

The installation/assembly must be carried out by a qualified contractor, following these instructions and in compliance with the applicable regulations.

[fr] Instructions importantes pour l'installation/le montage

L'installation/le montage doit être effectué(e) par un spécialiste qualifié pour les opérations concernées et dans le respect de la présente notice et des prescriptions applicables.

[bg] Важни указания във връзка с инсталацията/монтажа

Инсталацията/монтажът трябва да се извършва от лицензиран за работите специалист в съответствие с настоящото ръководство и с приложените разпоредби.

[cs] Důležité pokyny k instalaci/montáži

Instalaci/montáž musí při dodržení pokynů uvedených v tomto návodu a platných předpisů provést odborný pracovník s příslušným oprávněním pro tyto práce.

[da] Vigtige anvisninger til installationen/monteringen

Installationen/monteringen skal foretages af en godkendt installatør under overholdelse af denne vejledning og de gældende forskrifter.

[el] Σημαντικές υποδείξεις για την εγκατάσταση/συναρμολόγηση

Η εγκατάσταση/τοποθέτηση πρέπει να ανατίθεται σε εκπαιδευμένο για τις συγκεκριμένες εργασίες τεχνικό προσωπικό με τήρηση αυτών των οδηγιών καθώς και των σχετικών προδιαγραφών.

[es] Indicaciones importantes para instalación/montaje

La instalación/el montaje debe realizarla personal especializado que esté autorizado para realizar estos trabajos y que tenga en cuenta estas instrucciones y la normativa vigente.

[et] Olulised juhised paigaldamiseks/montaažiks

Paigaldamist/montaaži tohib läbi viia vaid selleks volitusi omav spetsialist, arvestades kehtivaid nõudeid.

[nl-BE] Belangrijke aanwijzingen betreffende de installatie/montage

De installatie/montage moet worden uitgevoerd door een voor de werkzaamheden geautoriseerde installateur rekening houdend met deze handleiding en de geldende voorschriften.

[fi] Tärkeitä asennus- ja kokoonpano-ohjeita

Näihin töihin hyväksytyt ammattiasentajan pitää suorittaa asennus- ja kokoonpanotyöt voimassa olevien määräysten mukaisesti.

[hu] Fontos tudnivalók az installálás/szereléshez

A telepítés/szerelés egy, a munkálatokra felhatalmazott szakembernek kell végeznie, jelen utasítás és az érvényes előírások figyelembevételével.

[it] Avvertenze importanti per l'installazione/il montaggio

L'installazione/il montaggio deve aver luogo ad opera di una ditta specializzata ed autorizzata in osservanza di queste istruzioni e delle direttive vigenti.

[ka] მნიშვნელოვანი მითითებები ინსტალაციისთვის/მონტაჟისთვის

ინსტალაცია/მონტაჟი უნდა განხორციელდეს სამუშაოებისთვის დაშვებული კვალიფიციური პერსონალის მიერ, მოქმედი განაცხადის დაცვით.

[lt] Svarbios instaliavimo ir (arba) montavimo nuorodos

Instaliavimo/montavimo darbus, laikydamiesi šios instrukcijos reikalavimų ir galiojančių taisyklių, privalo atlikti šiems darbams įgalioti specialistai.

[sq] Shënime të rëndësishme për instalimin/montimin

Instalimi/montimi duhet të bëhet nga një kontraktues i kualifikuar, duke ndjekur këto udhëzime dhe në përputhje me rregulloret në fuqi.

[lv] Svarīgi norādījumi par iekārtas uzstādīšanu / montāžu

Uzstādīšanu/montāžu jāveic atbilstošajiem darbiem sertificētam speciālistam, ievērojot šo instrukciju un spēkā esošos noteikumus.

[nl] Belangrijke aanwijzingen betreffende de installatie/montage

De installatie/montage moet door een erkend installateur volgens de geldende voorschriften worden uitgevoerd.

[no] Viktig informasjon om installasjon/montering

Installasjonen/monteringen skal gjennomføres av autoriserte installatører, og installasjonsanvisningen samt gjeldende forskrifter skal følges.

[pl] Ważne wskazówki dotyczące instalacji/montażu

Instalację/montaż powinien wykonać specjalista uprawniony do tego typu prac z uwzględnieniem informacji podanych w niniejszej instrukcji oraz aktualnie obowiązujących przepisów.

[pt] Indicações importantes relativas à instalação/montagem

A instalação/montagem deve ser efectuada por um técnico autorizado para os trabalhos, respeitando este manual e as prescrições válidas.

[ro] Indicații importante privind instalarea/montajul

Instalarea/montajul trebuie realizate de către un specialist autorizat pentru lucrările respective, respectându-se prezentele instrucțiuni și prescripțiile valabile.

[ru] Важные указания по подключению/монтажу

Подключение/монтаж должны выполнять только специалисты, имеющие допуск к выполнению таких работ, при соблюдении требований этой инструкции и действующих норм и правил.

[sk] Dôležité pokyny týkajúce sa inštalácie/montáže

Inštaláciu/montáž musí vykonať odborný personál, ktorý má oprávnenie pre výkon týchto prác, pričom musí dodržiavať pokyny uvedené v tomto návode a platné predpisy.

[sl] Pomembni napotki za namestitvev/montažo

Inštalacijo/montažo lahko izvede samo pooblaščen strokovnjak ob upoštevanju teh navodil in veljavnih predpisov.

[sr] Važna uputstva za ugradnju i montažu

Ovu instalaciju/montažu moraju da obave stručna lica koja su ovlašćena za obavljanje takvih radova u skladu sa ovim uputstvom i važećim propisima.

[sv] Viktiga anvisningar för installation/montering

Installationen/monteringen måste utföras av en behörig och tekniskt utbildad person enligt denna anvisning samt gällande föreskrifter.

[tr] Kurulum/Montaj ile ilgili önemli uyarılar

Kurulum/montaj, bu çalışmalarını yapmasına müsaade edilen uzman kişiler tarafından işbu kılavuz ve geçerli yönetmelikler dikkate alınarak yapılmalıdır.

[uk] Важливі вказівки щодо установки/монтажу

Встановлення/монтаж повинні виконувати фахівці, що допущені до виконання таких робіт, із дотриманням цієї інструкції та діючих приписів.

[zh] 安装方面的重要提示

安装和组装工作必须由经过许可的专业人员进行，同时必须遵守本说明书和现行法规的相关要求

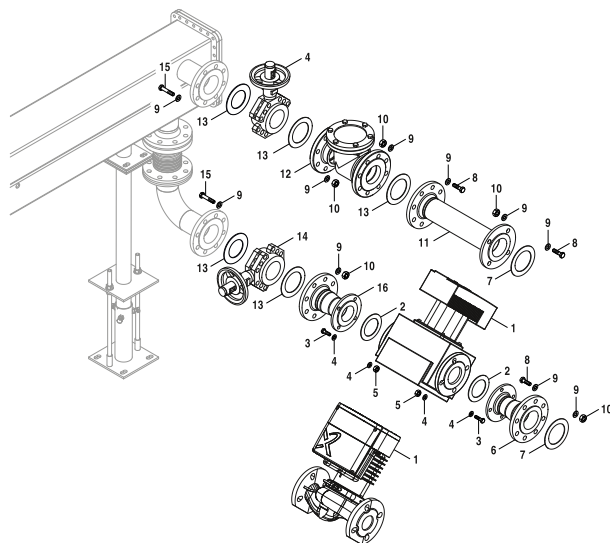
[ar] ملاحظات هامة للتثبيت/التجميع
يجب أن يتم التثبيت/التجميع من قبل متخصص مصرح له بالعمل، مع مراعاة اللوائح السارية.

[fa] تذکرات مهم درباره نصب/مونتاژ
نصب/مونتاژ باید توسط فردی حرفه ای که مجاز به انجام این کار است، و همچنین با توجه کامل به مقررات مربوطه انجام شود.

[az] Quraşdırılma

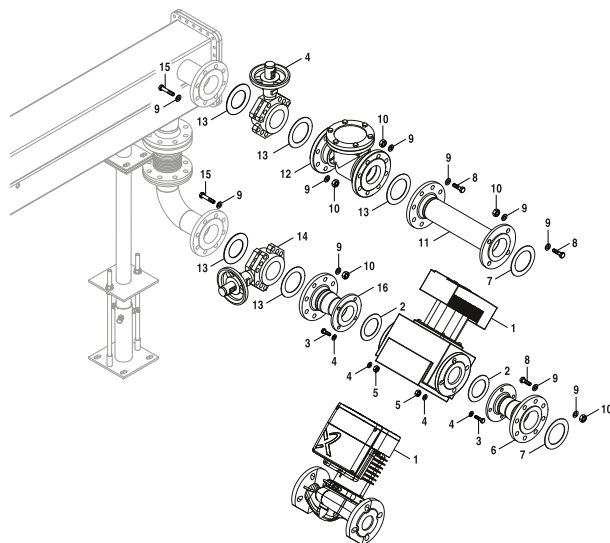
Quraşdırılma işinin yerinə yetirilməsi səlahiyyətli bir mütəxəssis tərəfindən və müvafiq qaydalara uyğun olaraq aparılmalıdır.

Inhaltsverzeichnis Table of contents	Table de matieres Indice	Inhoud Indice
BCS-CS23	7736613128	5
BCS-CS24	7736613129	6
BCS-CS25	7736613130	7
BCS-CS26	7736613131	8
BCS-CS27	7736613138	9
BCS-CS28	7736613139	10
BCS-GB402	7736613101	11
HY-LLH-GB402	7736613102	12
HY-S1040	7736613105	13
HY-S1125	7736613104	14
HY-S1240	7736613103	15
HY-S600	7736613111	16
HY-S675	7736613110	17
HY-S750	7736613109	18
HY-S825	7736613108	19
HY-S900	7736613107	20
HY-S975	7736613106	21



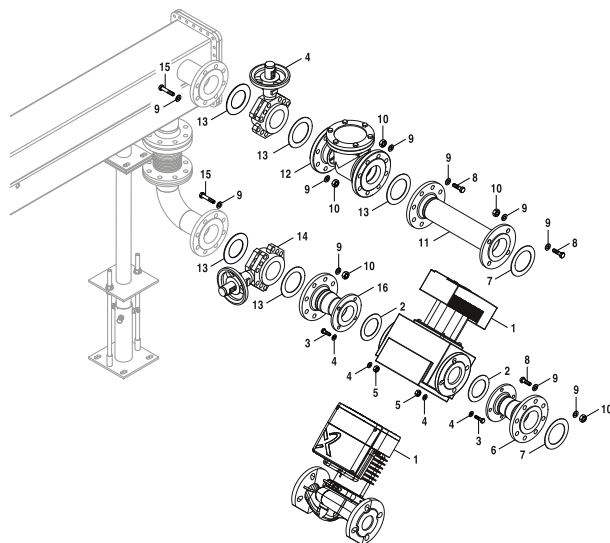
6721905125_aa_PO

		Bezeichnung	Description	Dénomination	Benaming
1	7 738 333 823	Stratos MAXO 50/0,5-9 PN6/10 (DE)	Stratos MAXO 50/0,5-9 PN6/10 (DE)	Stratos MAXO 50/0,5-9 PN6/10 (DE)	
2	7 736 603 875	Dichtung 61x95x2mm (2x) everp	Gasket 61x95x2mm	Joint 61x95x2mm	Pakking 61x95x2mm
3	8 718 575 468 0	6kt-Schraube ISO4017 M12x45 (10x) everp	Screw Hexagon-head ISO4017 M12x45 (10x)	Vis à tête hexagonale M12x45 (10x)	Schroef ISO4017 M12x45 (10x)
4	8 718 584 413	Scheibe ISO 7089-A13-A3K (5x) everp	Disc ISO 7089-A13-A3K (5x)	Rondelle ISO 7089-A13-A3K (5x)	Ring ISO 7089-A13-A3K (5x)
5	8 718 584 901	6kt-Mutter ISO4032 M12 8 A3K (4x) everp	Nut hex ISO4032 M12 8 A3K (4 pc)	Écrou SO4032 M12 8 A3K (4x)	Moer SO4032 M12 8 A3K (4x)
6	8 718 577 239	Rohrstück DN80/PN6-DN50/PN6 L=170 verp	Pipe DN80/PN6-DN50/PN6 L=170	Élément tuyau DN80/PN6-DN50/PN6 L=170	Leidingstuk DN80/PN6-DN50/PN6 L=170
7	8 136 314 4	Dichtung DIN2690 80 PN16	Gask.KLINGERSilC4400 PN16 DN80 290/142D	Joint PN16, DN80	Gask.KLINGERSilC4400 PN16 DN80 290/142D
8	7 736 603 908	Schraube ISO 4017 M16x65 VZ (4x) everp	Screw hex. Head ISO4017 M16x65 8.8 A3K	Vis ISO 4017 M16x65 VZ	Schroef ISO 4017 M16x65 VZ
9	8 718 584 403	Scheibe ISO 7089 A17 A3K (2x) everp	Washer ISO 7089 A17 A3K (2x)	Rondelle ISO 7089 A17 A3K (2x)	Ring ISO 7089 A17 A3K (2x)
10	8 718 584 414	6kt-Mutter ISO4032 M16 8 A3K (2x) everp	Nut ISO4032 M16 8 A3K (2x)	Écrou ISO4032 M16 8 A3K (2x)	Moer ISO4032 M16 8 A3K (2x)
11	8 718 577 237	Rohrstück DN80/PN6-DN80/PN16 L=430 verp	Pipe DN80/PN6-DN80/PN16 L=430	Élément tuyau DN80/PN6-DN80/PN16 L=430	Leidingstuk DN80/PN6-DN80/PN16 L=430
12	8 919 934 5	OV RSK PN16 GG DN80 FI DIN 2501	OV non-ret.flapPN16GGDN80 fl.e DIN 2501	OV Clapet anti-retour PN16 DN80 GG	OVE Terugslagklep PN16 DN80
13	8 738 652 494	Dichtung 90x141x2mm C4400 (2x) SP	Gasket 90x141x2mm C4400 (2x) SP	Gasket 90x141x2mm C4400 (2x) SP	Gasket 90x141x2mm C4400 (2x) SP
14	8 051 110 0	KSB BOA-SuperCompact DN80 PN6/10/16	Cut-off Valve BOA-SuperCompact DN80	vanne d'arrêt BOA-SuperCompact DN80	KSB BOA-SuperCompact DN80, PN6/10/16
15	7 747 201 172	6kt-Schraube DIN601 M16x150 4.6 MU A3K	Hex h.scr.DIN601galv.16x150qual.4.6 MU A3K	6kt-Schraube DIN601 M16x150 4.6 MU A3K	
16	8 718 577 242	Rohrstück DN80/PN16-DN50/PN6 L=238,5 verp	Pipe DN80/PN16-DN50/PN6 L=238.5	Élément tuyau DN80/PN16-DN50/PN6 L=238,5	Leidingstuk DN80/PN16-DN50/PN6 L=238,5



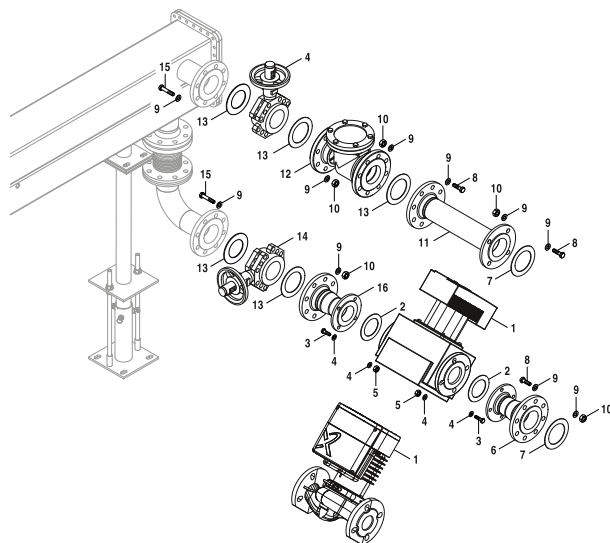
6721905125_aa_PO

		Bezeichnung	Description	Dénomination	Benaming
1	7 738 333 824	Stratos MAXO 50/0,5-12 PN6/10 (DE)	Stratos MAXO 50/0,5-12 PN6/10 (DE)	Stratos MAXO 50/0,5-12 PN6/10 (DE)	
2	7 736 603 875	Dichtung 61x95x2mm (2x) everp	Gasket 61x95x2mm	Joint 61x95x2mm	Pakking 61x95x2mm
3	8 718 575 468 0	6kt-Schraube ISO4017 M12x45 (10x) everp	Screw Hexagon-head ISO4017 M12x45 (10x)	Vis à tête hexagonale M12x45 (10x)	Schroef ISO4017 M12x45 (10x)
4	8 718 584 413	Scheibe ISO 7089-A13-A3K (5x) everp	Disc ISO 7089-A13-A3K (5x)	Rondelle ISO 7089-A13-A3K (5x)	Ring ISO 7089-A13-A3K (5x)
5	8 718 584 901	6kt-Mutter ISO4032 M12 8 A3K (4x) everp	Nut hex ISO4032 M12 8 A3K (4 pc)	Écrou SO4032 M12 8 A3K (4x)	Moer SO4032 M12 8 A3K (4x)
6	8 718 577 239	Rohrstück DN80/PN6-DN50/PN6 L=170 verp	Pipe DN80/PN6-DN50/PN6 L=170	Élément tuyau DN80/PN6-DN50/PN6 L=170	Leidingstuk DN80/PN6-DN50/PN6 L=170
7	8 136 314 4	Dichtung DIN2690 80 PN16	Gask.KLINGERSilC4400 PN16 DN80 290/142D	Joint PN16, DN80	Gask.KLINGERSilC4400 PN16 DN80 290/142D
8	7 736 603 908	Schraube ISO 4017 M16x65 VZ (4x) everp	Screw hex. Head ISO4017 M16x65 8.8 A3K	Vis ISO 4017 M16x65 VZ	Schroef ISO 4017 M16x65 VZ
9	8 718 584 403	Scheibe ISO 7089 A17 A3K (2x) everp	Washer ISO 7089 A17 A3K (2x)	Rondelle ISO 7089 A17 A3K (2x)	Ring ISO 7089 A17 A3K (2x)
10	8 718 584 414	6kt-Mutter ISO4032 M16 8 A3K (2x) everp	Nut ISO4032 M16 8 A3K (2x)	Écrou ISO4032 M16 8 A3K (2x)	Moer ISO4032 M16 8 A3K (2x)
11	8 718 577 237	Rohrstück DN80/PN6-DN80/PN16 L=430 verp	Pipe DN80/PN6-DN80/PN16 L=430	Élément tuyau DN80/PN6-DN80/PN16 L=430	Leidingstuk DN80/PN6-DN80/PN16 L=430
12	8 919 934 5	OV RSK PN16 GG DN80 FI DIN 2501	OV non-ret.flapPN16GGDN80 fl.e DIN 2501	OV Clapet anti-retour PN16 DN80 GG	OVE Terugslagklep PN16 DN80
13	8 738 652 494	Dichtung 90x141x2mm C4400 (2x) SP	Gasket 90x141x2mm C4400 (2x) SP	Gasket 90x141x2mm C4400 (2x) SP	Gasket 90x141x2mm C4400 (2x) SP
14	8 051 110 0	KSB BOA-SuperCompact DN80 PN6/10/16	Cut-off Valve BOA-SuperCompact DN80	vanne d'arrêt BOA-SuperCompact DN80	KSB BOA-SuperCompact DN80, PN6/10/16
15	7 747 201 172	6kt-Schraube DIN601 M16x150 4.6 MU A3K	Hex h.scr.DIN601galv.16x150qual.4.6 MU A3K	6kt-Schraube DIN601 M16x150 4.6 MU A3K	
16	8 718 577 242	Rohrstück DN80/PN16-DN50/PN6 L=238,5 verp	Pipe DN80/PN16-DN50/PN6 L=238,5	Élément tuyau DN80/PN16-DN50/PN6 L=238,5	Leidingstuk DN80/PN16-DN50/PN6 L=238,5



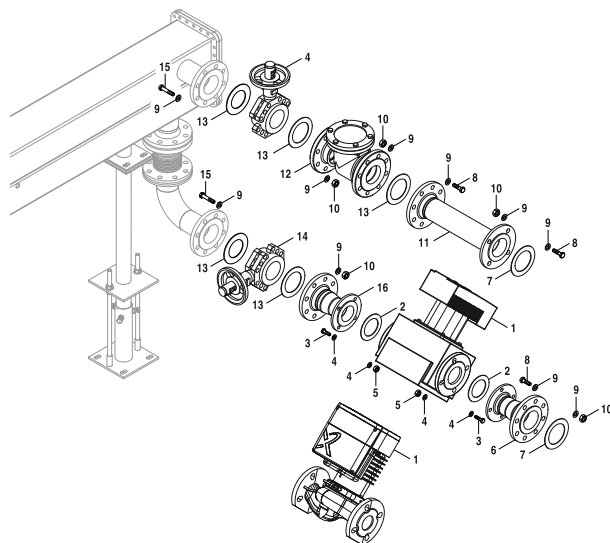
6721905125_aa_PO

		Bezeichnung	Description	Dénomination	Benaming
1	7 738 333 828	Stratos MAXO 65/0,5-9 PN6/10 (DE)	Stratos MAXO 65/0,5-9 PN6/10 (DE)	Stratos MAXO 65/0,5-9 PN6/10 (DE)	
2	8 136 304 0	Flachdichtung DIN2690 DN65 D77/115	Gasket Klingersil C4400 PN6 DN65	Joint PN6, DN65	Vladdicht. PN6 DN65 GB312/160-280
3	8 718 575 468 0	6kt-Schraube ISO4017 M12x45 (10x) everp	Screw Hexagon-head ISO4017 M12x45 (10x)	Vis à tête hexagonale M12x45 (10x)	Schroef ISO4017 M12x45 (10x)
4	8 718 584 413	Scheibe ISO 7089-A13-A3K (5x) everp	Disc ISO 7089-A13-A3K (5x)	Rondelle ISO 7089-A13-A3K (5x)	Ring ISO 7089-A13-A3K (5x)
5	8 718 584 901	6kt-Mutter ISO4032 M12 8 A3K (4x) everp	Nut hex ISO4032 M12 8 A3K (4 pc)	Écrou SO4032 M12 8 A3K (4x)	Moer SO4032 M12 8 A3K (4x)
6	8 718 577 240	Rohrstück DN80/PN6-DN65/PN6 L=170 verp	Pipe DN80/PN6-DN65/PN6 L=170	Élément tuyau DN80/PN6-DN65/PN6 L=170	Leidingstuk DN80/PN6-DN65/PN6 L=170
7	8 136 314 4	Dichtung DIN2690 80 PN16	Gask.KLINGERSilC4400 PN16 DN80 290/142D	Joint PN16, DN80	Gask.KLINGERSilC4400 PN16 DN80 290/142D
8	7 736 603 908	Schraube ISO 4017 M16x65 VZ (4x) everp	Screw hex. Head ISO4017 M16x65 8.8 A3K	Vis ISO 4017 M16x65 VZ	Schroef ISO 4017 M16x65 VZ
9	8 718 584 403	Scheibe ISO 7089 A17 A3K (2x) everp	Washer ISO 7089 A17 A3K (2x)	Rondelle ISO 7089 A17 A3K (2x)	Ring ISO 7089 A17 A3K (2x)
10	8 718 584 414	6kt-Mutter ISO4032 M16 8 A3K (2x) everp	Nut ISO4032 M16 8 A3K (2x)	Écrou ISO4032 M16 8 A3K (2x)	Moer ISO4032 M16 8 A3K (2x)
11	8 718 577 237	Rohrstück DN80/PN6-DN80/PN16 L=430 verp	Pipe DN80/PN6-DN80/PN16 L=430	Élément tuyau DN80/PN6-DN80/PN16 L=430	Leidingstuk DN80/PN6-DN80/PN16 L=430
12	8 919 934 5	OV RSK PN16 GG DN80 FI DIN 2501	OV non-ret.flapPN16GGDN80 fl.e DIN 2501	OV Clapet anti-retour PN16 DN80 GG	OVE Terugslagklep PN16 DN80
13	8 738 652 494	Dichtung 90x141x2mm C4400 (2x) SP	Gasket 90x141x2mm C4400 (2x) SP	Gasket 90x141x2mm C4400 (2x) SP	Gasket 90x141x2mm C4400 (2x) SP
14	8 051 110 0	KSB BOA-SuperCompact DN80 PN6/10/16	Cut-off Valve BOA-SuperCompact DN80	vanne d'arrêt BOA-SuperCompact DN80	KSB BOA-SuperCompact DN80, PN6/10/16
15	7 747 201 172	6kt-Schraube DIN601 M16x150 4.6 MU A3K	Hex h.scr.DIN601galv.16x150qual.4.6 MU A3K	6kt-Schraube DIN601 M16x150 4.6 MU A3K	
16	8 718 577 243	Rohrstück DN80/PN16-DN65/PN6 L=238,5 verp	Pipe DN80/PN16-DN65/PN6 L=238,5	Élément tuyau DN80/PN16-DN65/PN6 L=238,5	Leidingstuk DN80/PN16-DN65/PN6 L=238,5



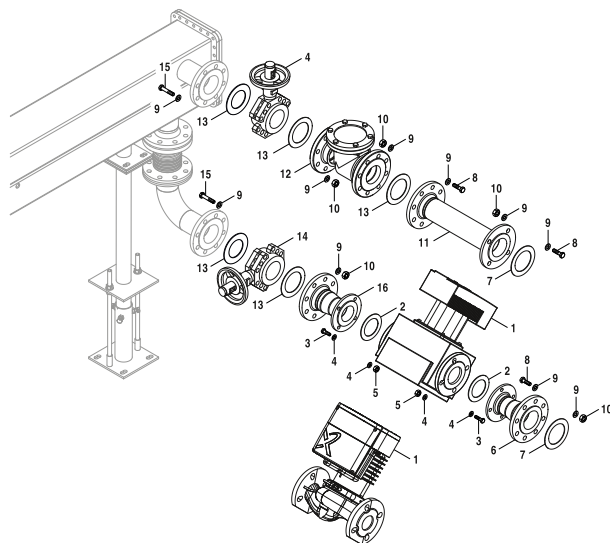
6721905125_aa_PO

		Bezeichnung	Description	Dénomination	Benaming
1	7 738 333 829	Stratos MAXO 65/0,5-12 PN6/10 (DE)	Stratos MAXO 65/0,5-12 PN6/10 (DE)	Stratos MAXO 65/0,5-12 PN6/10 (DE)	
2	8 136 304 0	Flachdichtung DIN2690 DN65 D77/115	Gasket Klingersil C4400 PN6 DN65	Joint PN6, DN65	Vladdicht. PN6 DN65 GB312/160-280
3	8 718 575 468 0	6kt-Schraube ISO4017 M12x45 (10x) everp	Screw Hexagon-head ISO4017 M12x45 (10x)	Vis à tête hexagonale M12x45 (10x)	Schroef ISO4017 M12x45 (10x)
4	8 718 584 413	Scheibe ISO 7089-A13-A3K (5x) everp	Disc ISO 7089-A13-A3K (5x)	Rondelle ISO 7089-A13-A3K (5x)	Ring ISO 7089-A13-A3K (5x)
5	8 718 584 901	6kt-Mutter ISO4032 M12 8 A3K (4x) everp	Nut hex ISO4032 M12 8 A3K (4 pc)	Écrou SO4032 M12 8 A3K (4x)	Moer SO4032 M12 8 A3K (4x)
6	8 718 577 240	Rohrstück DN80/PN6-DN65/PN6 L=170 verp	Pipe DN80/PN6-DN65/PN6 L=170	Élément tuyau DN80/PN6-DN65/PN6 L=170	Leidingstuk DN80/PN6-DN65/PN6 L=170
7	8 136 314 4	Dichtung DIN2690 80 PN16	Gask.KLINGERSilC4400 PN16 DN80 290/142D	Joint PN16, DN80	Gask.KLINGERSilC4400 PN16 DN80 290/142D
8	7 736 603 908	Schraube ISO 4017 M16x65 VZ (4x) everp	Screw hex. Head ISO4017 M16x65 8.8 A3K	Vis ISO 4017 M16x65 VZ	Schroef ISO 4017 M16x65 VZ
9	8 718 584 403	Scheibe ISO 7089 A17 A3K (2x) everp	Washer ISO 7089 A17 A3K (2x)	Rondelle ISO 7089 A17 A3K (2x)	Ring ISO 7089 A17 A3K (2x)
10	8 718 584 414	6kt-Mutter ISO4032 M16 8 A3K (2x) everp	Nut ISO4032 M16 8 A3K (2x)	Écrou ISO4032 M16 8 A3K (2x)	Moer ISO4032 M16 8 A3K (2x)
11	8 718 577 237	Rohrstück DN80/PN6-DN80/PN16 L=430 verp	Pipe DN80/PN6-DN80/PN16 L=430	Élément tuyau DN80/PN6-DN80/PN16 L=430	Leidingstuk DN80/PN6-DN80/PN16 L=430
12	8 919 934 5	OV RSK PN16 GG DN80 FI DIN 2501	OV non-ret.flapPN16GGDN80 fl.e DIN 2501	OV Clapet anti-retour PN16 DN80 GG	OVE Terugslagklep PN16 DN80
13	8 738 652 494	Dichtung 90x141x2mm C4400 (2x) SP	Gasket 90x141x2mm C4400 (2x) SP	Gasket 90x141x2mm C4400 (2x) SP	Gasket 90x141x2mm C4400 (2x) SP
14	8 051 110 0	KSB BOA-SuperCompact DN80 PN6/10/16	Cut-off Valve BOA-SuperCompact DN80	vanne d'arrêt BOA-SuperCompact DN80	KSB BOA-SuperCompact DN80, PN6/10/16
15	7 747 201 172	6kt-Schraube DIN601 M16x150 4.6 MU A3K	Hex h.scr.DIN601galv.16x150qual.4.6 MU A3K	6kt-Schraube DIN601 M16x150 4.6 MU A3K	
16	8 718 577 244	Rohrstück DN80/PN16-DN65/PN6 L=178	Pipe DN80/PN16-DN65/PN6 L=178	Élément tuyau DN80/PN16-DN65/PN6 L=178	Leidingstuk DN80/PN16-DN65/PN6 L=178



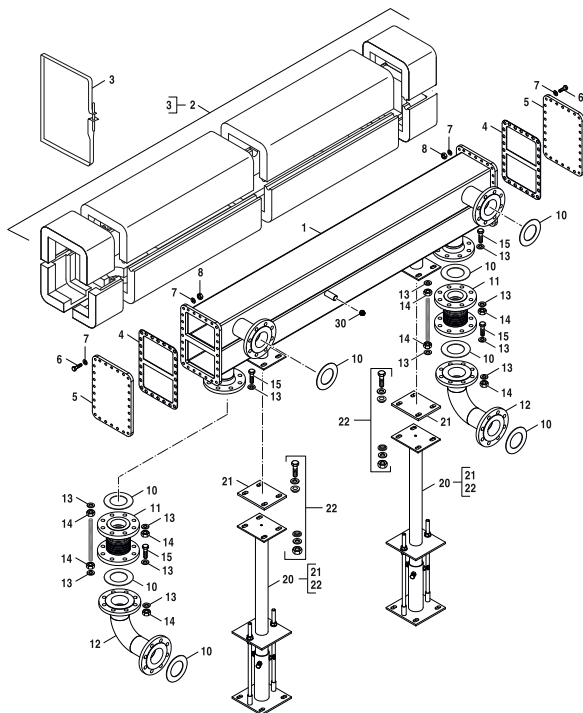
6721905125_aa_PO

		Bezeichnung	Description	Dénomination	Benaming	
1	7 738 308 989	MAGNA3 50-120 F 280 1x230V PN6/10 DE	MAGNA3 50-120 F 280 1x230V PN6/10 DE	MAGNA3 50-120 F 280 1x230V PN6/10 DE		
2	7 736 603 875	Dichtung 61x95x2mm (2x) everp	Gasket 61x95x2mm	Joint 61x95x2mm	Pakking 61x95x2mm	
3	8 718 575 468 0	6kt-Schraube ISO4017 M12x45 (10x) everp	Screw Hexagon-head ISO4017 M12x45 (10x)	Vis à tête hexagonale M12x45 (10x)	Schroef ISO4017 M12x45 (10x)	
4	8 718 584 413	Scheibe ISO 7089-A13-A3K (5x) everp	Disc ISO 7089-A13-A3K (5x)	Rondelle ISO 7089-A13-A3K (5x)	Ring ISO 7089-A13-A3K (5x)	
5	8 718 584 901	6kt-Mutter ISO4032 M12 8 A3K (4x) everp	Nut hex ISO4032 M12 8 A3K (4 pc)	Écrou SO4032 M12 8 A3K (4x)	Moer SO4032 M12 8 A3K (4x)	
6	8 718 577 239	Rohrstück DN80/PN6-DN50/ PN6 L=170 verp	Pipe DN80/PN6-DN50/PN6 L=170	Élément tuyau DN80/PN6- DN50/PN6 L=170	Leidingstuk DN80/PN6- DN50/PN6 L=170	
7	8 136 314 4	Dichtung DIN2690 80 PN16	Gask.KLINGERSilC4400 PN16 DN80 290/142D	Joint PN16, DN80	Gask.KLINGERSilC4400 PN16 DN80 290/142D	
8	7 736 603 908	Schraube ISO 4017 M16x65 VZ (4x) everp	Screw hex. Head ISO4017 M16x65 8.8 A3K	Vis ISO 4017 M16x65 VZ	Schroef ISO 4017 M16x65 VZ	
9	8 718 584 403	Scheibe ISO 7089 A17 A3K (2x) everp	Washer ISO 7089 A17 A3K (2x)	Rondelle ISO 7089 A17 A3K (2x)	Ring ISO 7089 A17 A3K (2x)	
10	8 718 584 414	6kt-Mutter ISO4032 M16 8 A3K (2x) everp	Nut ISO4032 M16 8 A3K (2x)	Écrou ISO4032 M16 8 A3K (2x)	Moer ISO4032 M16 8 A3K (2x)	
11	8 718 577 237	Rohrstück DN80/PN6-DN80/ PN16 L=430 verp	Pipe DN80/PN6-DN80/PN16 L=430	Élément tuyau DN80/PN6- DN80/PN16 L=430	Leidingstuk DN80/PN6- DN80/PN16 L=430	
12	8 919 934 5	OV RSK PN16 GG DN80 FI DIN 2501	OV non- ret.flapPN16GGDN80 fl.e DIN 2501	OV Clapet anti-retour PN16 DN80 GG	OVE Terugslagklep PN16 DN80	
13	8 738 652 494	Dichtung 90x141x2mm C4400 (2x) SP	Gasket 90x141x2mm C4400 (2x) SP	Gasket 90x141x2mm C4400 (2x) SP	Gasket 90x141x2mm C4400 (2x) SP	
14	8 051 110 0	KSB BOA-SuperCompact DN80 PN6/10/16	Cut-off Valve BOA- SuperCompact DN80	vanne d'arrêt BOA- SuperCompact DN80	KSB BOA-SuperCompact DN80, PN6/10/16	
15	7 747 201 172	6kt-Schraube DIN601 M16x150 4.6 MU A3K	Hex h.scr.DIN601galv.16x150qual 4.6 MU A3K	6kt-Schraube DIN601 M16x150 4.6 MU A3K		
16	8 718 577 242	Rohrstück DN80/PN16-DN50/ PN6 L=238,5 verp	Pipe DN80/PN16-DN50/PN6 L=238,5	Élément tuyau DN80/PN16- DN50/PN6 L=238,5	Leidingstuk DN80/PN16- DN50/PN6 L=238,5	



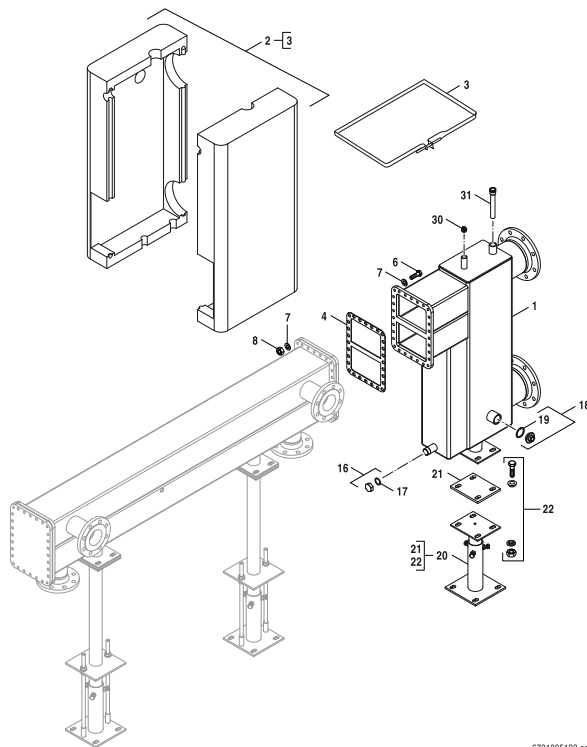
6721905125_aa_PO

		Bezeichnung	Description	Dénomination	Benaming
1	7 738 309 003	MAGNA3 65-120 F 340 1x230V PN6/10 DE	MAGNA3 65-120 F 340 1x230V PN6/10 DE	MAGNA3 65-120 F 340 1x230V PN6/10 DE	
2	8 136 304 0	Flachdichtung DIN2690 DN65 D77/115	Gasket Klingersil C4400 PN6 DN65	Joint PN6, DN65	Vlakdicht. PN6 DN65 GB312/160-280
3	8 718 575 468 0	6kt-Schraube ISO4017 M12x45 (10x) everp	Screw Hexagon-head ISO4017 M12x45 (10x)	Vis à tête hexagonale M12x45 (10x)	Schroef ISO4017 M12x45 (10x)
4	8 718 584 413	Scheibe ISO 7089-A13-A3K (5x) everp	Disc ISO 7089-A13-A3K (5x)	Rondelle ISO 7089-A13-A3K (5x)	Ring ISO 7089-A13-A3K (5x)
5	8 718 584 901	6kt-Mutter ISO4032 M12 8 A3K (4x) everp	Nut hex ISO4032 M12 8 A3K (4 pc)	Écrou SO4032 M12 8 A3K (4x)	Moer SO4032 M12 8 A3K (4x)
6	8 718 577 240	Rohrstück DN80/PN6-DN65/ PN6 L=170 verp	Pipe DN80/PN6-DN65/PN6 L=170	Élément tuyau DN80/PN6- DN65/PN6 L=170	Leidingstuk DN80/PN6- DN65/PN6 L=170
7	8 136 314 4	Dichtung DIN2690 80 PN16	Gask.KLINGERSilC4400 PN16 DN80 290/142D	Joint PN16, DN80	Gask.KLINGERSilC4400 PN16 DN80 290/142D
8	7 736 603 908	Schraube ISO 4017 M16x65 VZ (4x) everp	Screw hex. Head ISO4017 M16x65 8.8 A3K	Vis ISO 4017 M16x65 VZ	Schroef ISO 4017 M16x65 VZ
9	8 718 584 403	Scheibe ISO 7089 A17 A3K (2x) everp	Washer ISO 7089 A17 A3K (2x)	Rondelle ISO 7089 A17 A3K (2x)	Ring ISO 7089 A17 A3K (2x)
10	8 718 584 414	6kt-Mutter ISO4032 M16 8 A3K (2x) everp	Nut ISO4032 M16 8 A3K (2x)	Écrou ISO4032 M16 8 A3K (2x)	Moer ISO4032 M16 8 A3K (2x)
11	8 718 577 237	Rohrstück DN80/PN6-DN80/ PN16 L=430 verp	Pipe DN80/PN6-DN80/PN16 L=430	Élément tuyau DN80/PN6- DN80/PN16 L=430	Leidingstuk DN80/PN6- DN80/PN16 L=430
12	8 919 934 5	OV RSK PN16 GG DN80 FI DIN 2501	OV non- ret.flapPN16GGDN80 fl.e DIN 2501	OV Clapet anti-retour PN16 DN80 GG	OVE Terugslagklep PN16 DN80
13	8 738 652 494	Dichtung 90x141x2mm C4400 (2x) SP	Gasket 90x141x2mm C4400 (2x) SP	Gasket 90x141x2mm C4400 (2x) SP	Gasket 90x141x2mm C4400 (2x) SP
14	8 051 110 0	KSB BOA-SuperCompact DN80 PN6/10/16	Cut-off Valve BOA- SuperCompact DN80	vanne d'arrêt BOA- SuperCompact DN80	KSB BOA-SuperCompact DN80, PN6/10/16
15	7 747 201 172	6kt-Schraube DIN601 M16x150 4.6 MU A3K	Hex h.scr.DIN601galv.16x150qual 4.6 MU A3K	6kt-Schraube DIN601 M16x150 4.6 MU A3K	
16	8 718 577 244	Rohrstück DN80/PN16- DN65/PN6 L=178 verp	Pipe DN80/PN16-DN65/PN6 L=178	Élément tuyau DN80/PN16- DN65/PN6 L=178	Leidingstuk DN80/PN16- DN65/PN6 L=178



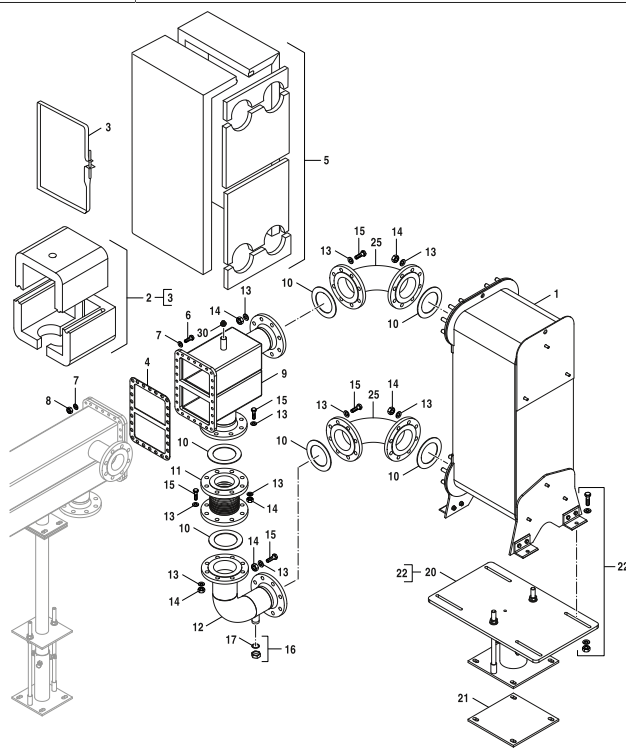
6721905122_aa_PO

		Bezeichnung	Description	Dénomination	Benaming
1	8 738 809 609	Sammler KU 300/200 Everp	Manifold plate KU 300/200	Collecteur KU 300/200	Hydroblok KU 300/200
2	8 718 577 250	Wärmeschutz Sammler Kaskade GB402 verp	Insulation manifold cascade GB402	Isolation therm. Collect., cascade GB402	Therm. isolatie collector cascade GB402
3	8 738 809 608	Spannband 1455mm	Fixing strap 1455mm	Collier de serrage 1455mm	Spanband 1455mm
4	8 738 809 610	Dichtung 357x257 KU 300/200	Gasket 357x57 KU 300/200	Joint 357x257 KU 300/200	Pakking 357x257 KU 300/200
5	8 738 809 611	Flansch 361x261 KU 300/200	Flange 361x261 KU 300/200	Bride 361x261 KU 300/200	Flens 361x261 KU 300/200
6	8 738 809 616	Schraube M10x50 (10x)	Screw M10x50 (10x)	Vis M10x50 (10x)	Schroef M10x50 (10x)
7	7 747 022 052	Scheibe ISO 7089 A10,5 A3K (10X)	Washer ISO 7089-st 10,5x2,0mm (10X)	Rondelle ISO 7089 A10,5 A3K (10X)	Onderlegring ISO 7089 A10,5 A3K (10X)
8	7 747 028 583	6kt-Mutter ISO4032 M10 8 A3K (10x) everp	Hexagon nut ISO4032 M10 8 A3K (10x)	Ecrou hexagonal ISO4032 M10 8 A3K (10x)	Zeskantmoer ISO4032 M10 8 A3K (10x)
10	8 738 652 494	Dichtung 90x141x2mm C4400 (2x) SP	Gasket 90x141x2mm C4400 (2x) SP	Gasket 90x141x2mm C4400 (2x) SP	Gasket 90x141x2mm C4400 (2x) SP
11	8 308 202 4	STENFLEX SF-10 PN16 FLA PN16 DN80	ST steel comp.SF-10 PN16 FLA PN16 DN80	STE Amortisseur vibrat. SF-10 PN16 DN80	STE Trillingscompensat. SF-10 PN16 DN80
12	8 718 577 245	Bogen 90GRD DN80/PN16 verp	Bend 90degr DN80/PN16	Coude 90GRD DN80/PN16	Bocht 90GRD DN80/PN16
13	8 718 584 403	Scheibe ISO 7089 A17 A3K (2x) everp	Washer ISO 7089 A17 A3K (2x)	Rondelle ISO 7089 A17 A3K (2x)	Ring ISO 7089 A17 A3K (2x)
14	8 718 584 414	6kt-Mutter ISO4032 M16 8 A3K (2x) everp	Nut ISO4032 M16 8 A3K (2x)	Écrou ISO4032 M16 8 A3K (2x)	Moer ISO4032 M16 8 A3K (2x)
15	7 736 603 908	Schraube ISO 4017 M16x65 VZ (4x) everp	Screw hex. Head ISO4017 M16x65 8.8 A3K	Vis ISO 4017 M16x65 VZ	Schroef ISO 4017 M16x65 VZ
20	8 738 809 614	Untergestell 930mm KU 300/200	Support frame 930mm KU 300/200	Châssis 930mm KU 300/200	Chassis 930mm KU 300/200
21	8 738 809 613	Schalldämmplatte 150x180x10	Sound insulating panel 150x180x10	Panneau d'isolation acoustique 150x180x10	Geluidsisolatieplaat 150x180x10
22	8 738 809 612	Schrauben-Set M12 (4x)	Screw kit M12 (4x)	Jeu des vis M12 (4x)	Schroevenset M12 (4x)
30	8 738 809 615	Stopfen 1/2"	Plug 1/2"	Bouchon 1/2"	Stop 1/2"



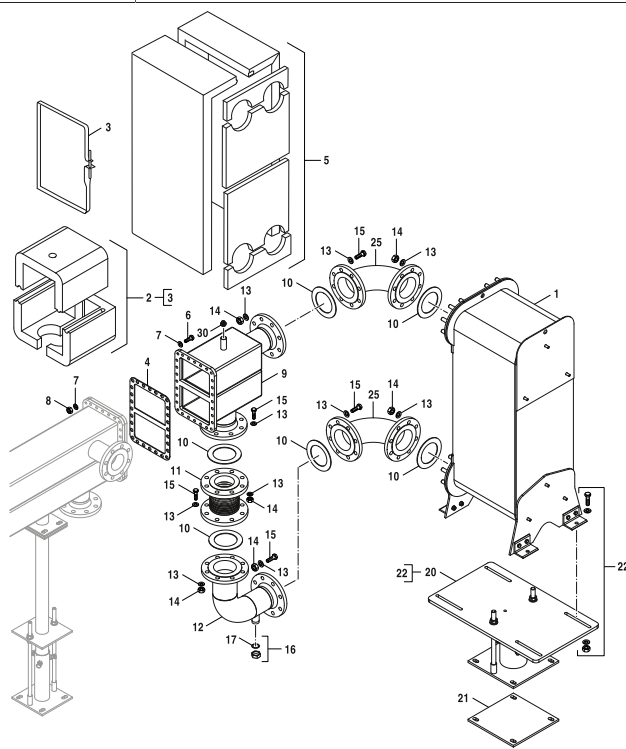
6721905123,aa,RO

		Bezeichnung	Description	Dénomination	Benaming	
1	8 738 809 617	Hydraulische Weiche	Low loss header	Bouteille mélange hydraulique	Open verdeler	
2	8 718 577 251	Wärmeschutz Weiche Kaskade GB402 verp	Insulation low loss header cascade GB402	Isol. therm. Bout mélange, cascade GB402	Therm. isolatie open verdeler GB402	
3	8 738 809 621	Spannband 1595mm	Fixing strap 1595mm	Collier de serrage 1595mm	Spanband 1595mm	
4	8 738 809 610	Dichtung 357x257 KU 300/200	Gasket 357x57 KU 300/200	Joint 357x257 KU 300/200	Pakking 357x257 KU 300/200	
6	8 738 809 616	Schraube M10x50 (10x)	Screw M10x50 (10x)	Vis M10x50 (10x)	Schroef M10x50 (10x)	
7	7 747 022 052	Scheibe ISO 7089 A10,5 A3K (10X)	Washer ISO 7089-st 10,5x2,0mm (10X)	Rondelle ISO 7089 A10,5 A3K (10X)	Onderlegging ISO 7089 A10,5 A3K (10X)	
8	7 747 028 583	6kt-Mutter ISO4032 M10 8 A3K (10x) everp	Hexagon nut ISO4032 M10 8 A3K (10x)	Ecrou hexagonal ISO4032 M10 8 A3K (10x)	Zeskantmoer ISO4032 M10 8 A3K (10x)	
16	8 738 809 622	Kappe G 1"	Cap G 1"	Capuchon G 1"	Dop G 1"	
17	8 738 809 623	Dichtung D30x4	Gasket D30x4	Joint D30x4	Pakking D30x4	
18	8 738 809 619	Kappe G 1 1/4"	Cap G 1 1/4"	Capuchon G 1 1/4"	Dop G 1 1/4"	
19	8 738 809 620	Dichtung D42x52x2	Gasket D42x52x2	Joint D42x52x2	Pakking D42x52x2	
20	8 738 809 618	Untergestell (Hydraulische Weiche)	Support frame (Low loss header)	Châssis (Bouteille mélange hydraulique)	Chassis (Open verdeler)	
21	8 738 809 613	Schalldämmplatte 150x180x10	Sound insulating panel 150x180x10	Panneau d'isolation acoustique 150x180x10	Geluidsisolatieplaat 150x180x10	
22	8 738 809 612	Schrauben-Set M12 (4x)	Screw kit M12 (4x)	Jeu des vis M12 (4x)	Schroevenset M12 (4x)	
30	8 738 809 615	Stopfen 1/2"	Plug 1/2"	Bouchon 1/2"	Stop 1/2"	
31	5 446 085	Tauchhülse R 3/4"x150mm everp	Sensor well R 3/4"x150mm long	Doigt de gant r3/4x150mm	Dompelhuls R 3/4x150 inw.19 mm	



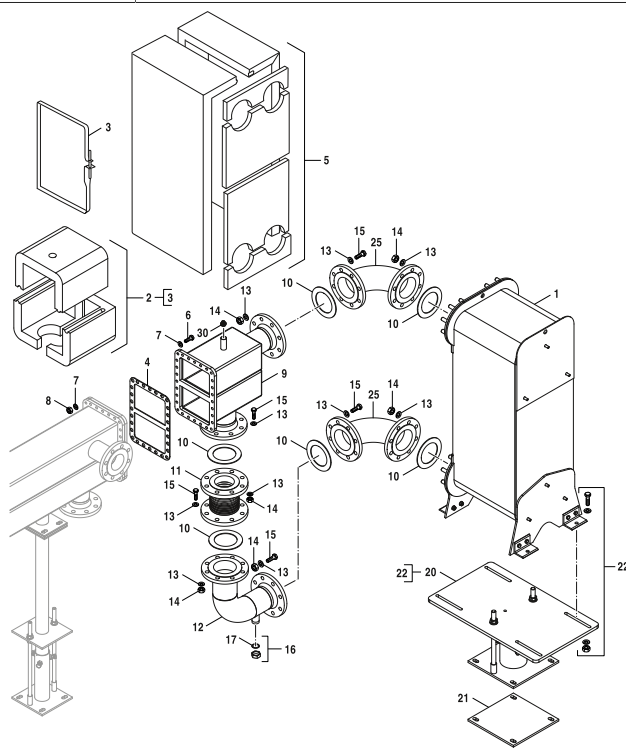
6721905124_aa_RO

		Bezeichnung	Description	Dénomination	Benaming	
1	7 738 300 413	PWT SL333-TK, 130 Platten	brazed heat exchanger 1050 kW,type SL333	Echangeur SL333-BR25-130-TK	SL333-BR16-130-TK	
2	8 718 577 252	Wärmeschutz Adapter WT Kaska GB402 verp	Insul. adaptor heat exch. cascade GB402	Adapt. d'isolation therm. WT Kaska GB402	Therm. isolatie adapter WT GB402	
3	8 738 809 608	Spannband 1455mm	Fixing strap 1455mm	Collier de serrage 1455mm	Spanband 1455mm	
4	8 738 809 610	Dichtung 357x257 KU 300/200	Gasket 357x57 KU 300/200	Joint 357x257 KU 300/200	Pakking 357x257 KU 300/200	
5	7 738 300 417	Isolierung f. SL333 bis 150 Platten	Insulation f.SL333-BR25-TK up to 150Pl.	Jaquette SL333TK jusqu'à 150 plaques	Isolatie SL333TK tot 150 platen	
6	8 738 809 616	Schraube M10x50 (10x)	Screw M10x50 (10x)	Vis M10x50 (10x)	Schroef M10x50 (10x)	
7	7 747 022 052	Scheibe ISO 7089 A10,5 A3K (10X)	Washer ISO 7089-st 10,5x2,0mm (10X)	Rondelle ISO 7089 A10,5 A3K (10X)	Onderlegring ISO 7089 A10,5 A3K (10X)	
8	7 747 028 583	6kt-Mutter ISO4032 M10 8 A3K (10x) everp	Hexagon nut ISO4032 M10 8 A3K (10x)	Écrou hexagonal ISO4032 M10 8 A3K (10x)	Zeskantmoer ISO4032 M10 8 A3K (10x)	
9	8 718 577 248	Adapter Wärmetauscher Kaskade GB402 verp	Adaptor heat exchanger cascade GB402	Adapt. pr'échang. chaleur, cascade GB402	Adapter warmtewisselaar cascade GB402	
10	8 738 658 683	Dichtung 115x162x2mm everp	Gasket 115x162x2mm SP	Joint 115x162x2mm	Pakking 115x162x2mm	
11	8 308 202 6	STENFLEX SF-10 PN16 FLA PN16 DN100	ST steel comp.SF-10 PN16 FLA PN16 DN100	STE Amortisseur vibrat. SF-10 PN16 DN100	STE Trillingscompensat. SF-10 PN16 DN100	
12	8 718 577 247	Bogen 90GRD DN100/PN16 verp	Bend 90degr DN100/PN16	Coude 90GRD DN100/PN16	Bocht 90GRD DN100/PN16	
13	8 718 584 403	Scheibe ISO 7089 A17 A3K (2x) everp	Washer ISO 7089 A17 A3K (2x)	Rondelle ISO 7089 A17 A3K (2x)	Ring ISO 7089 A17 A3K (2x)	
14	8 718 584 414	6kt-Mutter ISO4032 M16 8 A3K (2x) everp	Nut ISO4032 M16 8 A3K (2x)	Écrou ISO4032 M16 8 A3K (2x)	Moer ISO4032 M16 8 A3K (2x)	
15	7 736 603 908	Schraube ISO 4017 M16x65 VZ (4x) everp	Screw hex. Head ISO4017 M16x65 8.8 A3K	Vis ISO 4017 M16x65 VZ	Schroef ISO 4017 M16x65 VZ	
16	8 738 809 622	Kappe G 1"	Cap G 1"	Capuchon G 1"	Dop G 1"	
17	8 738 809 623	Dichtung D30x4	Gasket D30x4	Joint D30x4	Pakking D30x4	
20	8 718 577 253	Standkonsole WT Kaskade GB402 verp	Heat exchanger plinth cascade GB402	Console WT, cascade GB402	Console WT cascade GB402	
21	8 738 809 594	Schalldämmplatte 300x300x10	Sound insulating panel 300x300x10	Sound insulating panel 300x300x10	Geluidsoliatieplaat 300x300x10	
22	8 738 809 612	Schrauben-Set M12 (4x)	Screw kit M12 (4x)	Jeu des vis M12 (4x)	Schroevenset M12 (4x)	
25	8 718 577 246	Bogen 90GRD DN100/PN16 verp	Bend 90degr DN100/PN16	Coude 90GRD DN100/PN16	Bocht 90GRD DN100/PN16	
30	8 738 809 615	Stopfen 1/2"	Plug 1/2"	Bouchon 1/2"	Stop 1/2"	



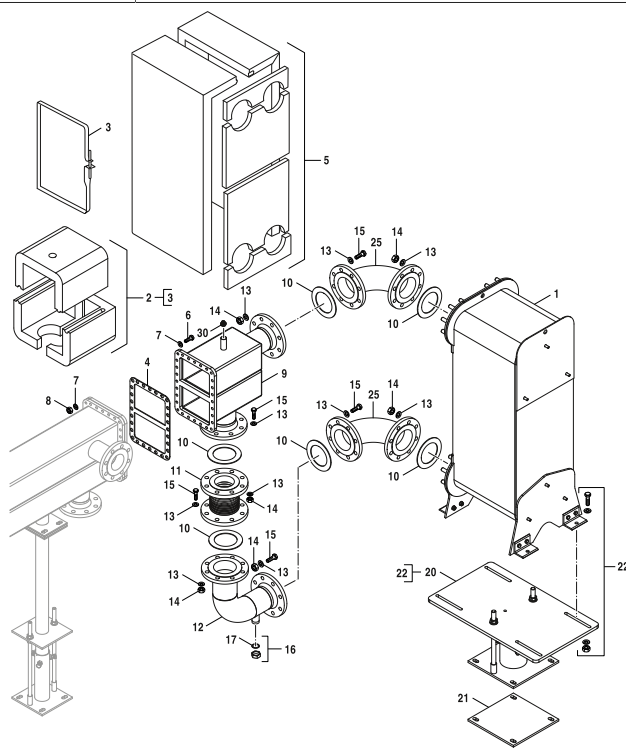
6721905124_aa_RO

		Bezeichnung	Description	Dénomination	Benaming	
1	7 738 300 414	PWT SL333-TK, 140 Platten	brazed heat exchanger 1125 kW,type SL333	Echangeur SL333-BR25-140-TK	SL333-BR16-140-TK	
2	8 718 577 252	Wärmeschutz Adapter WT Kaska GB402 verp	Insul. adaptor heat exch. cascade GB402	Adapt. d'isolation therm. WT Kaska GB402	Therm. isolatie adapter WT GB402	
3	8 738 809 608	Spannband 1455mm	Fixing strap 1455mm	Collier de serrage 1455mm	Spanband 1455mm	
4	8 738 809 610	Dichtung 357x257 KU 300/200	Gasket 357x57 KU 300/200	Joint 357x257 KU 300/200	Pakking 357x257 KU 300/200	
5	7 738 300 417	Isolierung f. SL333 bis 150 Platten	Insulation f.SL333-BR25-TK up to 150Pl.	Jaquette SL333TK jusqu'à 150 plaques	Isolatie SL333TK tot 150 platen	
6	8 738 809 616	Schraube M10x50 (10x)	Screw M10x50 (10x)	Vis M10x50 (10x)	Schroef M10x50 (10x)	
7	7 747 022 052	Scheibe ISO 7089 A10,5 A3K (10X)	Washer ISO 7089-st 10,5x2,0mm (10X)	Rondelle ISO 7089 A10,5 A3K (10X)	Onderlegring ISO 7089 A10,5 A3K (10X)	
8	7 747 028 583	6kt-Mutter ISO4032 M10 8 A3K (10x) everp	Hexagon nut ISO4032 M10 8 A3K (10x)	Ecrou hexagonal ISO4032 M10 8 A3K (10x)	Zeskantmoer ISO4032 M10 8 A3K (10x)	
9	8 718 577 248	Adapter Wärmetauscher Kaskade GB402 verp	Adaptor heat exchanger cascade GB402	Adapt. pr'échang. chaleur, cascade GB402	Adapter warmtewisselaar cascade GB402	
10	8 738 658 683	Dichtung 115x162x2mm everp	Gasket 115x162x2mm SP	Joint 115x162x2mm	Pakking 115x162x2mm	
11	8 308 202 6	STENFLEX SF-10 PN16 FLA PN16 DN100	ST steel comp.SF-10 PN16 FLA PN16 DN100	STE Amortisseur vibrat. SF-10 PN16 DN100	STE Trillingscompensat. SF-10 PN16 DN100	
12	8 718 577 247	Bogen 90GRD DN100/PN16 verp	Bend 90degr DN100/PN16	Coude 90GRD DN100/PN16	Bocht 90GRD DN100/PN16	
13	8 718 584 403	Scheibe ISO 7089 A17 A3K (2x) everp	Washer ISO 7089 A17 A3K (2x)	Rondelle ISO 7089 A17 A3K (2x)	Ring ISO 7089 A17 A3K (2x)	
14	8 718 584 414	6kt-Mutter ISO4032 M16 8 A3K (2x) everp	Nut ISO4032 M16 8 A3K (2x)	Écrou ISO4032 M16 8 A3K (2x)	Moer ISO4032 M16 8 A3K (2x)	
15	7 736 603 908	Schraube ISO 4017 M16x65 VZ (4x) everp	Screw hex. Head ISO4017 M16x65 8.8 A3K	Vis ISO 4017 M16x65 VZ	Schroef ISO 4017 M16x65 VZ	
16	8 738 809 622	Kappe G 1"	Cap G 1"	Capuchon G 1"	Dop G 1"	
17	8 738 809 623	Dichtung D30x4	Gasket D30x4	Joint D30x4	Pakking D30x4	
20	8 718 577 253	Standkonsole WT Kaskade GB402 verp	Heat exchanger plinth cascade GB402	Console WT, cascade GB402	Console WT cascade GB402	
21	8 738 809 594	Schalldämmplatte 300x300x10	Sound insulating panel 300x300x10	Sound insulating panel 300x300x10	Geluidsoliatieplaat 300x300x10	
22	8 738 809 612	Schrauben-Set M12 (4x)	Screw kit M12 (4x)	Jeu des vis M12 (4x)	Schroevenset M12 (4x)	
25	8 718 577 246	Bogen 90GRD DN100/PN16 verp	Bend 90degr DN100/PN16	Coude 90GRD DN100/PN16	Bocht 90GRD DN100/PN16	
30	8 738 809 615	Stopfen 1/2"	Plug 1/2"	Bouchon 1/2"	Stop 1/2"	



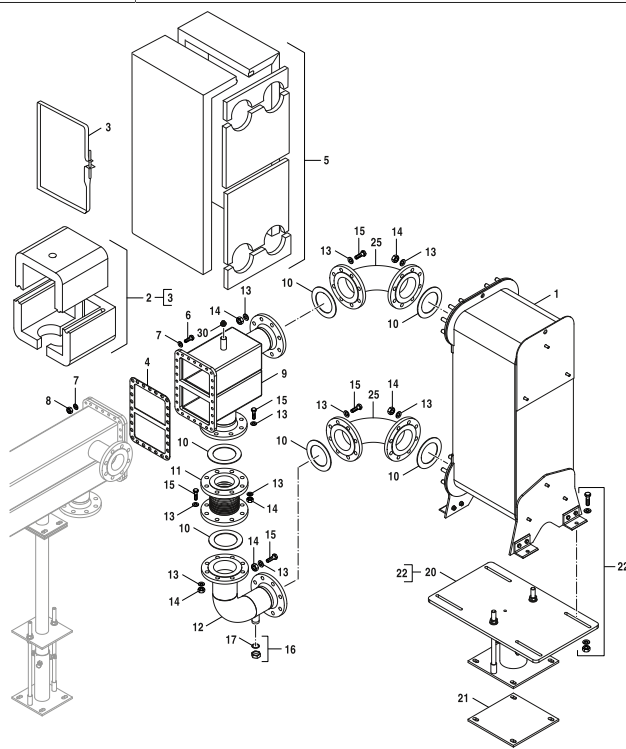
6721905124_aa_RO

		Bezeichnung	Description	Dénomination	Benaming
1	7 738 300 415	PWT SL333-TK, 150 Platten	brazed heat exchanger 1240 kW,type SL333	Echangeur SL333-BR25-150-TK	SL333-BR16-150-TK
2	8 718 577 252	Wärmeschutz Adapter WT Kaska GB402 verp	Insul. adaptor heat exch. cascade GB402	Adapt. d'isolation therm. WT Kaska GB402	Therm. isolatie adapter WT GB402
3	8 738 809 608	Spannband 1455mm	Fixing strap 1455mm	Collier de serrage 1455mm	Spanband 1455mm
4	8 738 809 610	Dichtung 357x257 KU 300/200	Gasket 357x57 KU 300/200	Joint 357x257 KU 300/200	Pakking 357x257 KU 300/200
5	7 738 300 417	Isolierung f. SL333 bis 150 Platten	Insulation f.SL333-BR25-TK up to 150Pl.	Jaquette SL333TK jusqu'à 150 plaques	Isolatie SL333TK tot 150 platen
6	8 738 809 616	Schraube M10x50 (10x)	Screw M10x50 (10x)	Vis M10x50 (10x)	Schroef M10x50 (10x)
7	7 747 022 052	Scheibe ISO 7089 A10,5 A3K (10X)	Washer ISO 7089-st 10,5x2,0mm (10X)	Rondelle ISO 7089 A10,5 A3K (10X)	Onderlegring ISO 7089 A10,5 A3K (10X)
8	7 747 028 583	6kt-Mutter ISO4032 M10 8 A3K (10x) everp	Hexagon nut ISO4032 M10 8 A3K (10x)	Écrou hexagonal ISO4032 M10 8 A3K (10x)	Zeskantmoer ISO4032 M10 8 A3K (10x)
9	8 718 577 248	Adapter Wärmetauscher Kaskade GB402 verp	Adaptor heat exchanger cascade GB402	Adapt. pr'échang. chaleur, cascade GB402	Adapter warmtewisselaar cascade GB402
10	8 738 658 683	Dichtung 115x162x2mm everp	Gasket 115x162x2mm SP	Joint 115x162x2mm	Pakking 115x162x2mm
11	8 308 202 6	STENFLEX SF-10 PN16 FLA PN16 DN100	ST steel comp.SF-10 PN16 FLA PN16 DN100	STE Amortisseur vibrat. SF-10 PN16 DN100	STE Trillingscompensat. SF-10 PN16 DN100
12	8 718 577 247	Bogen 90GRD DN100/PN16 verp	Bend 90degr DN100/PN16	Coude 90GRD DN100/PN16	Bocht 90GRD DN100/PN16
13	8 718 584 403	Scheibe ISO 7089 A17 A3K (2x) everp	Washer ISO 7089 A17 A3K (2x)	Rondelle ISO 7089 A17 A3K (2x)	Ring ISO 7089 A17 A3K (2x)
14	8 718 584 414	6kt-Mutter ISO4032 M16 8 A3K (2x) everp	Nut ISO4032 M16 8 A3K (2x)	Écrou ISO4032 M16 8 A3K (2x)	Moer ISO4032 M16 8 A3K (2x)
15	7 736 603 908	Schraube ISO 4017 M16x65 VZ (4x) everp	Screw hex. Head ISO4017 M16x65 8.8 A3K	Vis ISO 4017 M16x65 VZ	Schroef ISO 4017 M16x65 VZ
16	8 738 809 622	Kappe G 1"	Cap G 1"	Capuchon G 1"	Dop G 1"
17	8 738 809 623	Dichtung D30x4	Gasket D30x4	Joint D30x4	Pakking D30x4
20	8 718 577 253	Standkonsole WT Kaskade GB402 verp	Heat exchanger plinth cascade GB402	Console WT, cascade GB402	Console WT cascade GB402
21	8 738 809 594	Schalldämmplatte 300x300x10	Sound insulating panel 300x300x10	Sound insulating panel 300x300x10	Geluidsoliatieplaat 300x300x10
22	8 738 809 612	Schrauben-Set M12 (4x)	Screw kit M12 (4x)	Jeu des vis M12 (4x)	Schroevenset M12 (4x)
25	8 718 577 246	Bogen 90GRD DN100/PN16 verp	Bend 90degr DN100/PN16	Coude 90GRD DN100/PN16	Bocht 90GRD DN100/PN16
30	8 738 809 615	Stopfen 1/2"	Plug 1/2"	Bouchon 1/2"	Stop 1/2"



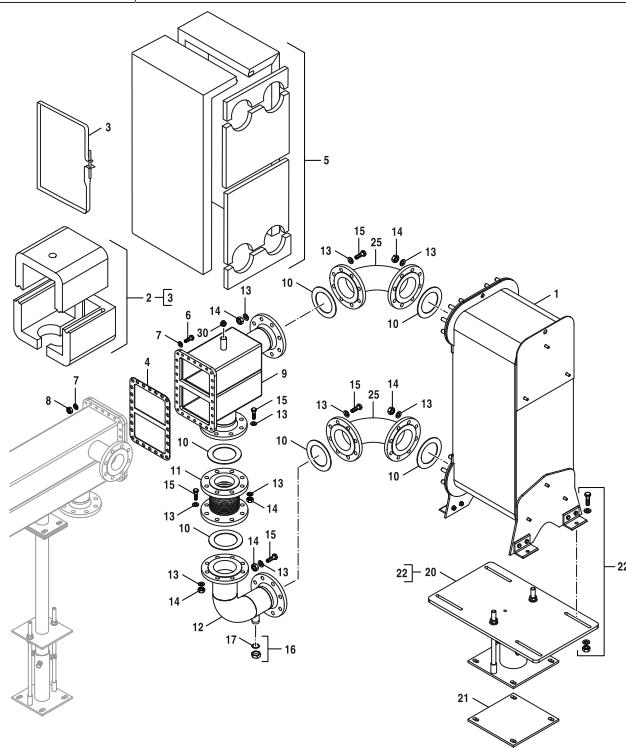
6721905124_aa_RO

		Bezeichnung	Description	Dénomination	Benaming	
1	7 738 300 409	PWT SL333-TK, 70 Platten	brazed heat exchanger 600 kW, type SL333	Echangeur SL333-BR25-70-TK	SL333-BR16-70-TK	
2	8 718 577 252	Wärmeschutz Adapter WT Kaska GB402 verp	Insul. adaptor heat exch. cascade GB402	Adapt. d'isolation therm. WT Kaska GB402	Therm. isolatie adapter WT GB402	
3	8 738 809 608	Spannband 1455mm	Fixing strap 1455mm	Collier de serrage 1455mm	Spanband 1455mm	
4	8 738 809 610	Dichtung 357x257 KU 300/200	Gasket 357x57 KU 300/200	Joint 357x257 KU 300/200	Pakking 357x257 KU 300/200	
5	7 747 221 820	Isolierung f. SL333 bis 80 Platten	Insulation f.SL333-BR25-TK up to 80Pl.	Jaquette SL333TK jusqu'à 80 plaques	Isolatie SL333TK tot 80 platen	
6	8 738 809 616	Schraube M10x50 (10x)	Screw M10x50 (10x)	Vis M10x50 (10x)	Schroef M10x50 (10x)	
7	7 747 022 052	Scheibe ISO 7089 A10,5 A3K (10X)	Washer ISO 7089-st 10,5x2,0mm (10X)	Rondelle ISO 7089 A10,5 A3K (10X)	Onderlegring ISO 7089 A10,5 A3K (10X)	
8	7 747 028 583	6kt-Mutter ISO4032 M10 8 A3K (10x) everp	Hexagon nut ISO4032 M10 8 A3K (10x)	Écrou hexagonal ISO4032 M10 8 A3K (10x)	Zeskantmoer ISO4032 M10 8 A3K (10x)	
9	8 718 577 248	Adapter Wärmetauscher Kaskade GB402 verp	Adaptor heat exchanger cascade GB402	Adapt. pr'échang. chaleur, cascade GB402	Adapter warmtewisselaar cascade GB402	
10	8 738 658 683	Dichtung 115x162x2mm everp	Gasket 115x162x2mm SP	Joint 115x162x2mm	Pakking 115x162x2mm	
11	8 308 202 6	STENFLEX SF-10 PN16 FLA PN16 DN100	ST steel comp.SF-10 PN16 FLA PN16 DN100	STE Amortisseur vibrat. SF-10 PN16 DN100	STE Trillingscompensat. SF-10 PN16 DN100	
12	8 718 577 247	Bogen 90GRD DN100/PN16 verp	Bend 90degr DN100/PN16	Coude 90GRD DN100/PN16	Bocht 90GRD DN100/PN16	
13	8 718 584 403	Scheibe ISO 7089 A17 A3K (2x) everp	Washer ISO 7089 A17 A3K (2x)	Rondelle ISO 7089 A17 A3K (2x)	Ring ISO 7089 A17 A3K (2x)	
14	8 718 584 414	6kt-Mutter ISO4032 M16 8 A3K (2x) everp	Nut ISO4032 M16 8 A3K (2x)	Écrou ISO4032 M16 8 A3K (2x)	Moer ISO4032 M16 8 A3K (2x)	
15	7 736 603 908	Schraube ISO 4017 M16x65 VZ (4x) everp	Screw hex. Head ISO4017 M16x65 8.8 A3K	Vis ISO 4017 M16x65 VZ	Schroef ISO 4017 M16x65 VZ	
16	8 738 809 622	Kappe G 1"	Cap G 1"	Capuchon G 1"	Dop G 1"	
17	8 738 809 623	Dichtung D30x4	Gasket D30x4	Joint D30x4	Pakking D30x4	
20	8 718 577 253	Standkonsole WT Kaskade GB402 verp	Heat exchanger plinth cascade GB402	Console WT, cascade GB402	Console WT cascade GB402	
21	8 738 809 594	Schalldämmplatte 300x300x10	Sound insulating panel 300x300x10	Sound insulating panel 300x300x10	Geluidsoliatieplaat 300x300x10	
22	8 738 809 612	Schrauben-Set M12 (4x)	Screw kit M12 (4x)	Jeu des vis M12 (4x)	Schroevenset M12 (4x)	
25	8 718 577 246	Bogen 90GRD DN100/PN16 verp	Bend 90degr DN100/PN16	Coude 90GRD DN100/PN16	Bocht 90GRD DN100/PN16	
30	8 738 809 615	Stopfen 1/2"	Plug 1/2"	Bouchon 1/2"	Stop 1/2"	



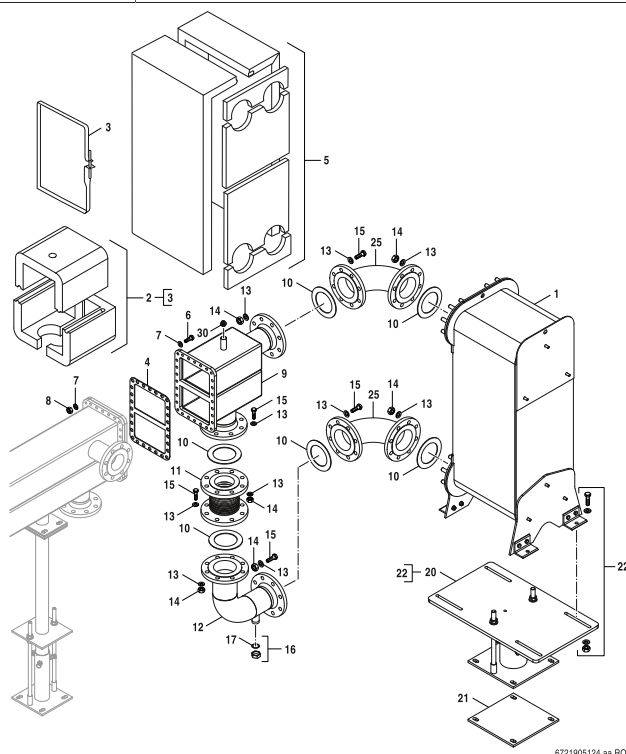
6721905124_aa_RO

		Bezeichnung	Description	Dénomination	Benaming	
1	7 747 221 819	PWT SL333-TK, 80 Platten	brazed heat exchanger 500 kW, type SL333	Echangeur SL333-BR25-80-TK	SL333-BR16-80-TK	
2	8 718 577 252	Wärmeschutz Adapter WT Kaska GB402 verp	Insul. adaptor heat exch. cascade GB402	Adapt. d'isolation therm. WT Kaska GB402	Therm. isolatie adapter WT GB402	
3	8 738 809 608	Spannband 1455mm	Fixing strap 1455mm	Collier de serrage 1455mm	Spanband 1455mm	
4	8 738 809 610	Dichtung 357x257 KU 300/200	Gasket 357x57 KU 300/200	Joint 357x257 KU 300/200	Pakking 357x257 KU 300/200	
5	7 747 221 820	Isolierung f. SL333 bis 80 Platten	Insulation f.SL333-BR25-TK up to 80Pl.	Jaquette SL333TK jusqu'à 80 plaques	Isolatie SL333TK tot 80 platen	
6	8 738 809 616	Schraube M10x50 (10x)	Screw M10x50 (10x)	Vis M10x50 (10x)	Schroef M10x50 (10x)	
7	7 747 022 052	Scheibe ISO 7089 A10,5 A3K (10X)	Washer ISO 7089-st 10,5x2,0mm (10X)	Rondelle ISO 7089 A10,5 A3K (10X)	Onderlegring ISO 7089 A10,5 A3K (10X)	
8	7 747 028 583	6kt-Mutter ISO4032 M10 8 A3K (10x) everp	Hexagon nut ISO4032 M10 8 A3K (10x)	Ecrou hexagonal ISO4032 M10 8 A3K (10x)	Zeskantmoer ISO4032 M10 8 A3K (10x)	
9	8 718 577 248	Adapter Wärmetauscher Kaskade GB402 verp	Adaptor heat exchanger cascade GB402	Adapt. pr'échang. chaleur, cascade GB402	Adapter warmtewisselaar cascade GB402	
10	8 738 658 683	Dichtung 115x162x2mm everp	Gasket 115x162x2mm SP	Joint 115x162x2mm	Pakking 115x162x2mm	
11	8 308 202 6	STENFLEX SF-10 PN16 FLA PN16 DN100	ST steel comp.SF-10 PN16 FLA PN16 DN100	STE Amortisseur vibrat. SF-10 PN16 DN100	STE Trillingscompensat. SF-10 PN16 DN100	
12	8 718 577 247	Bogen 90GRD DN100/PN16 verp	Bend 90degr DN100/PN16	Coude 90GRD DN100/PN16	Bocht 90GRD DN100/PN16	
13	8 718 584 403	Scheibe ISO 7089 A17 A3K (2x) everp	Washer ISO 7089 A17 A3K (2x)	Rondelle ISO 7089 A17 A3K (2x)	Ring ISO 7089 A17 A3K (2x)	
14	8 718 584 414	6kt-Mutter ISO4032 M16 8 A3K (2x) everp	Nut ISO4032 M16 8 A3K (2x)	Écrou ISO4032 M16 8 A3K (2x)	Moer ISO4032 M16 8 A3K (2x)	
15	7 736 603 908	Schraube ISO 4017 M16x65 VZ (4x) everp	Screw hex. Head ISO4017 M16x65 8.8 A3K	Vis ISO 4017 M16x65 VZ	Schroef ISO 4017 M16x65 VZ	
16	8 738 809 622	Kappe G 1"	Cap G 1"	Capuchon G 1"	Dop G 1"	
17	8 738 809 623	Dichtung D30x4	Gasket D30x4	Joint D30x4	Pakking D30x4	
20	8 718 577 253	Standkonsole WT Kaskade GB402 verp	Heat exchanger plinth cascade GB402	Console WT, cascade GB402	Console WT cascade GB402	
21	8 738 809 594	Schalldämmplatte 300x300x10	Sound insulating panel 300x300x10	Sound insulating panel 300x300x10	Geluidsoliatieplaat 300x300x10	
22	8 738 809 612	Schrauben-Set M12 (4x)	Screw kit M12 (4x)	Jeu des vis M12 (4x)	Schroevenset M12 (4x)	
25	8 718 577 246	Bogen 90GRD DN100/PN16 verp	Bend 90degr DN100/PN16	Coude 90GRD DN100/PN16	Bocht 90GRD DN100/PN16	
30	8 738 809 615	Stopfen 1/2"	Plug 1/2"	Bouchon 1/2"	Stop 1/2"	



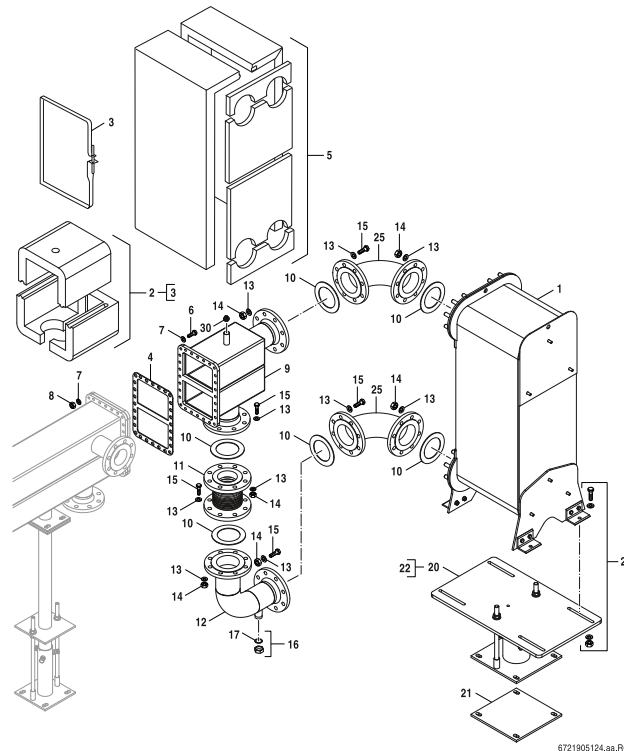
6721905124_aa_RO

		Bezeichnung	Description	Dénomination	Benaming	
1	7 738 300 410	PWT SL333-TK, 90 Platten	brazed heat exchanger 750 kW, type SL333	Echangeur SL333-BR25-90-TK	SL333-BR16-90-TK	
2	8 718 577 252	Wärmeschutz Adapter WT Kaska GB402 verp	Insul. adaptor heat exch. cascade GB402	Adapt. d'isolation therm. WT Kaska GB402	Therm. isolatie adapter WT GB402	
3	8 738 809 608	Spannband 1455mm	Fixing strap 1455mm	Collier de serrage 1455mm	Spanband 1455mm	
4	8 738 809 610	Dichtung 357x257 KU 300/200	Gasket 357x57 KU 300/200	Joint 357x257 KU 300/200	Pakking 357x257 KU 300/200	
5	7 747 220 631	Isolierung f. SL333 bis 110 Platten	Insulation f.SL333-BR25-TK up to 110Pl.	Jaquette SL333TK jusqu'à 110 plaques	Isolatie SL333TK tot 110 platen	
6	8 738 809 616	Schraube M10x50 (10x)	Screw M10x50 (10x)	Vis M10x50 (10x)	Schroef M10x50 (10x)	
7	7 747 022 052	Scheibe ISO 7089 A10,5 A3K (10X)	Washer ISO 7089-st 10,5x2,0mm (10X)	Rondelle ISO 7089 A10,5 A3K (10X)	Onderlegring ISO 7089 A10,5 A3K (10X)	
8	7 747 028 583	6kt-Mutter ISO4032 M10 8 A3K (10x) everp	Hexagon nut ISO4032 M10 8 A3K (10x)	Ecrou hexagonal ISO4032 M10 8 A3K (10x)	Zeskantmoer ISO4032 M10 8 A3K (10x)	
9	8 718 577 248	Adapter Wärmetauscher Kaskade GB402 verp	Adaptor heat exchanger cascade GB402	Adapt. pr'échang. chaleur, cascade GB402	Adapter warmtewisselaar cascade GB402	
10	8 738 658 683	Dichtung 115x162x2mm everp	Gasket 115x162x2mm SP	Joint 115x162x2mm	Pakking 115x162x2mm	
11	8 308 202 6	STENFLEX SF-10 PN16 FLA PN16 DN100	ST steel comp.SF-10 PN16 FLA PN16 DN100	STE Amortisseur vibrat. SF-10 PN16 DN100	STE Trillingscompensat. SF-10 PN16 DN100	
12	8 718 577 247	Bogen 90GRD DN100/PN16 verp	Bend 90degr DN100/PN16	Coude 90GRD DN100/PN16	Bocht 90GRD DN100/PN16	
13	8 718 584 403	Scheibe ISO 7089 A17 A3K (2x) everp	Washer ISO 7089 A17 A3K (2x)	Rondelle ISO 7089 A17 A3K (2x)	Ring ISO 7089 A17 A3K (2x)	
14	8 718 584 414	6kt-Mutter ISO4032 M16 8 A3K (2x) everp	Nut ISO4032 M16 8 A3K (2x)	Écrou ISO4032 M16 8 A3K (2x)	Moer ISO4032 M16 8 A3K (2x)	
15	7 736 603 908	Schraube ISO 4017 M16x65 VZ (4x) everp	Screw hex. Head ISO4017 M16x65 8.8 A3K	Vis ISO 4017 M16x65 VZ	Schroef ISO 4017 M16x65 VZ	
16	8 738 809 622	Kappe G 1"	Cap G 1"	Capuchon G 1"	Dop G 1"	
17	8 738 809 623	Dichtung D30x4	Gasket D30x4	Joint D30x4	Pakking D30x4	
20	8 718 577 253	Standkonsole WT Kaskade GB402 verp	Heat exchanger plinth cascade GB402	Console WT, cascade GB402	Console WT cascade GB402	
21	8 738 809 594	Schalldämmplatte 300x300x10	Sound insulating panel 300x300x10	Sound insulating panel 300x300x10	Geluidsoliatieplaat 300x300x10	
22	8 738 809 612	Schrauben-Set M12 (4x)	Screw kit M12 (4x)	Jeu des vis M12 (4x)	Schroevenset M12 (4x)	
25	8 718 577 246	Bogen 90GRD DN100/PN16 verp	Bend 90degr DN100/PN16	Coude 90GRD DN100/PN16	Bocht 90GRD DN100/PN16	
30	8 738 809 615	Stopfen 1/2"	Plug 1/2"	Bouchon 1/2"	Stop 1/2"	



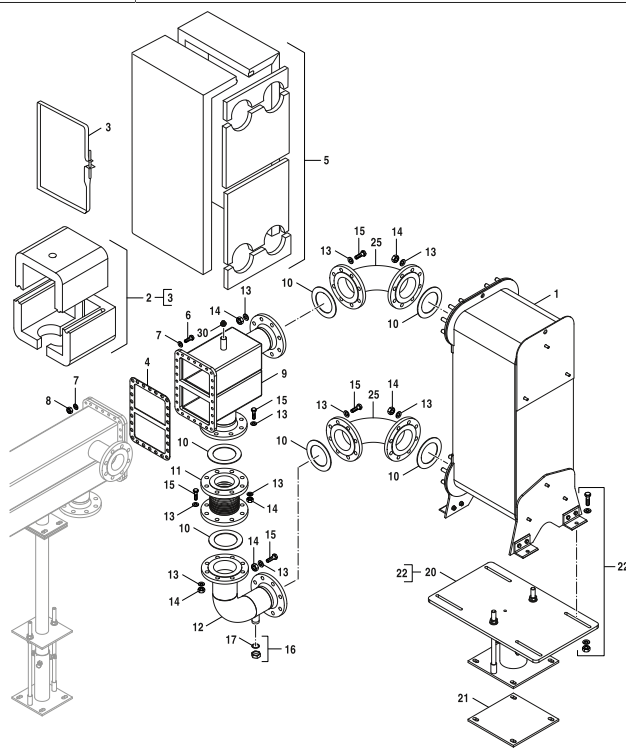
6721905124_aa_RO

		Bezeichnung	Description	Dénomination	Benaming	
1	7 738 300 411	PWT SL333-TK, 100 Platten	brazed heat exchanger 825 kW, type SL333	Echangeur SL333-BR25-100-TK	SL333-BR16-100-TK	
2	8 718 577 252	Wärmeschutz Adapter WT Kaska GB402 verp	Insul. adaptor heat exch. cascade GB402	Adapt. d'isolation therm. WT Kaska GB402	Therm. isolatie adapter WT GB402	
3	8 738 809 608	Spannband 1455mm	Fixing strap 1455mm	Collier de serrage 1455mm	Spanband 1455mm	
4	8 738 809 610	Dichtung 357x257 KU 300/200	Gasket 357x57 KU 300/200	Joint 357x257 KU 300/200	Pakking 357x257 KU 300/200	
5	7 747 220 631	Isolierung f. SL333 bis 110 Platten	Insulation f.SL333-BR25-TK up to 110Pl.	Jaquette SL333TK jusqu'à 110 plaques	Isolatie SL333TK tot 110 platen	
6	8 738 809 616	Schraube M10x50 (10x)	Screw M10x50 (10x)	Vis M10x50 (10x)	Schroef M10x50 (10x)	
7	7 747 022 052	Scheibe ISO 7089 A10,5 A3K (10X)	Washer ISO 7089-st 10,5x2,0mm (10X)	Rondelle ISO 7089 A10,5 A3K (10X)	Onderlegring ISO 7089 A10,5 A3K (10X)	
8	7 747 028 583	6kt-Mutter ISO4032 M10 8 A3K (10x) everp	Hexagon nut ISO4032 M10 8 A3K (10x)	Ecrou hexagonal ISO4032 M10 8 A3K (10x)	Zeskantmoer ISO4032 M10 8 A3K (10x)	
9	8 718 577 248	Adapter Wärmetauscher Kaskade GB402 verp	Adaptor heat exchanger cascade GB402	Adapt. pr'échang. chaleur, cascade GB402	Adapter warmtewisselaar cascade GB402	
10	8 738 658 683	Dichtung 115x162x2mm everp	Gasket 115x162x2mm SP	Joint 115x162x2mm	Pakking 115x162x2mm	
11	8 308 202 6	STENFLEX SF-10 PN16 FLA PN16 DN100	ST steel comp.SF-10 PN16 FLA PN16 DN100	STE Amortisseur vibrat. SF-10 PN16 DN100	STE Trillingscompensat. SF-10 PN16 DN100	
12	8 718 577 247	Bogen 90GRD DN100/PN16 verp	Bend 90degr DN100/PN16	Coude 90GRD DN100/PN16	Bocht 90GRD DN100/PN16	
13	8 718 584 403	Scheibe ISO 7089 A17 A3K (2x) everp	Washer ISO 7089 A17 A3K (2x)	Rondelle ISO 7089 A17 A3K (2x)	Ring ISO 7089 A17 A3K (2x)	
14	8 718 584 414	6kt-Mutter ISO4032 M16 8 A3K (2x) everp	Nut ISO4032 M16 8 A3K (2x)	Écrou ISO4032 M16 8 A3K (2x)	Moer ISO4032 M16 8 A3K (2x)	
15	7 736 603 908	Schraube ISO 4017 M16x65 VZ (4x) everp	Screw hex. Head ISO4017 M16x65 8.8 A3K	Vis ISO 4017 M16x65 VZ	Schroef ISO 4017 M16x65 VZ	
16	8 738 809 622	Kappe G 1"	Cap G 1"	Capuchon G 1"	Dop G 1"	
17	8 738 809 623	Dichtung D30x4	Gasket D30x4	Joint D30x4	Pakking D30x4	
20	8 718 577 253	Standkonsole WT Kaskade GB402 verp	Heat exchanger plinth cascade GB402	Console WT, cascade GB402	Console WT cascade GB402	
21	8 738 809 594	Schalldämmplatte 300x300x10	Sound insulating panel 300x300x10	Sound insulating panel 300x300x10	Geluidsoliatieplaat 300x300x10	
22	8 738 809 612	Schrauben-Set M12 (4x)	Screw kit M12 (4x)	Jeu des vis M12 (4x)	Schroevenset M12 (4x)	
25	8 718 577 246	Bogen 90GRD DN100/PN16 verp	Bend 90degr DN100/PN16	Coude 90GRD DN100/PN16	Bocht 90GRD DN100/PN16	
30	8 738 809 615	Stopfen 1/2"	Plug 1/2"	Bouchon 1/2"	Stop 1/2"	



6721905124_aa_RO

		Bezeichnung	Description	Dénomination	Benaming	
1	7 747 220 173	PWT SL333-TK, 110 Platten	brazed heat exchanger 600 kW, type SL333	Echangeur SL333-BR25-110-TK	SL333-BR16-110-TK	
2	8 718 577 252	Wärmeschutz Adapter WT Kaska GB402 verp	Insul. adaptor heat exch. cascade GB402	Adapt. d'isolation therm. WT Kaska GB402	Therm. isolatie adapter WT GB402	
3	8 738 809 608	Spannband 1455mm	Fixing strap 1455mm	Collier de serrage 1455mm	Spanband 1455mm	
4	8 738 809 610	Dichtung 357x257 KU 300/200	Gasket 357x57 KU 300/200	Joint 357x257 KU 300/200	Pakking 357x257 KU 300/200	
5	7 747 220 631	Isolierung f. SL333 bis 110 Platten	Insulation f.SL333-BR25-TK up to 110Pl.	Jaquette SL333TK jusqu'à 110 plaques	Isolatie SL333TK tot 110 platen	
6	8 738 809 616	Schraube M10x50 (10x)	Screw M10x50 (10x)	Vis M10x50 (10x)	Schroef M10x50 (10x)	
7	7 747 022 052	Scheibe ISO 7089 A10,5 A3K (10X)	Washer ISO 7089-st 10,5x2,0mm (10X)	Rondelle ISO 7089 A10,5 A3K (10X)	Onderlegring ISO 7089 A10,5 A3K (10X)	
8	7 747 028 583	6kt-Mutter ISO4032 M10 8 A3K (10x) everp	Hexagon nut ISO4032 M10 8 A3K (10x)	Ecrou hexagonal ISO4032 M10 8 A3K (10x)	Zeskantmoer ISO4032 M10 8 A3K (10x)	
9	8 718 577 248	Adapter Wärmetauscher Kaskade GB402 verp	Adaptor heat exchanger cascade GB402	Adapt. pr'échang. chaleur, cascade GB402	Adapter warmtewisselaar cascade GB402	
10	8 738 658 683	Dichtung 115x162x2mm everp	Gasket 115x162x2mm SP	Joint 115x162x2mm	Pakking 115x162x2mm	
11	8 308 202 6	STENFLEX SF-10 PN16 FLA PN16 DN100	ST steel comp.SF-10 PN16 FLA PN16 DN100	STE Amortisseur vibrat. SF-10 PN16 DN100	STE Trillingscompensat. SF-10 PN16 DN100	
12	8 718 577 247	Bogen 90GRD DN100/PN16 verp	Bend 90degr DN100/PN16	Coude 90GRD DN100/PN16	Bocht 90GRD DN100/PN16	
13	8 718 584 403	Scheibe ISO 7089 A17 A3K (2x) everp	Washer ISO 7089 A17 A3K (2x)	Rondelle ISO 7089 A17 A3K (2x)	Ring ISO 7089 A17 A3K (2x)	
14	8 718 584 414	6kt-Mutter ISO4032 M16 8 A3K (2x) everp	Nut ISO4032 M16 8 A3K (2x)	Écrou ISO4032 M16 8 A3K (2x)	Moer ISO4032 M16 8 A3K (2x)	
15	7 736 603 908	Schraube ISO 4017 M16x65 VZ (4x) everp	Screw hex. Head ISO4017 M16x65 8.8 A3K	Vis ISO 4017 M16x65 VZ	Schroef ISO 4017 M16x65 VZ	
16	8 738 809 622	Kappe G 1"	Cap G 1"	Capuchon G 1"	Dop G 1"	
17	8 738 809 623	Dichtung D30x4	Gasket D30x4	Joint D30x4	Pakking D30x4	
20	8 718 577 253	Standkonsole WT Kaskade GB402 verp	Heat exchanger plinth cascade GB402	Console WT, cascade GB402	Console WT cascade GB402	
21	8 738 809 594	Schalldämmplatte 300x300x10	Sound insulating panel 300x300x10	Sound insulating panel 300x300x10	Geluidsoliatieplaat 300x300x10	
22	8 738 809 612	Schrauben-Set M12 (4x)	Screw kit M12 (4x)	Jeu des vis M12 (4x)	Schroevenset M12 (4x)	
25	8 718 577 246	Bogen 90GRD DN100/PN16 verp	Bend 90degr DN100/PN16	Coude 90GRD DN100/PN16	Bocht 90GRD DN100/PN16	
30	8 738 809 615	Stopfen 1/2"	Plug 1/2"	Bouchon 1/2"	Stop 1/2"	



6721905124_aa_RO

		Bezeichnung	Description	Dénomination	Benaming	
1	7 738 300 412	PWT SL333-TK, 120 Platten	brazed heat exchanger 975 kW, type SL333	Echangeur SL333-BR25-120-TK	SL333-BR16-120-TK	
2	8 718 577 252	Wärmeschutz Adapter WT Kaska GB402 verp	Insul. adaptor heat exch. cascade GB402	Adapt. d'isolation therm. WT Kaska GB402	Therm. isolatie adapter WT GB402	
3	8 738 809 608	Spannband 1455mm	Fixing strap 1455mm	Collier de serrage 1455mm	Spanband 1455mm	
4	8 738 809 610	Dichtung 357x257 KU 300/200	Gasket 357x57 KU 300/200	Joint 357x257 KU 300/200	Pakking 357x257 KU 300/200	
5	7 738 300 417	Isolierung f. SL333 bis 150 Platten	Insulation f. SL333-BR25-TK up to 150Pl.	Jaquette SL333TK jusqu'à 150 plaques	Isolatie SL333TK tot 150 platen	
6	8 738 809 616	Schraube M10x50 (10x)	Screw M10x50 (10x)	Vis M10x50 (10x)	Schroef M10x50 (10x)	
7	7 747 022 052	Scheibe ISO 7089 A10,5 A3K (10X)	Washer ISO 7089-st 10,5x2,0mm (10X)	Rondelle ISO 7089 A10,5 A3K (10X)	Onderlegring ISO 7089 A10,5 A3K (10X)	
8	7 747 028 583	6kt-Mutter ISO4032 M10 8 A3K (10x) everp	Hexagon nut ISO4032 M10 8 A3K (10x)	Écrou hexagonal ISO4032 M10 8 A3K (10x)	Zeskantmoer ISO4032 M10 8 A3K (10x)	
9	8 718 577 248	Adapter Wärmetauscher Kaskade GB402 verp	Adaptor heat exchanger cascade GB402	Adapt. pr'échang. chaleur, cascade GB402	Adapter warmtewisselaar cascade GB402	
10	8 738 658 683	Dichtung 115x162x2mm everp	Gasket 115x162x2mm SP	Joint 115x162x2mm	Pakking 115x162x2mm	
11	8 308 202 6	STENFLEX SF-10 PN16 FLA PN16 DN100	ST steel comp. SF-10 PN16 FLA PN16 DN100	STE Amortisseur vibrat. SF-10 PN16 DN100	STE Trillingscompensat. SF-10 PN16 DN100	
12	8 718 577 247	Bogen 90GRD DN100/PN16 verp	Bend 90degr DN100/PN16	Coude 90GRD DN100/PN16	Bocht 90GRD DN100/PN16	
13	8 718 584 403	Scheibe ISO 7089 A17 A3K (2x) everp	Washer ISO 7089 A17 A3K (2x)	Rondelle ISO 7089 A17 A3K (2x)	Ring ISO 7089 A17 A3K (2x)	
14	8 718 584 414	6kt-Mutter ISO4032 M16 8 A3K (2x) everp	Nut ISO4032 M16 8 A3K (2x)	Écrou ISO4032 M16 8 A3K (2x)	Moer ISO4032 M16 8 A3K (2x)	
15	7 736 603 908	Schraube ISO 4017 M16x65 VZ (4x) everp	Screw hex. Head ISO4017 M16x65 8.8 A3K	Vis ISO 4017 M16x65 VZ	Schroef ISO 4017 M16x65 VZ	
16	8 738 809 622	Kappe G 1"	Cap G 1"	Capuchon G 1"	Dop G 1"	
17	8 738 809 623	Dichtung D30x4	Gasket D30x4	Joint D30x4	Pakking D30x4	
20	8 718 577 253	Standkonsole WT Kaskade GB402 verp	Heat exchanger plinth cascade GB402	Console WT, cascade GB402	Console WT cascade GB402	
21	8 738 809 594	Schalldämmplatte 300x300x10	Sound insulating panel 300x300x10	Sound insulating panel 300x300x10	Geluidsoliatieplaat 300x300x10	
22	8 738 809 612	Schrauben-Set M12 (4x)	Screw kit M12 (4x)	Jeu des vis M12 (4x)	Schroevenset M12 (4x)	
25	8 718 577 246	Bogen 90GRD DN100/PN16 verp	Bend 90degr DN100/PN16	Coude 90GRD DN100/PN16	Bocht 90GRD DN100/PN16	
30	8 738 809 615	Stopfen 1/2"	Plug 1/2"	Bouchon 1/2"	Stop 1/2"	

Bosch Thermotechnik GmbH
Sophienstr. 30-32
D-35576 Wetzlar / Germany

Buderus