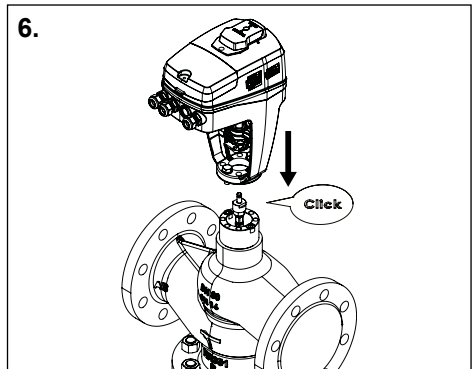
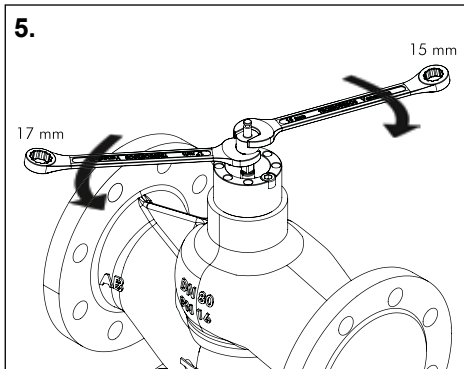
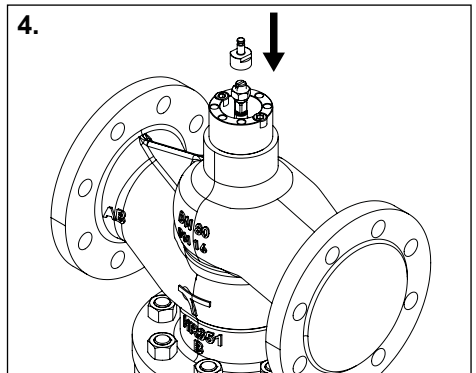
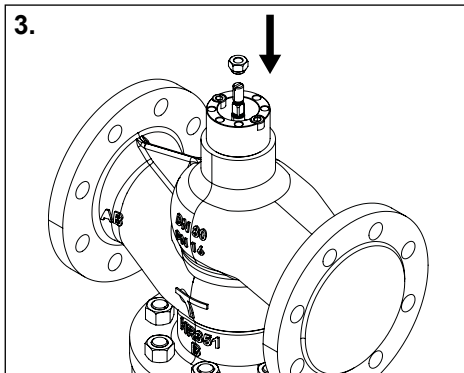
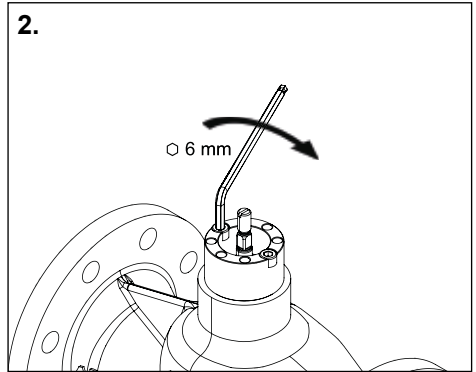
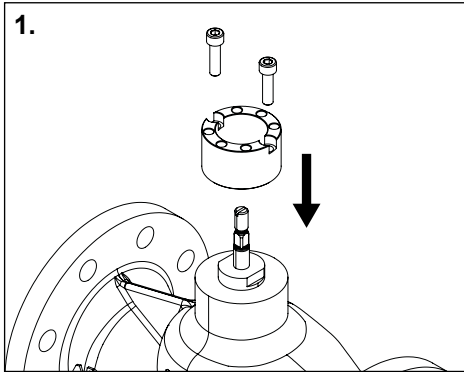


Adapter 322042-81001

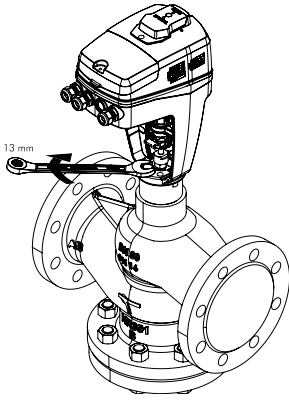
IMI TA

TA-Slider 750/1600

CVxxx GG DN 65 (30 mm) - DN 100



7.



We reserve the right to introduce technical alterations without prior notice.

climatcontrol.implc.com