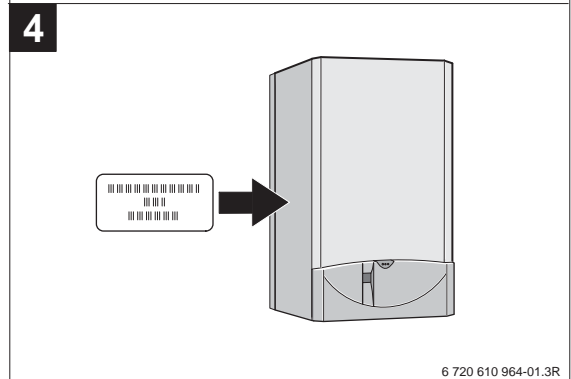
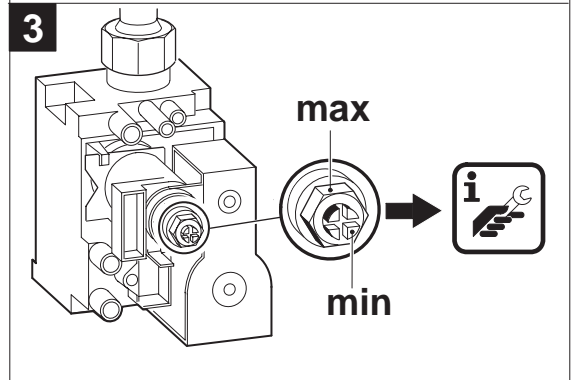
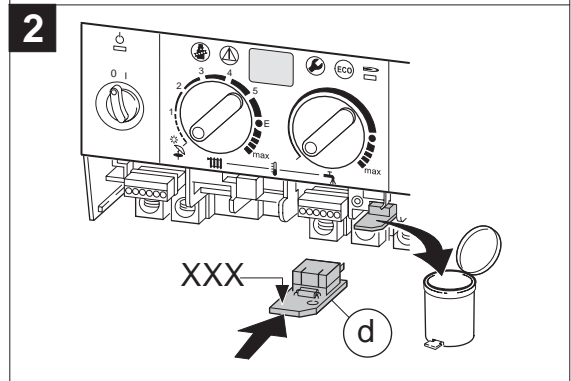
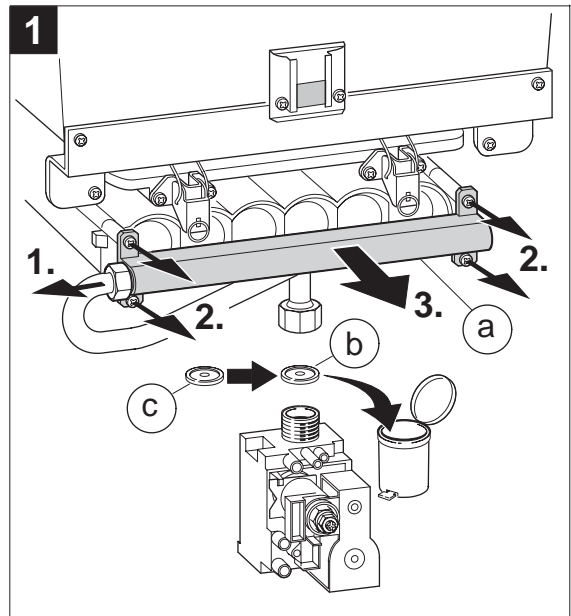


|                 |                     |                           | a | b | c | d ... xxx |
|-----------------|---------------------|---------------------------|---|---|---|-----------|
| 7 712 029 015   | Z.N 5/11-6 KE S00.. | 23/31→ 21                 | X |   |   | ... 208   |
| 7 712 039 020   | Z.N 5/11-6 KE S00.. | 21/31→ 23                 | X |   |   | ... 208   |
| 7 712 049 012   | Z.N 5/11-6 KE S00.. | 23/23→ 31                 | X |   |   | ... 210   |
| 7 710 229 034   | Z.R 18-6 KE S00..   | 23/31→ 21<br>G25.1/GZ41,5 | X |   |   | ... 135   |
|                 | Z.N 18-6 KE S00..   |                           |   |   |   | ... 187   |
|                 | Z.N 18-6 KE S50..   |                           |   |   |   | ... 187   |
|                 | Z.N 18-6 KE S53..   |                           |   |   |   | ... 187   |
| 7 710 239 101   | Z.R 18-6 KE S00..   | 21/31→ 23                 | X |   |   | ... 135   |
|                 | Z.N 18-6 KE S00..   |                           |   |   |   | ... 187   |
|                 | Z.N 18-6 KE S04..   |                           |   |   |   | ... 187   |
|                 | Z.N 18-6 KE S36..   |                           |   |   | X | ... 187   |
|                 | Z.N 18-6 KE S50..   |                           |   |   |   | ... 187   |
| 7 710 249 088   | Z.R 18-6 KE S00..   | 21/23→ 31                 | X |   |   | ... 138   |
|                 | Z.N 18-6 KE S00..   |                           |   |   |   | ... 190   |
|                 | Z.N 18-6 KE S04..   |                           |   |   |   | ... 190   |
|                 | Z.N 18-6 KE S36..   |                           |   |   | X | ... 190   |
| 7 710 229 035   | Z.R 24-6 KE S00..   | 23/31→ 21<br>G25.1/GZ41,5 | X |   |   | ... 136   |
|                 | Z.N 24-6 KE S00..   |                           |   |   |   | ... 188   |
|                 | Z.N 24-6 KE S50..   |                           |   |   |   | ... 188   |
|                 | Z.N 24-6 KE S53..   |                           |   |   |   | ... 188   |
| 7 710 239 102   | Z.R 24-6 KE S00..   | 21/31→ 23                 | X |   |   | ... 136   |
|                 | Z.N 24-6 KE S00..   |                           |   |   |   | ... 188   |
|                 | Z.N 24-6 KE S04..   |                           |   |   |   | ... 188   |
|                 | Z.N 24-6 KE S50..   |                           |   |   |   | ... 188   |
|                 | Z.N 24-6 KE S52..   |                           |   |   |   | ... 188   |
| 7 710 249 089   | Z.R 24-6 KE S00..   | 21/23→ 31                 | X |   |   | ... 139   |
|                 | Z.N 24-6 KE S00..   |                           |   |   |   | ... 191   |
|                 | Z.N 24-6 KE S04..   |                           |   |   |   | ... 191   |
|                 | Z.N 24-6 KE S07..   |                           |   |   | X | ... 192   |
|                 | Z.N 24-6 KE S36..   |                           |   |   |   | ... 191   |
|                 | Z.N 24-6 KE S50..   |                           |   |   |   | ... 191   |
| 8 719 001 002 0 | ZSN 7/11-6 AE S00.. | 23/31→ 21                 | X |   |   | ... 209   |
| 8 719 001 003 0 | ZSN 7/11-6 AE S00.. | 21/31→ 23                 | X |   |   | ... 209   |
| 8 719 001 004 0 | ZSN 7-6 AE S00..    | 21/23→ 31                 | X |   |   | ... 211   |
| 8 719 001 018 0 | Z.N 18-6 AE S00..   | 23/31→ 21                 | X |   |   | ... 129*  |
| 8 719 001019 0  | Z.N 18-6 AE S00..   | 21/31→ 23                 | X |   |   | ... 129*  |
|                 | Z.N 18-6 AE S04..   |                           |   |   |   | ... 129   |
|                 | Z.N 18-6 AE S50..   |                           |   |   |   | ... 129   |
| 8 719 001020 0  | Z.N 18-6 AE S00..   | 21/23→ 31                 | X |   |   | ... 131*  |
|                 | Z.N 18-6 AE S04..   |                           |   |   |   | ... 131   |
| 8 719 001 021 0 | Z.N 24-6 AE S00..   | 23/31→ 21                 | X |   |   | ... 130*  |
| 8 719 001 022 0 | Z.N 24-6 AE S00..   | 21/31→ 23                 | X |   |   | ... 130*  |
|                 | Z.N 24-6 AE S04..   |                           |   |   |   | ... 130   |
|                 | Z.N 24-6 AE S36..   |                           |   |   | X | ... 130   |
|                 | Z.N 24-6 AE S50..   |                           |   |   |   | ... 130   |
| 8 719 001 023 0 | Z.N 24-6 AE S00..   | 21/23→ 31                 | X |   |   | ... 132*  |
|                 | Z.N 24-6 AE S04..   |                           |   |   |   | ... 132   |
|                 | Z.N 24-6 AE S36..   |                           |   |   | X | ... 132   |
|                 | Z.N 24-6 AE S50..   |                           |   |   |   | ... 132   |
|                 | Z.N 24-6 AE S52..   |                           |   |   |   | ... 132   |
| 8 719 001036 0  | Z.N 24-6 AE S36..   | 31→ 23/5                  | X |   | X | ... 188   |
|                 | Z.N 24-6 AE S07..   |                           |   |   |   | ... 189   |
| 8 719 001 038 0 | Z.N 24-6 AE S50..   | 23/31→ 21 G25.1           | X |   |   | ... 130   |
| 8 719 001 039 0 | Z.N 18-6 AE S50..   | 23/31→ 21 G25.1           | X |   |   | ... 129   |
| 8 719 001 040 0 | Z.N 24-6 KE S53..   | 23/31→ 21 GZ35            | X |   |   | ... 188   |
| 8 719 001 051 0 | Z.N 18-6 AME S..    | 23/31→ 21                 | X |   |   | ... 133** |
| 8 719 001 052 0 | Z.N 18-6 AME S..    | 21/31→ 23                 | X |   |   | ... 133** |
| 8 719 001 053 0 | Z.N 18-6 AME S..    | 21/23→ 31                 | X |   |   | ... 137** |
| 8 719 001 054 0 | Z.N 24-6 AME S..    | 23/31→ 21                 | X |   |   | ... 134** |
| 8 719 001 055 0 | Z.N 24-6 AME S..    | 21/31→ 23                 | X |   |   | ... 134** |
| 8 719 001 056 0 | Z.N 24-6 AME S..    | 21/23→ 31                 | X |   |   | ... 140** |
| 8 719 001 059 0 | Z.N 18-6 KE S53..   | 23/31→ 21 GZ35            | X |   |   | ... 187   |



6 720 610 964-01.3R

\* Bei LAS Abgasführung ist der entsprechende Kodierstecker aus Zubehör Nr. 342 zu verwenden.

\*\* Bei LAS Abgasführung ist der entsprechende Kodierstecker aus Zubehör Nr. 352 zu verwenden.

## Wichtige Hinweise

Den Einbau des Gerates und der Zubehore darf nur ein zugelassener Fachbetrieb vornehmen.

- Installationsanleitung des Gerates und der verwendeten Zubehore beachten.

## Important Notes

The appliance and its accessories may only be fitted by an approved installer. Please also observe the following:

- Follow the installation instructions for the appliance and the accessories used.

## Indications importantes

L'installation de l'appareil et des accessoires doit ˆtre effectue par un professionnel qualifie. Veuillez respecter les points suivants :

- Observer les instructions d'installation de l'appareil et des accessoires utilises.

## Avvertenze importanti

L'installazione dell'apparecchio, e dei relativi accessori, deve essere effettuata da installatori autorizzati. Durante l'installazione degli accessori fare attenzione a quanto segue:

- Osservare le istruzioni d'installazione dell'apparecchio e degli accessori impiegati.

## Indicaciones importantes

La instalacin del aparato y el montaje de los accesorios deber realizarse por un instalador autorizado, debindose considerar que:

- Se observen las instrucciones de instalacin del aparato y de los accesorios empleados.

## Indicaoes importantes

A montagem do aparelho e dos acessrios deve ser realizada por um instalador aprovado. Para isto  vlido:

- Observar as instruoes de instalao do aparelho e dos acessrios utilizados.

## Belangrijke aanwijzing

Montage van het toestel en de toebehoren zoals rookgasafvoer/luchttoevoer materiaal dient door een erkend installateur te geschieden.

- Aanwijzing in het installatievoorschrift van het toestel en de te monteren toebehoren opvolgen.

## VIGTIG!

Monteringen af kedlen og tilbehr skal foretages af en autoriseret installatr og samtidig glder flgende:

- Venligst flg installationsvejledning for kedel og det anvendte tilbehr.

## nemli Uyarılar

Cihazların ve aksesuarların montajı mutlaka yetkili tesisatçı bayi tarafından yapılmalıdır. Bunun için :

- Cihazın ve kullanılan aksesuarların montaj kılavuzunu dikkate alınız.

## ημαντικές οδηγίες

Η εγκατάσταση της συσκευής και των εξαρτημάτων πρέπει να γίνει από έναν εξουσιοδοτημένο εγκαταστάτη. Κατά την εγκατάσταση ισχύει:

- Τηρείτε τις οδηγίες εγκατάστασης της συσκευής και των χρησιμοποιούμενων εξαρτημάτων.

## Dleit upozornenie

Montz zariadenia a prsluenstva me vykonvat spsobil servisn technik. Pritom plat:

- Dodrať intaan nvod zariadenia a pouivanho prsluenstva.

## Vzne upute

Ugradnju uređaja i pribora treba izvriti ovlateni Junkers serviser. Kod toga vrijedi slijedeće:

- Pridravati se uputa za instaliranje uređaja i primijenjenog pribora.

## Vzna opozorila

Samo pooblašeni instalater lahko vgradi aparat in dodatno opremo. Pri tem velja:

- Pazite na intalacijska navodila aparata in uporabo dodatne opreme.

## Dleit upozornn

Montz pstroje a prluenstv sm provst pouze prokolen odborn servisn pracovník, kter se mus v prpad vyadn prokzat platnm servisnm pukazem. Pi tom plat :

- Dodrte vdy nvod k instalaci a obsluze pstroje a pouitho prluenstv

## Fontos Tudnivalk!

A kszlk s a tartozkok beszerelst arra feljogostott szakemberrel kell elvgeztetni. Emellett:

- A kszlk s a felhasznlt tartozkok szerelsi utastsait be kell tartani.

## Informatii importante

Montarea aparatului si a accesorilor trebuie sa fie efectuata numai de catre un instalator autorizat. Pentru aceasta trebuie:

- Tineti cont de instructiunile de instalare ale aparatului si ale accesorilor corespunzatoare.

## Wzne wskazwki:

Montz urzdzenia i osprztu moe by wykonywany tylko przez uprawnionych instalatorw.

Jednocześnie naley:

- Przestrzega instrukcji obslugi urzdzenia i zastosowanego osprztu.

## ажные замечания:

Установка аппарата и принадлежностей должна проводиться официальными инсталляторами. При этом следует:

- Принимать во внимание инструкцию инсталлятора для аппаратов и используемых принадлежностей.