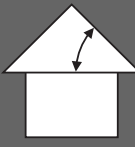
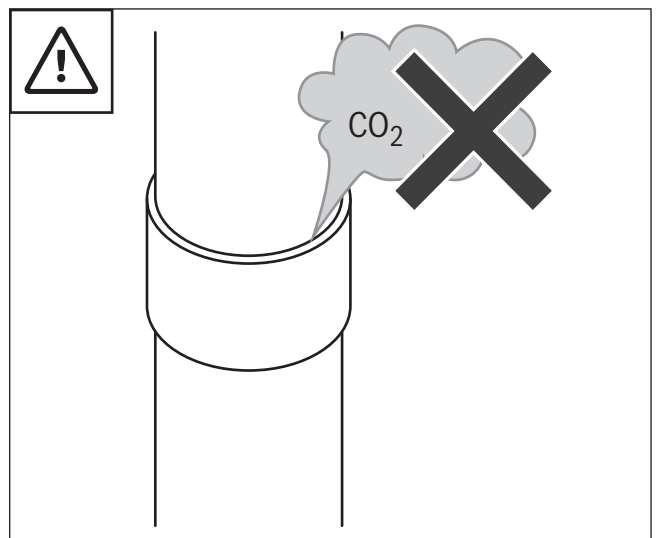
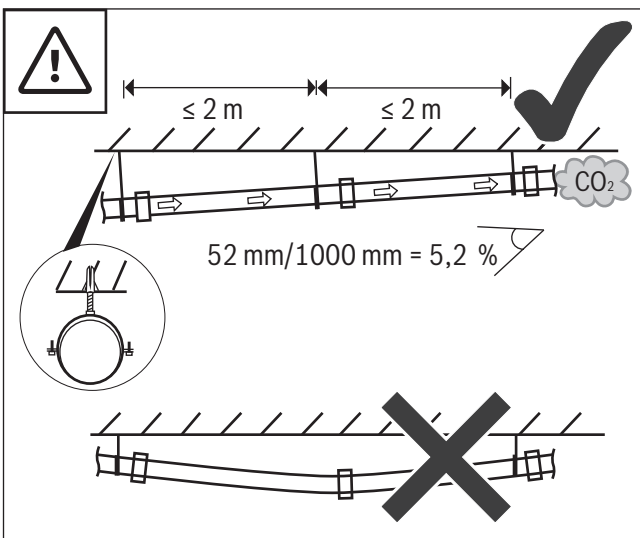
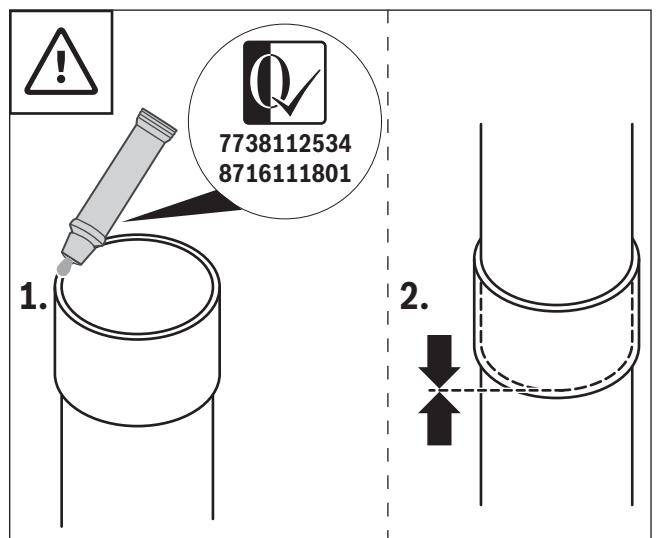
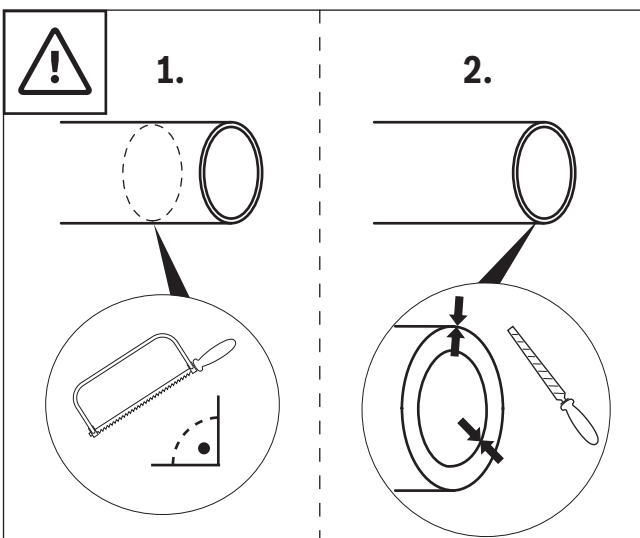
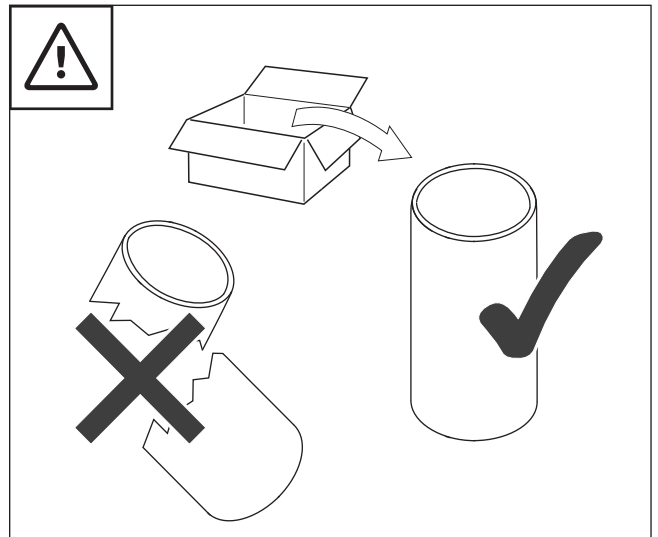
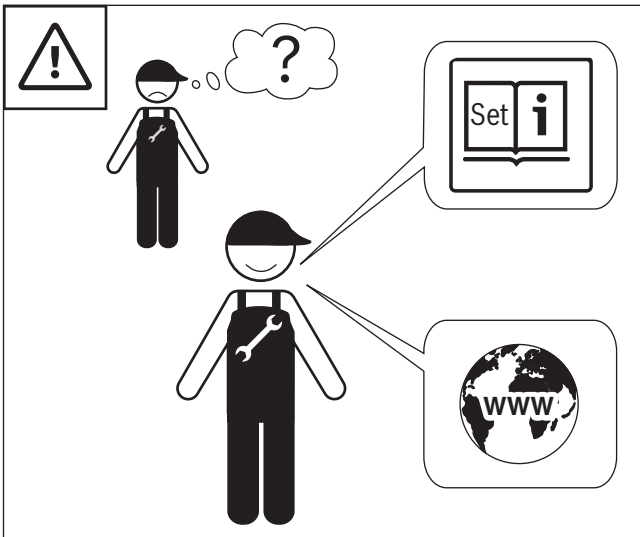


0010018473-002

1 7738112502, 7738112503

		A
7738112502	30 - 45°	Ø 80/125 mm Ø 60/100 mm
7738112503	40 - 60°	Ø 80/125 mm Ø 60/100 mm

1



0010017800-002