

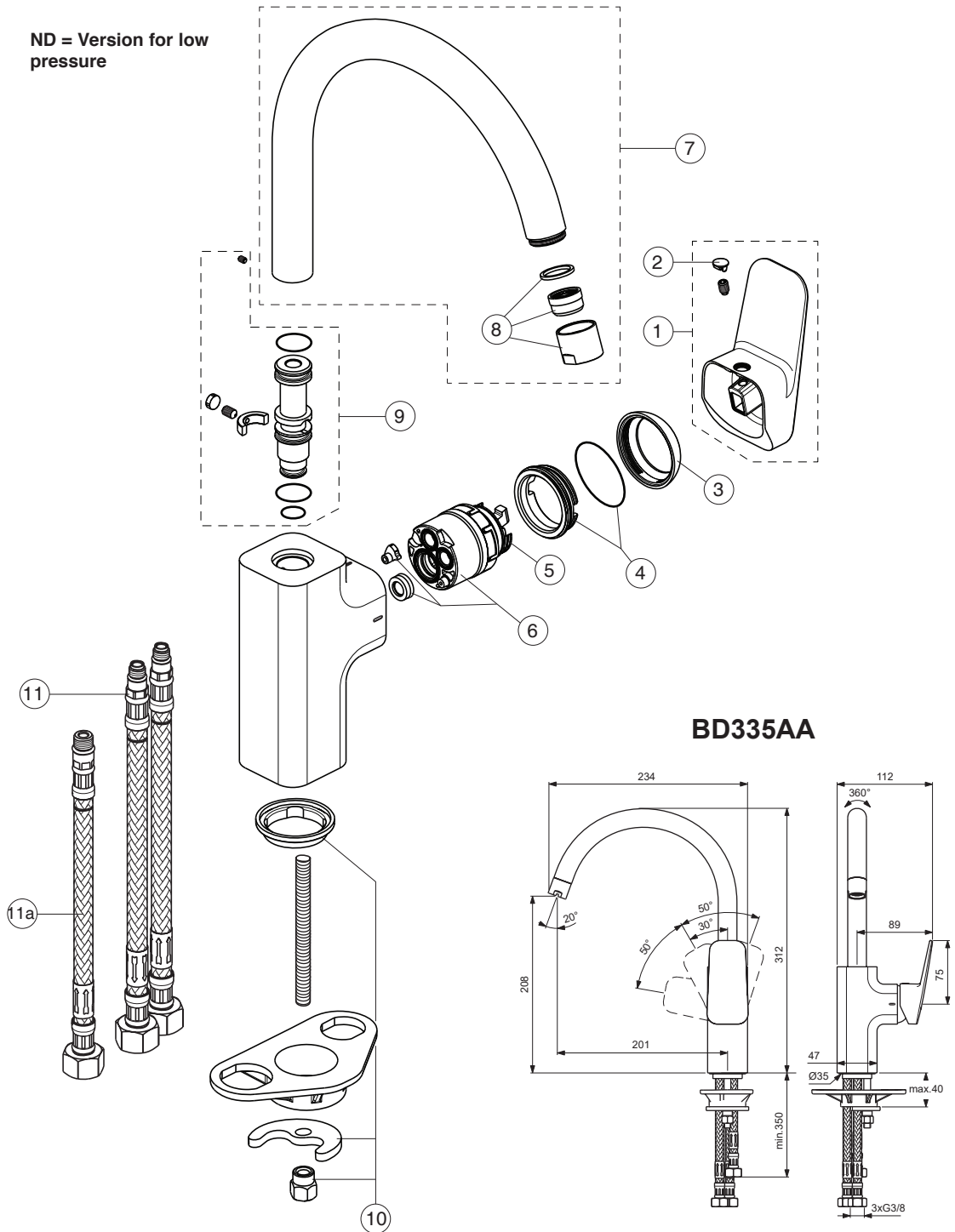


CERAPLAN

Ideal Standard



ND = Version for low pressure



BD335AA

Pos.	Signify	Spare parts-Nr.	Quantity	Pos.	Signify	Spare parts-Nr.	Quantity
1	Lever,w/logo	B961718AA	1 Set				
2	Cap decorative	B960473AA	1 Pcs.				
3	Rosette M38x1.5	B961438AA	1 Pcs.				
4	Screw M41x1.5/M38x1.5	B961374NU	1 Set				
5	Hot limit stop	A861181NU	1 Pcs.				
6	Cartridge Ø38mm	A861156NU*	1 Pcs.				
7	Tub.spout R200mm	B961744AA	1 Set				
8	Flow liner M20x1,ND	B961745AA	1 Pcs.				
9	Sealing set	B961596NU	1 Set				
10	Connecting set	A964520NU	1 Set				
11	Flex pexhose G3/8-M8x1/L500mm	A962005NU	1 Pcs.				
11a	Flex hose G3/8 /L445mm	A963600NU	1 Pcs.				