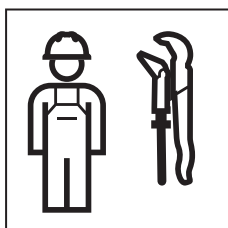
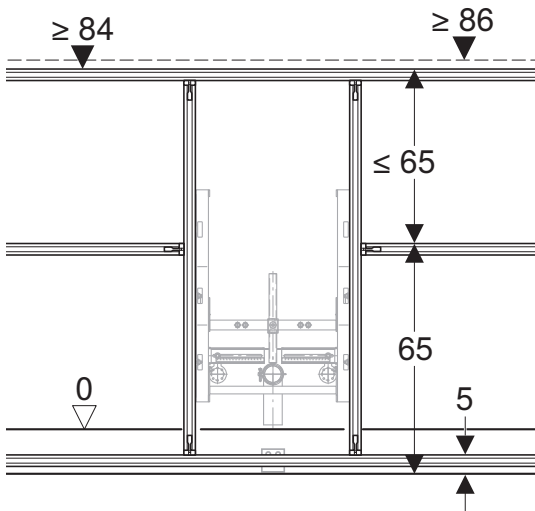
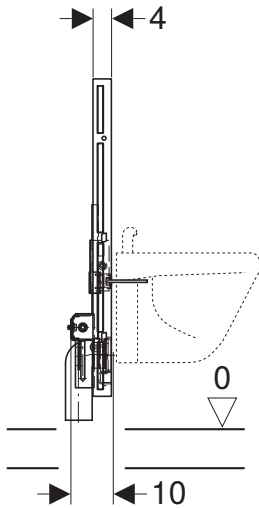
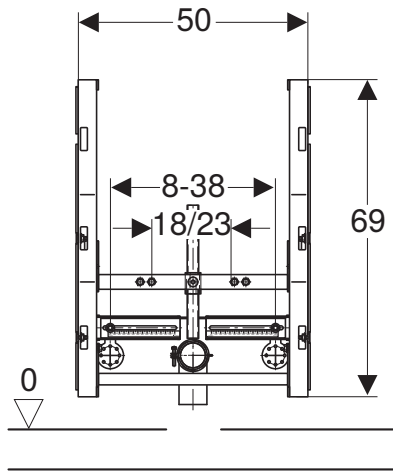


# INSTALLATION MANUAL

MONTAGEANLEITUNG  
INSTRUCTIONS DE MONTAGE  
ISTRUZIONI PER IL MONTAGGIO

**KNOW  
HOW  
INSTALLED**





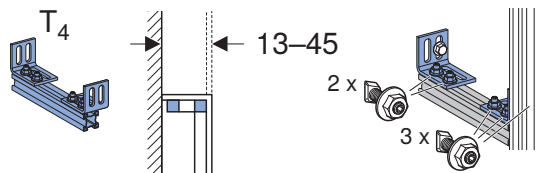
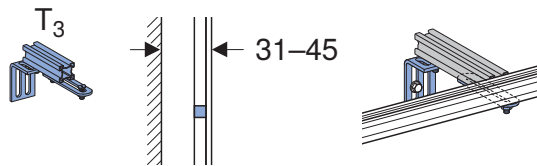
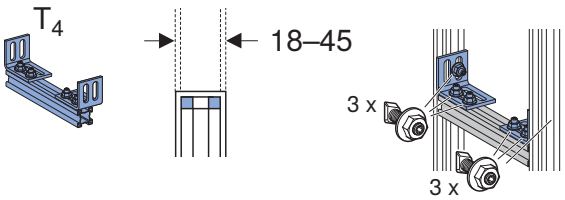
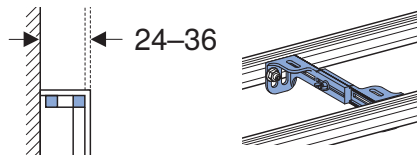
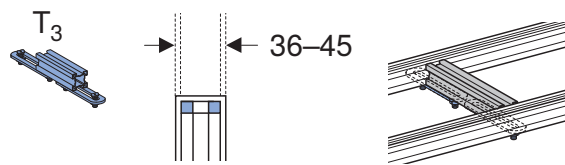
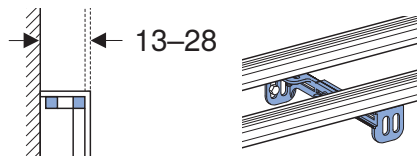
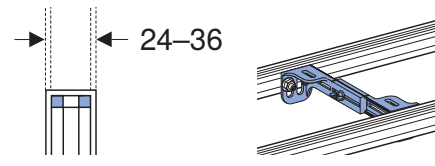
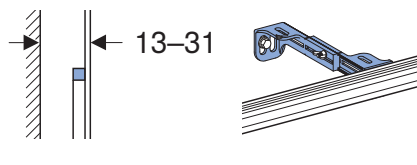
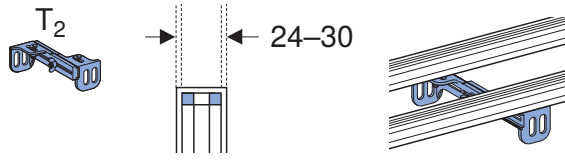
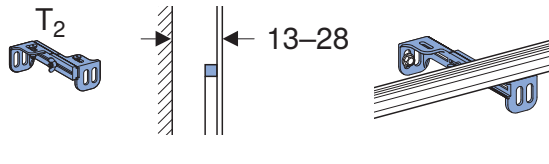
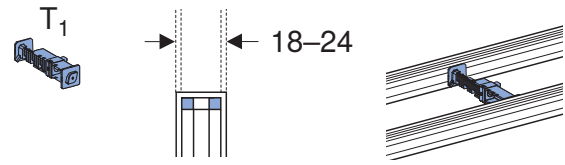
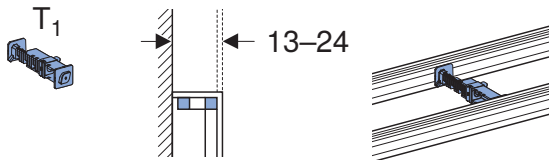
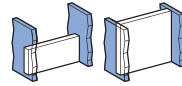
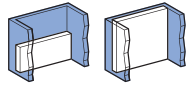


# 1

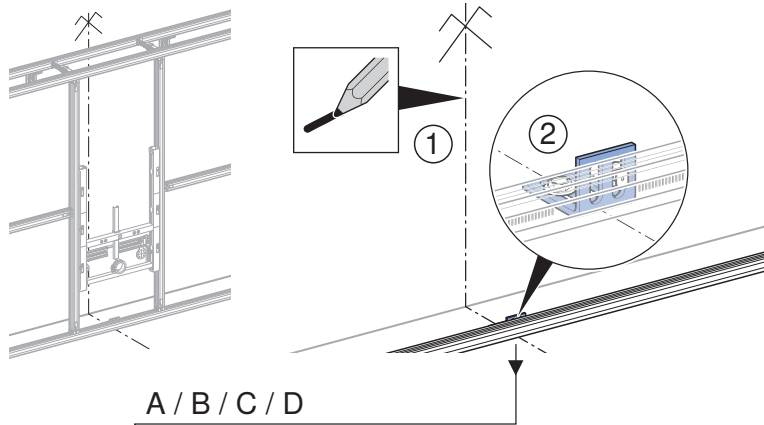


|  |       |                     |                     |       |   |
|--|-------|---------------------|---------------------|-------|---|
|  |       |                     |                     |       |   |
|  | 13-24 | 24 <sup>5</sup> -36 | 36 <sup>5</sup> -45 | 13-45 | - |
|  | 13-24 | 24 <sup>5</sup> -31 | 31 <sup>5</sup> -45 | 13-45 | - |
|  | 18-24 | 24 <sup>5</sup> -36 | 36 <sup>5</sup> -45 | 18-45 | ✓ |

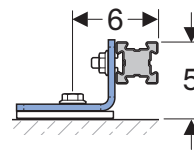
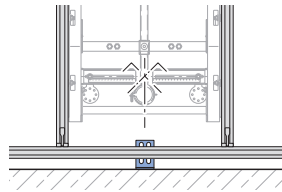
|  |                                   |                            |                            |
|--|-----------------------------------|----------------------------|----------------------------|
|  | $A \leq 62$<br>$K = 41^{+2}_{-1}$ | $A \leq 62$<br>$K = 44-52$ | $A \leq 70$<br>$K = 44-52$ |
|  |                                   |                            |                            |
|  |                                   |                            |                            |
|  |                                   |                            |                            |



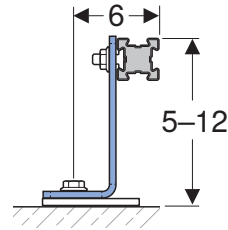
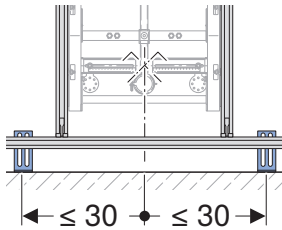
# 1



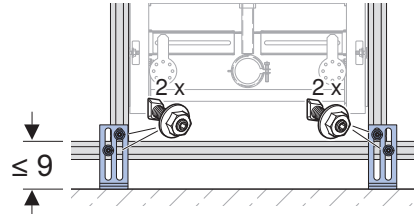
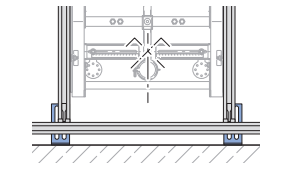
A  
75 x 55



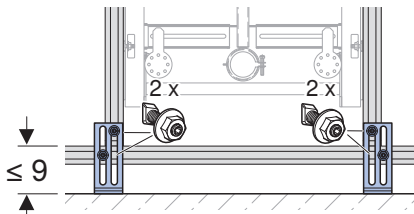
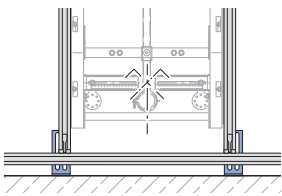
B  
12 x 55



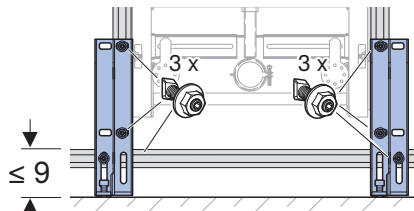
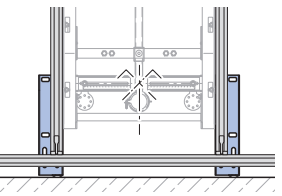
+  
12 x 55



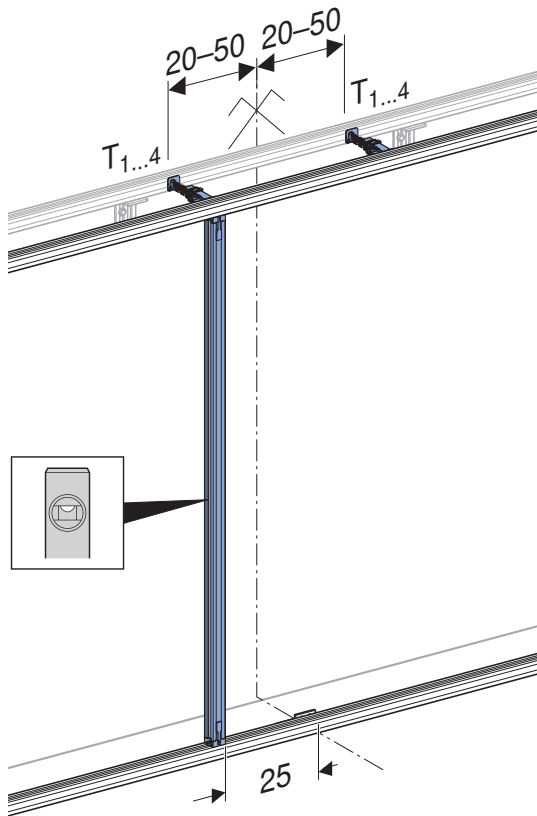
C  
13 x 13



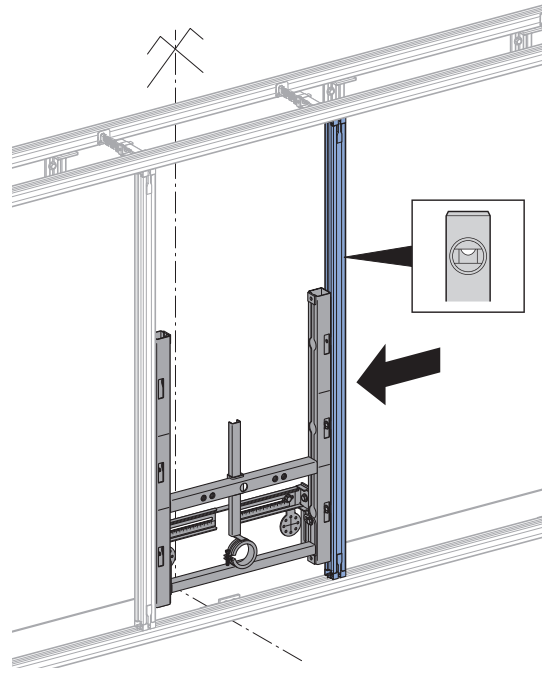
D  
H > 360 / B > 250



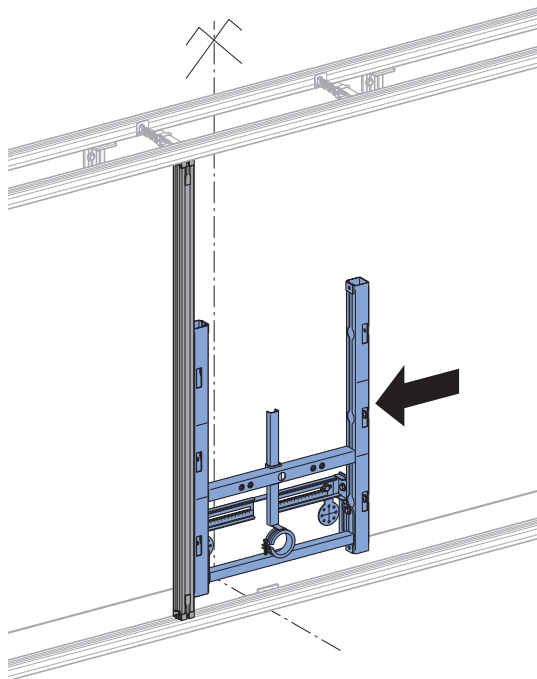
2



4

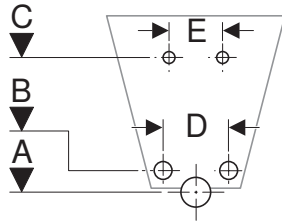


3



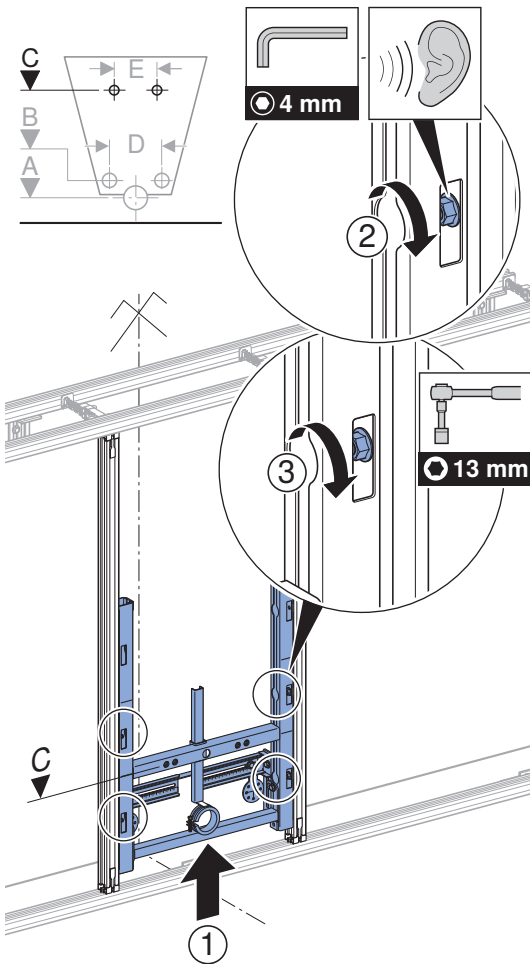
# 2

✓

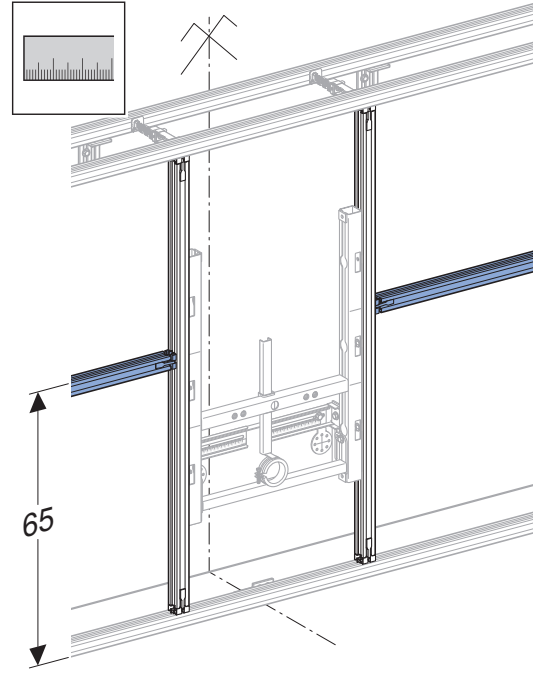


| A    | B                 | C     | D    | E     |
|------|-------------------|-------|------|-------|
| 8-25 | 7-26 <sup>7</sup> | 30-36 | 8-38 | 18/23 |

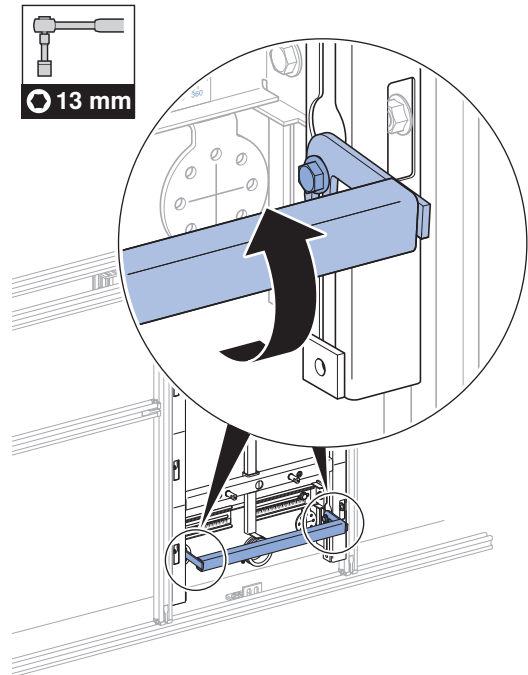
# 1



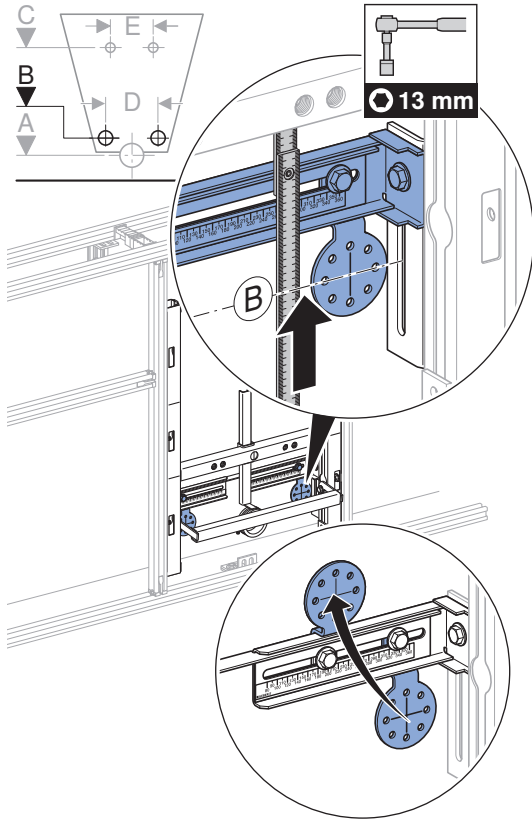
# 2



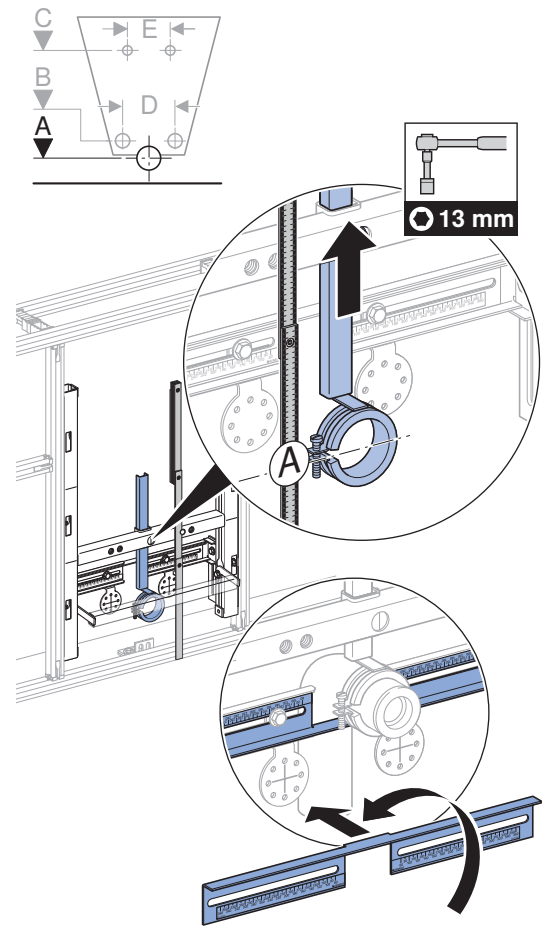
# 3



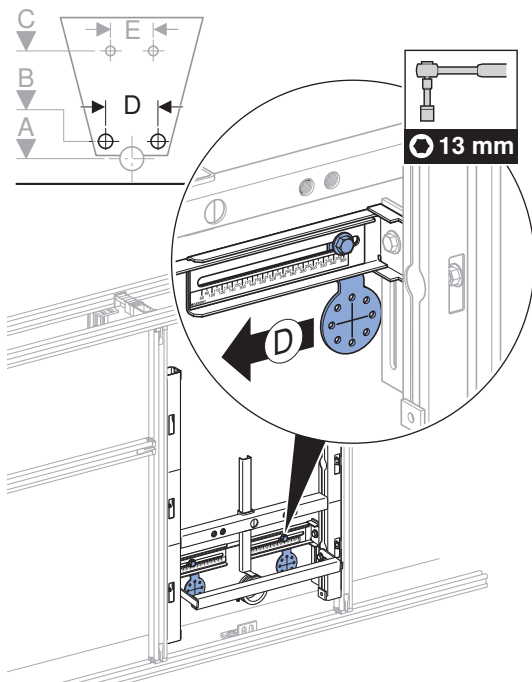
4



6



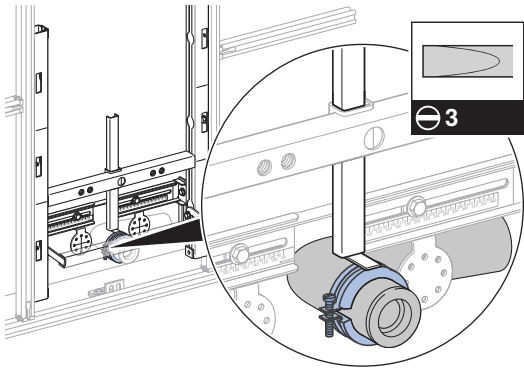
5



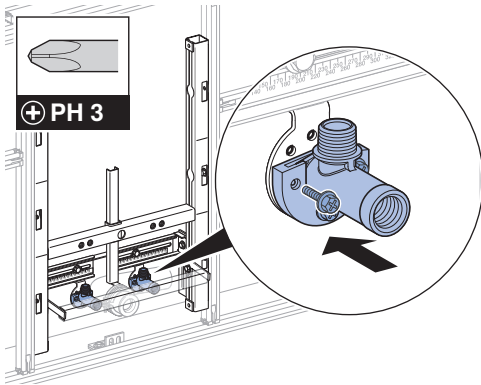


# 3

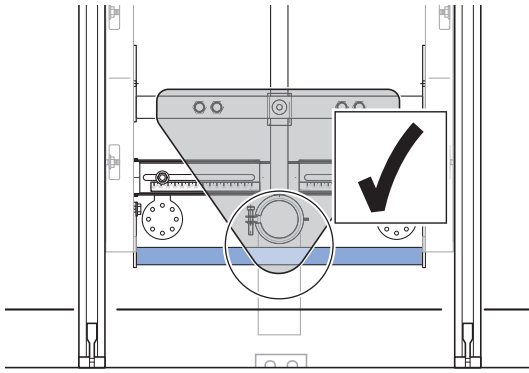
## 1



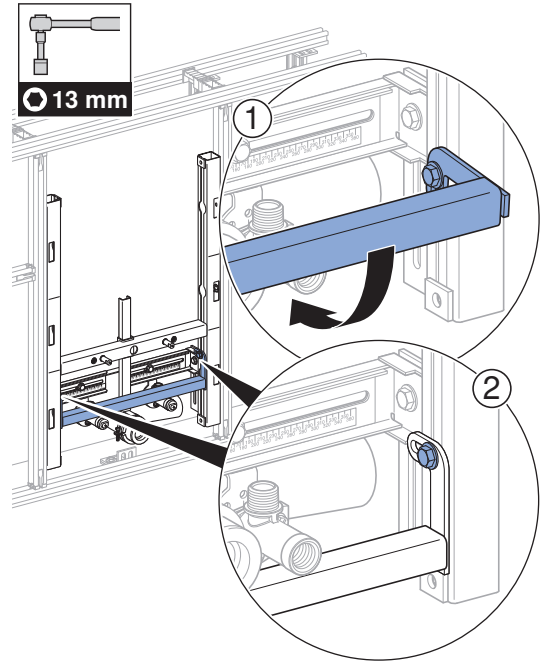
## 2



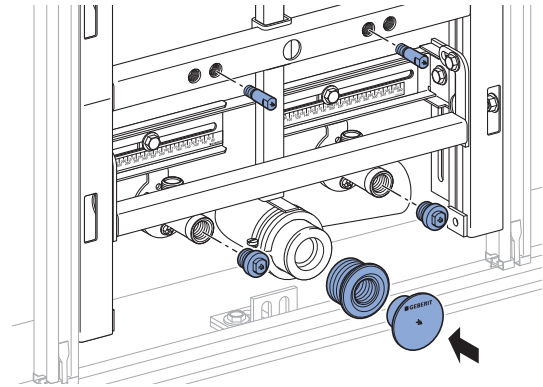
**i**



## 3



## 4







---

**Geberit International AG**  
**Schachenstrasse 77, CH-8645 Jona**  
**documentation@geberit.com**  
**www.geberit.com**

