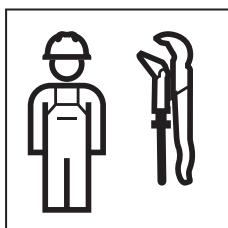


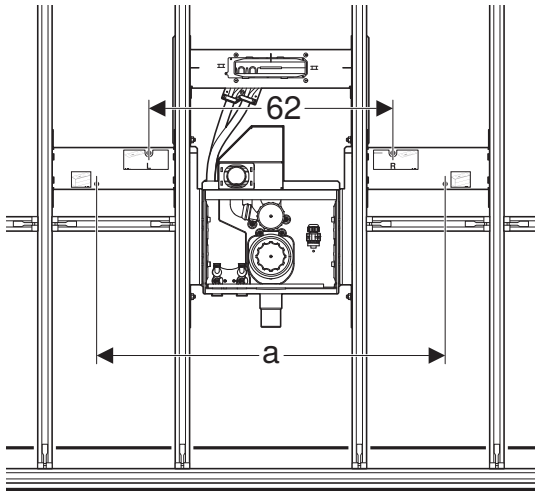
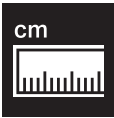
INSTALLATION MANUAL

MONTAGEANLEITUNG
INSTRUCTIONS DE MONTAGE
ISTRUZIONI PER IL MONTAGGIO

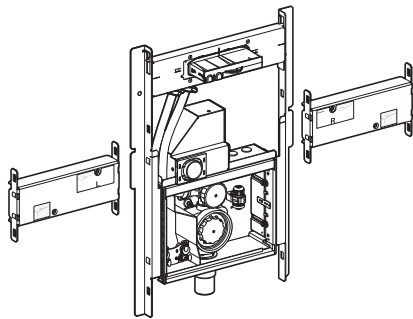


968.776.00.0(04)

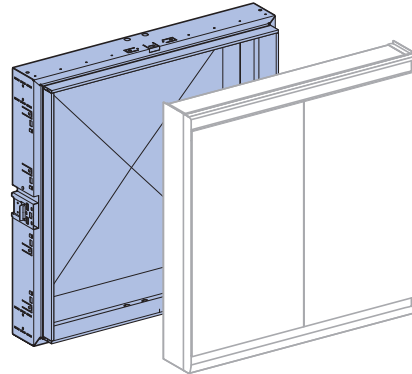




		a
(75 cm)	461.471.00.1	59
(90 cm)	461.472.00.1	74
(105 cm)	461.473.00.1	89
(120 cm)	461.474.00.1	104

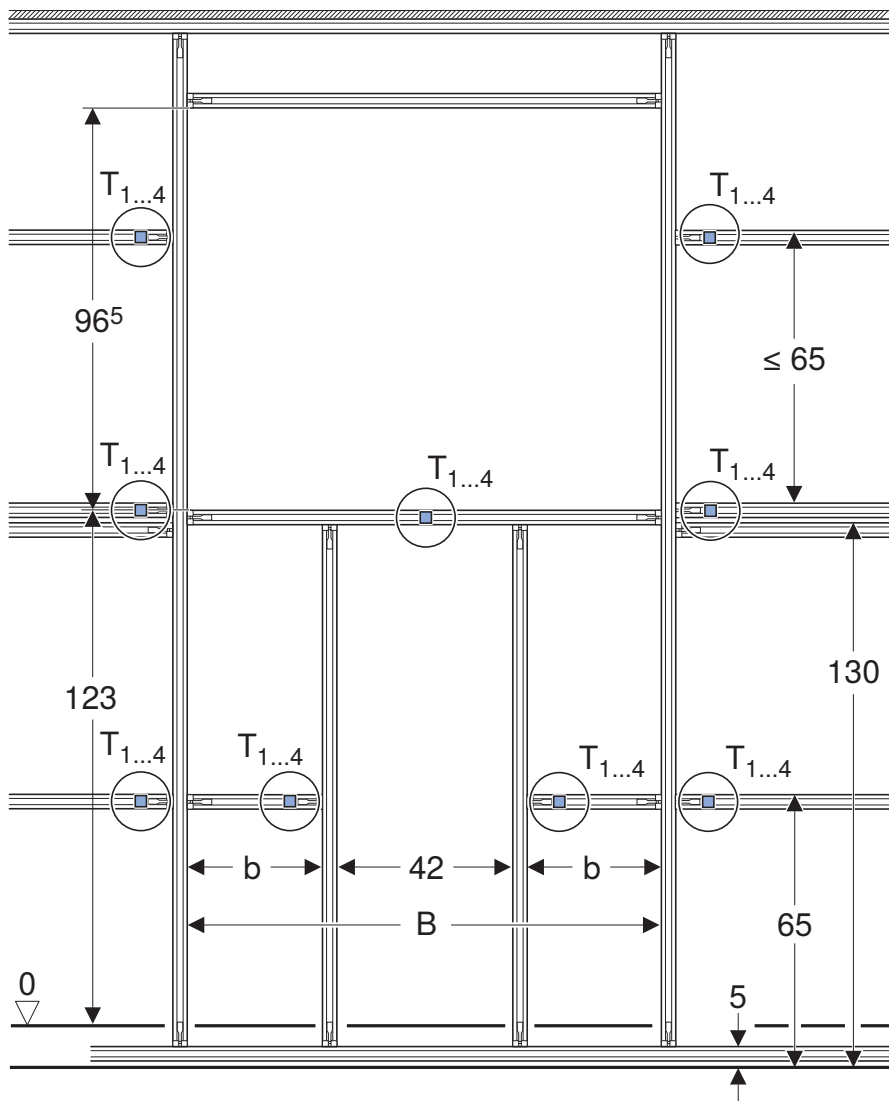


Geberit ONE, H = 90 cm



- (60 cm) 111.941.00.1
- (75 cm) 111.942.00.1
- (90 cm) 111.943.00.1
- (105 cm) 111.944.00.1
- (120 cm) 111.945.00.1



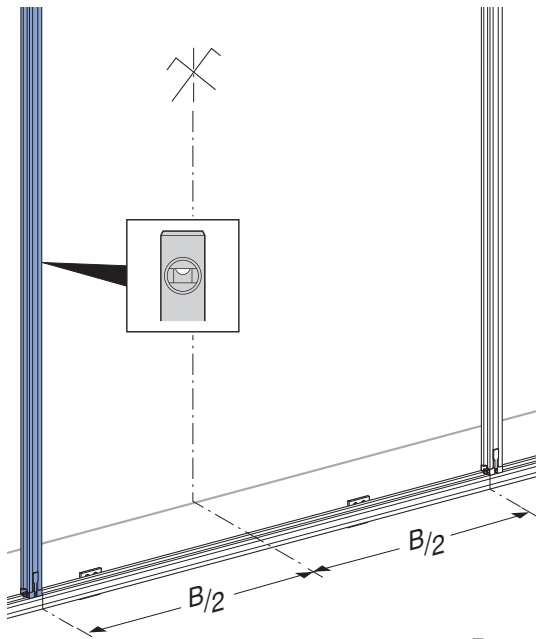


		B	b
(75 cm)	461.471.00.1	82	17
(90 cm)	461.472.00.1	97	24 ⁵
(105 cm)	461.473.00.1	112	32
(120 cm)	461.474.00.1	127	39 ⁵



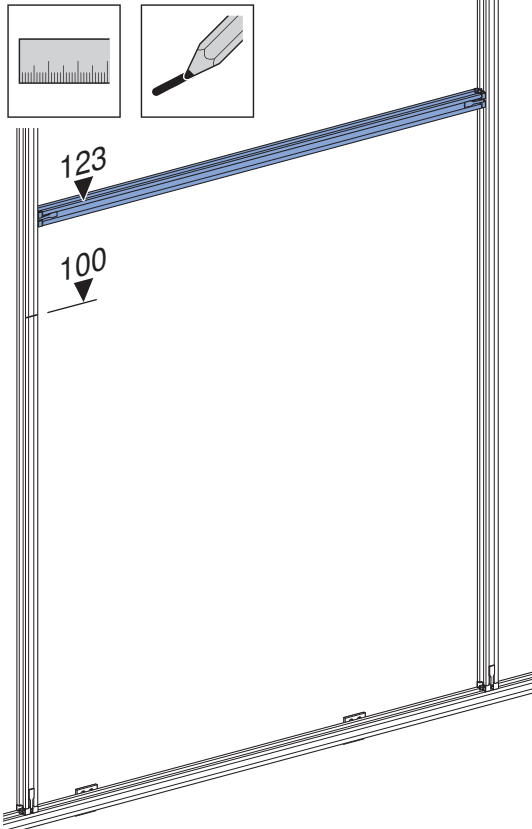
1

1

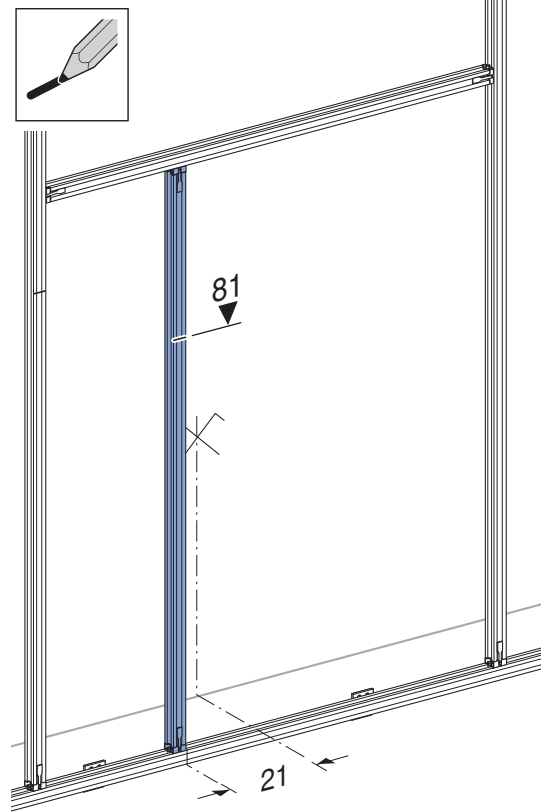


		B	B/2
(75 cm)	461.471.00.1	82	41
(90 cm)	461.472.00.1	97	48 ⁵
(105 cm)	461.473.00.1	112	56
(120 cm)	461.474.00.1	127	63 ⁵

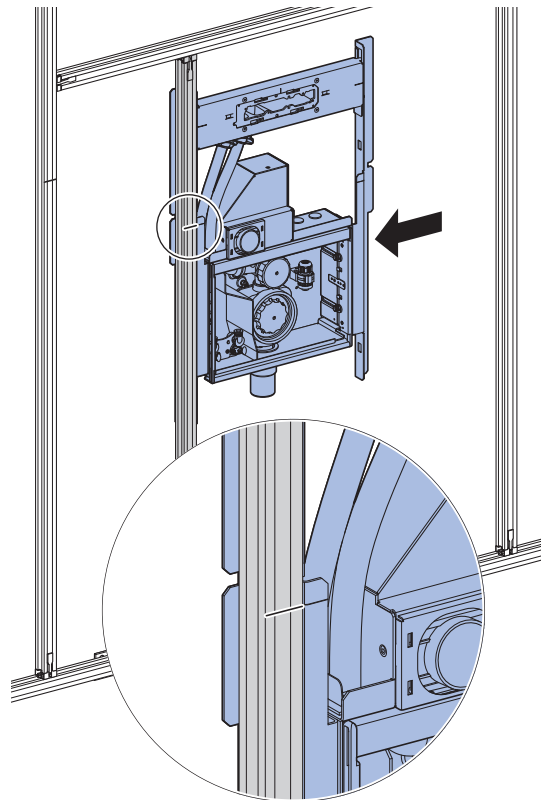
2



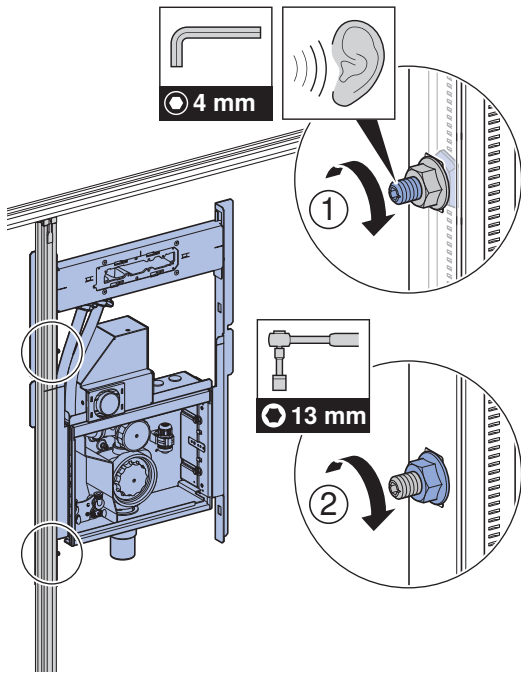
3



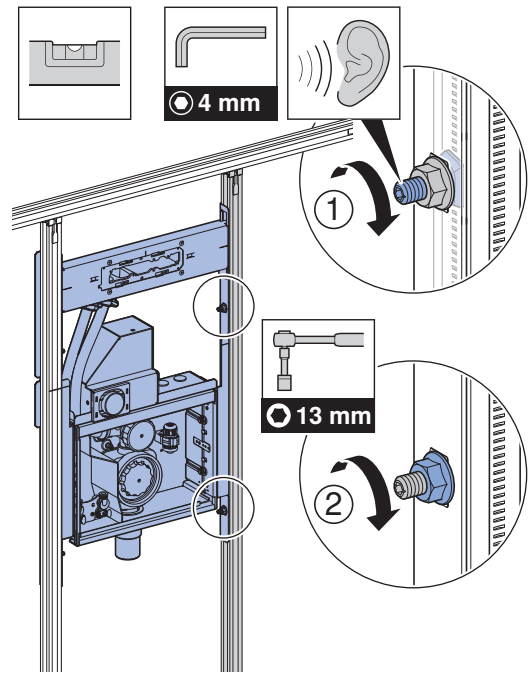
4



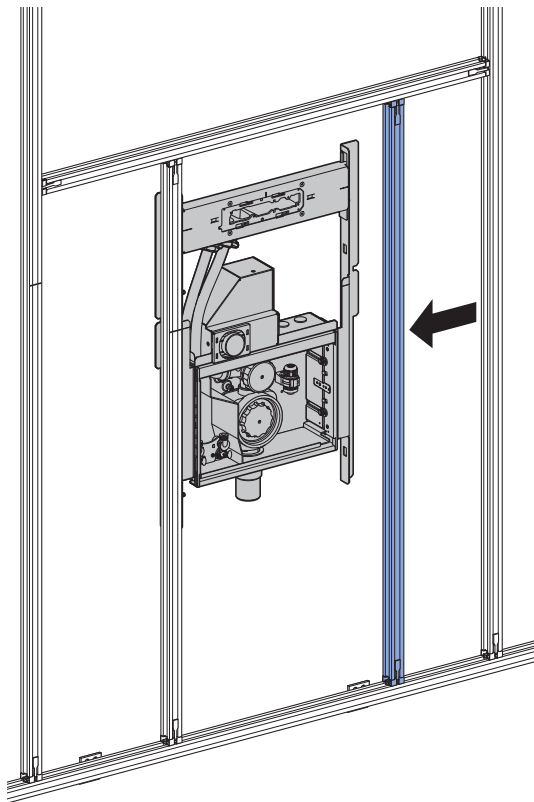
5



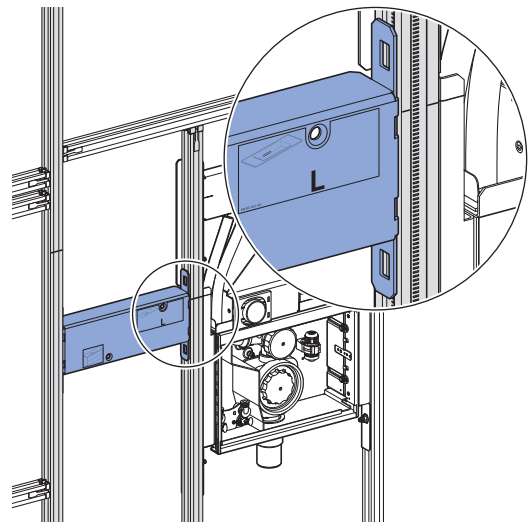
7



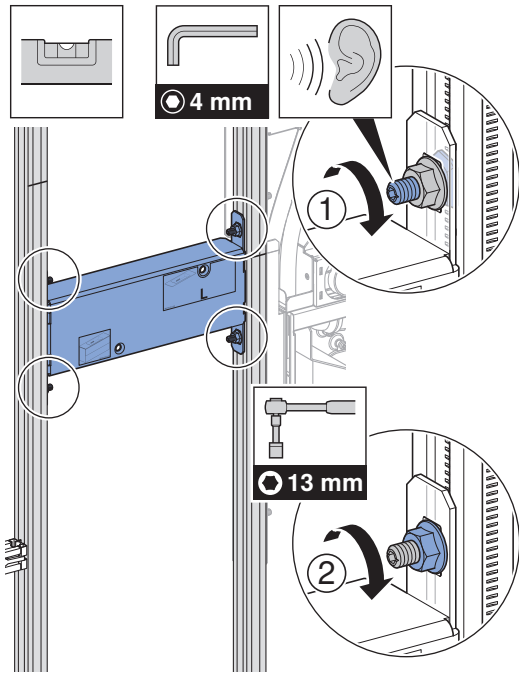
6



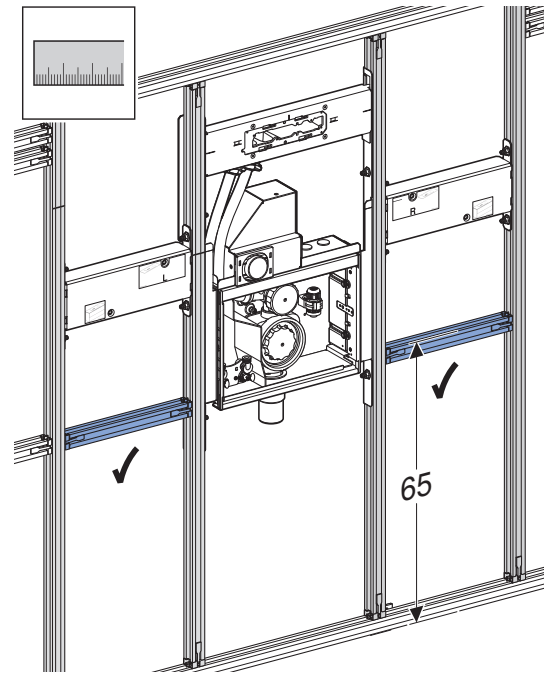
8



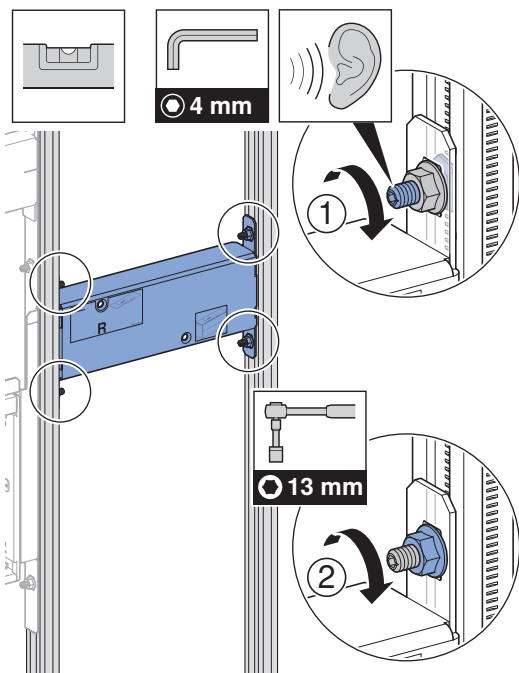
9



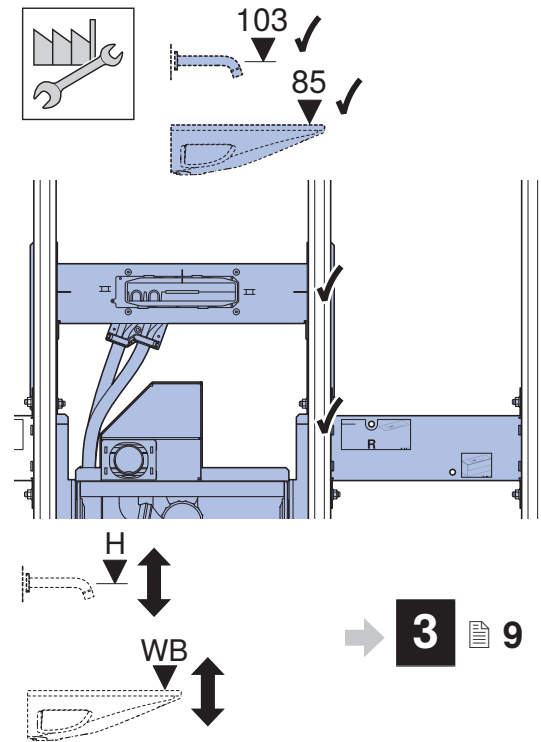
11



10

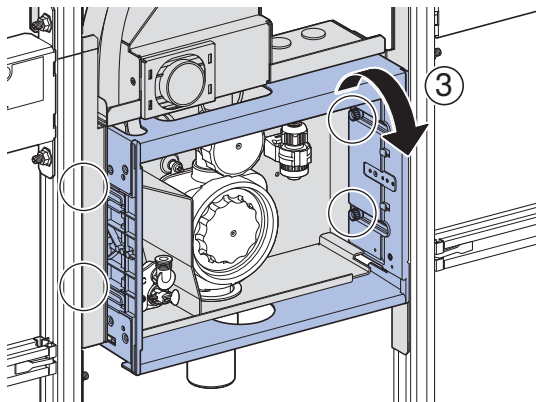
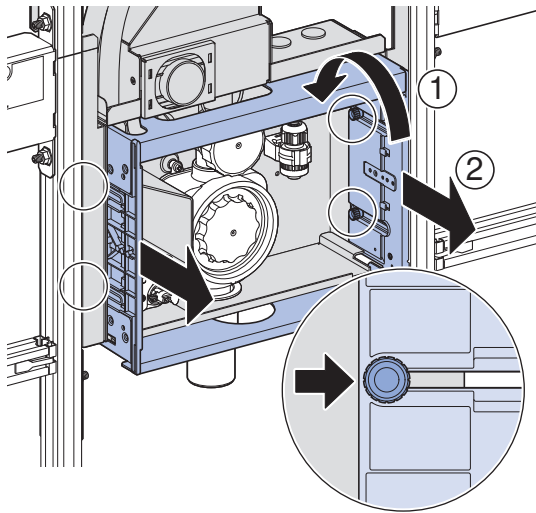


i

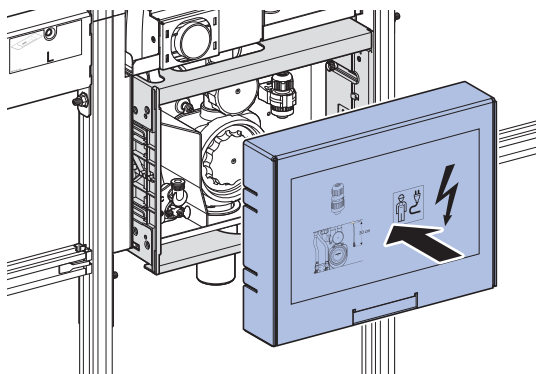


2

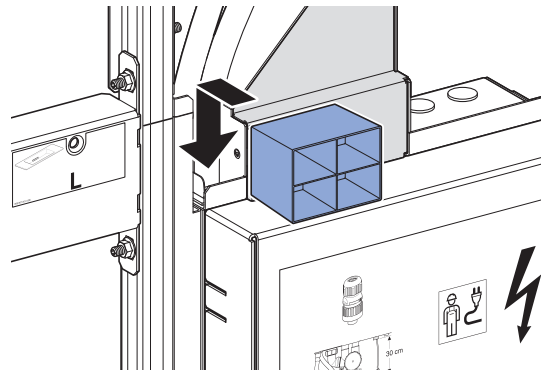
1



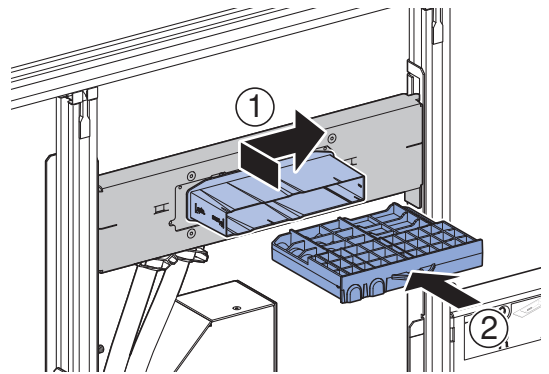
2



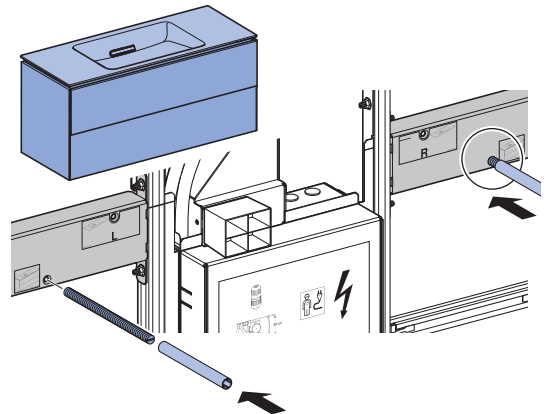
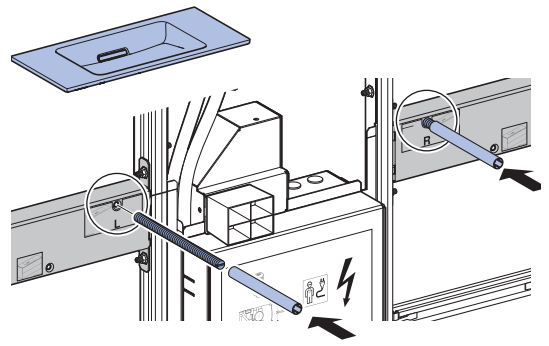
3



4

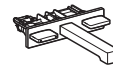
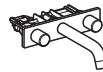
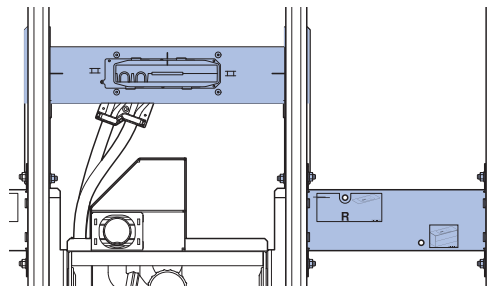
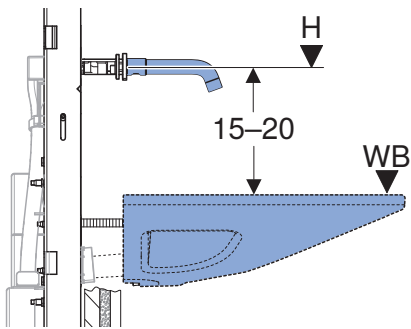


5



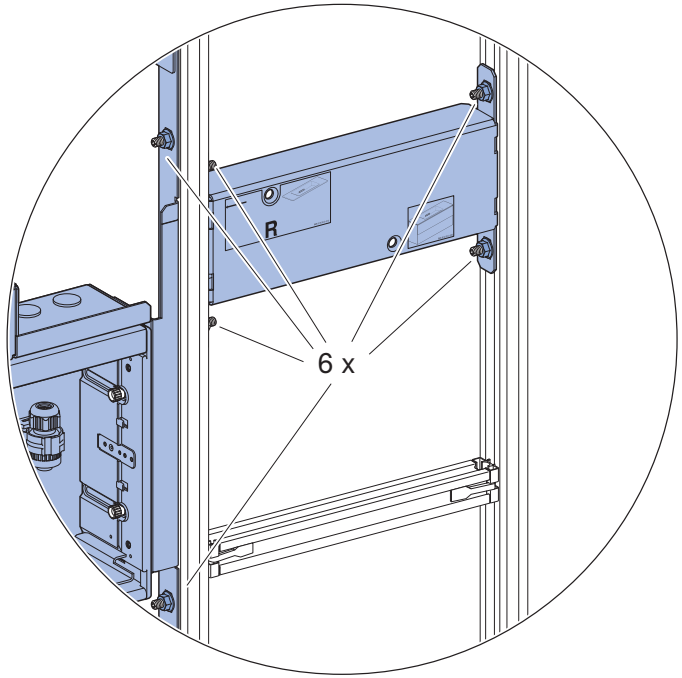
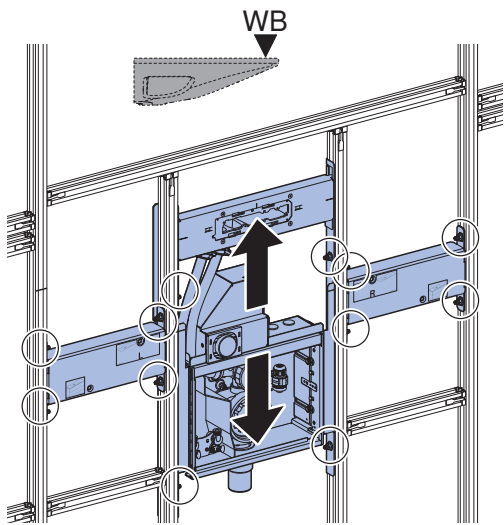
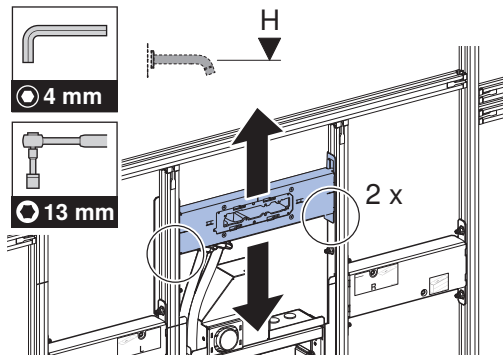
➔ 4 10

3

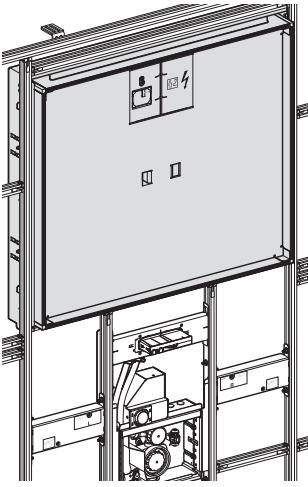


WB	H	116.460.21.1	116.461.21.1
90	105–110	108	106
89	104–109	107	105
88	103–108	106	104
87	102–107	105	103
86	101–106	104	102
85	100–105	103	101
(H _{min} = WB + 15 H _{max} = WB + 20)		(H = WB + 18)	(H = WB + 16)

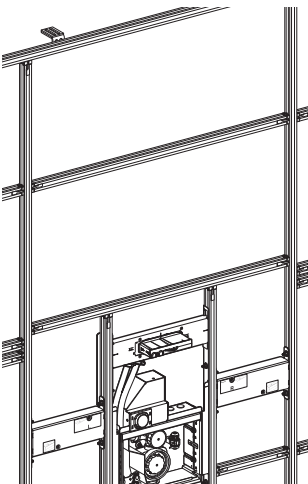
1



4



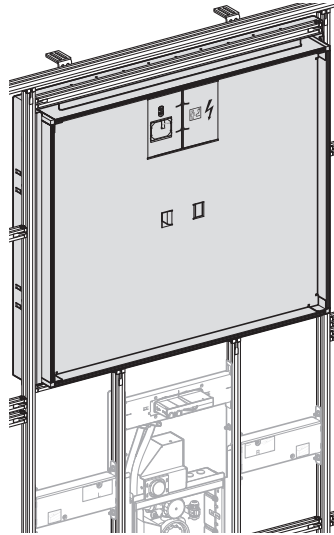
→ **4 A**  10



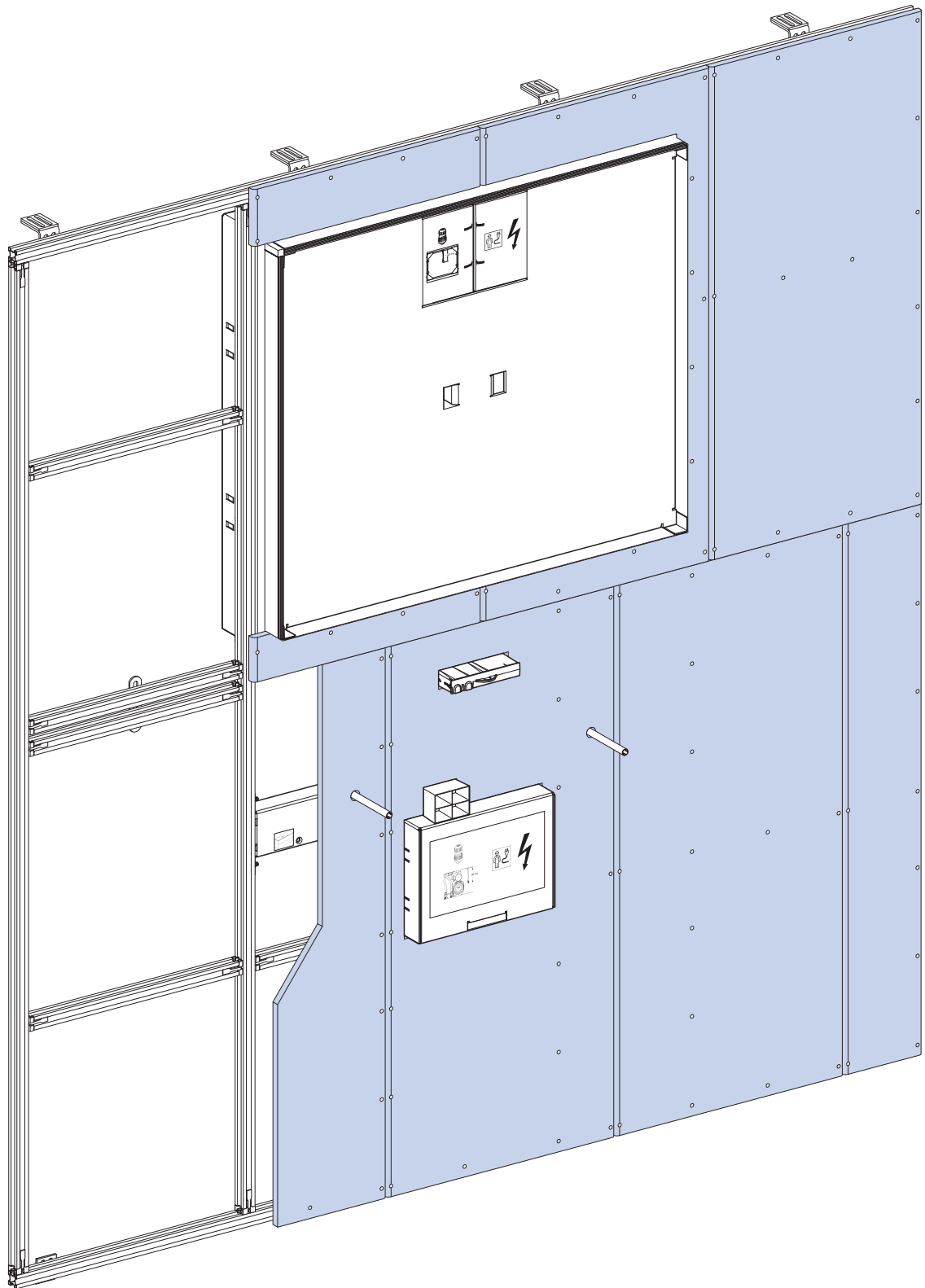
→ **4 B**  12

4 A

✓

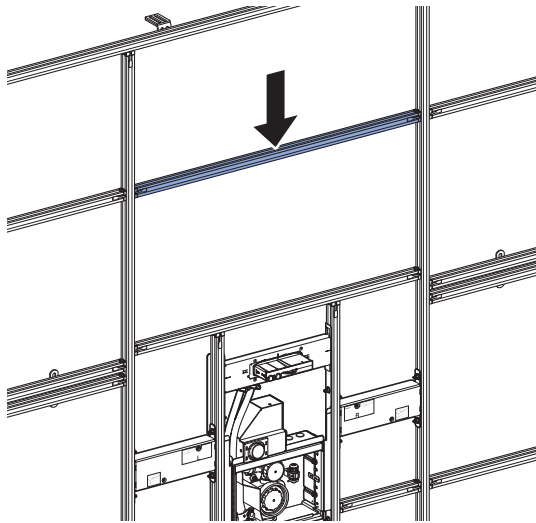


Installation
Manual

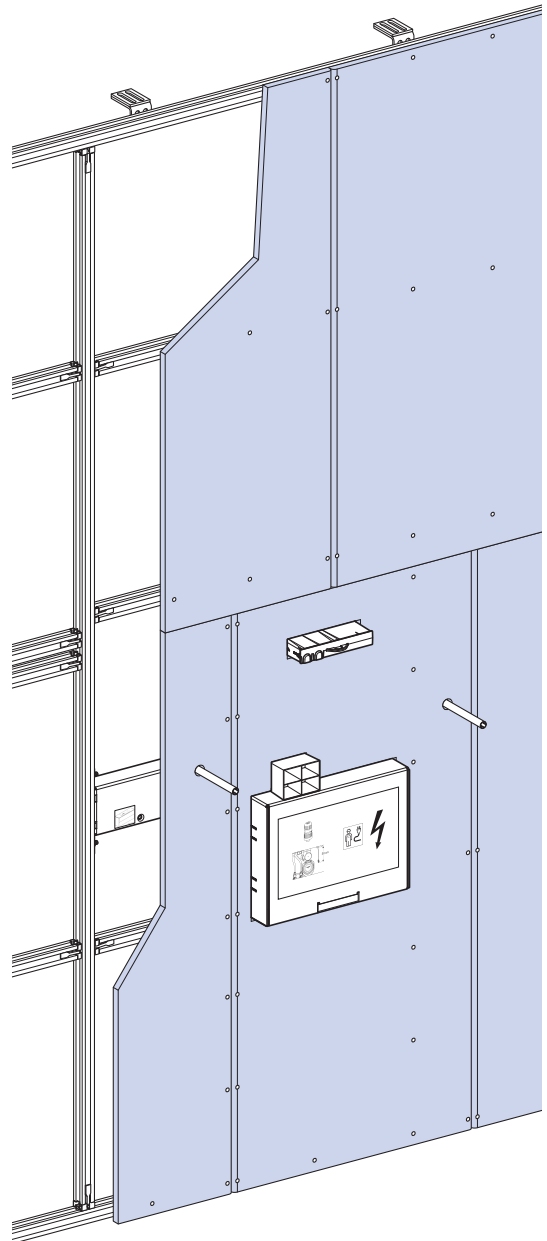


4 B

1



2



Geberit International AG
Schachenstrasse 77, CH-8645 Jona
documentation@geberit.com
www.geberit.com

