

# INSTALLATION MANUAL

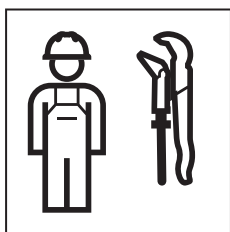
MONTAGEANLEITUNG

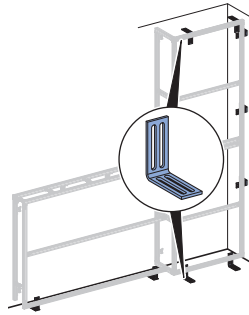
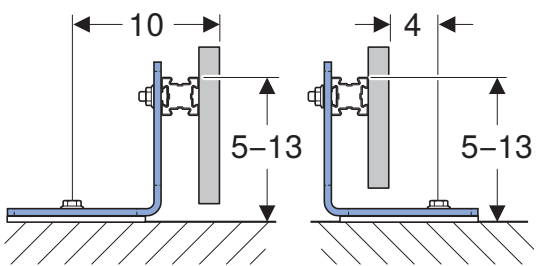
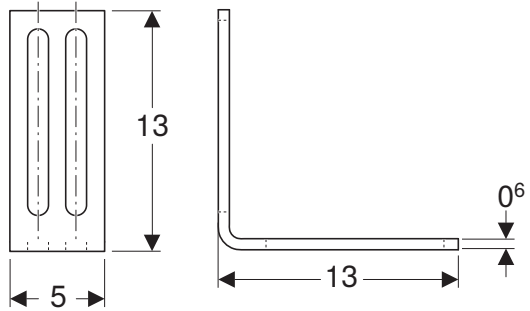
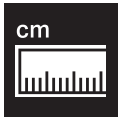
INSTRUCTIONS DE MONTAGE

ISTRUZIONI PER IL MONTAGGIO

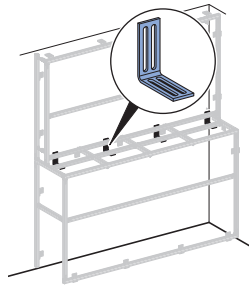


970.386.00.0(02)



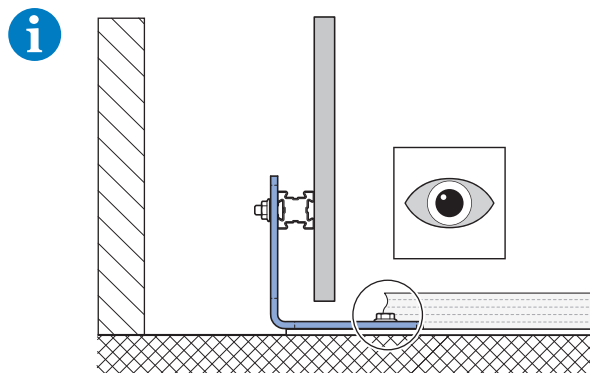
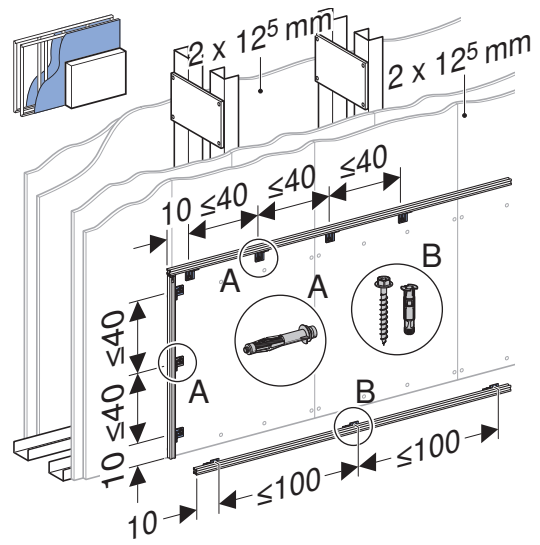
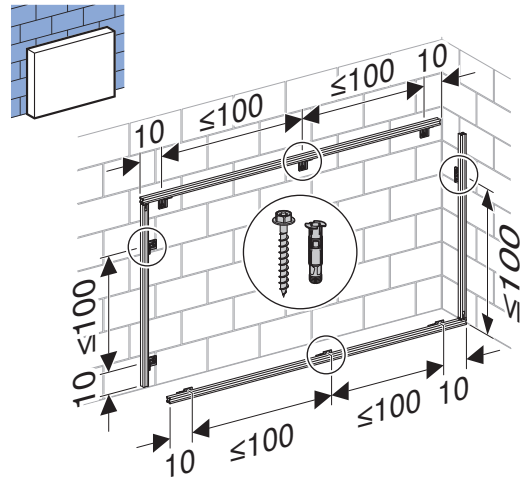
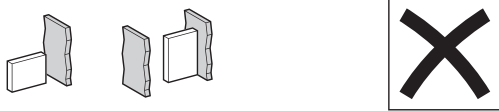
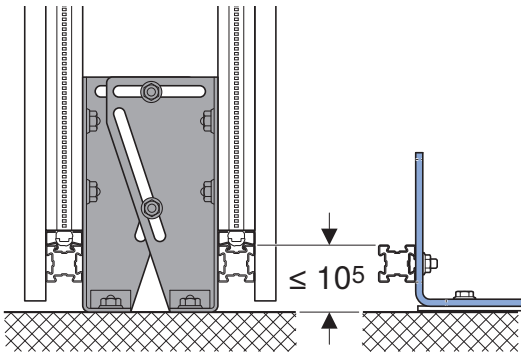
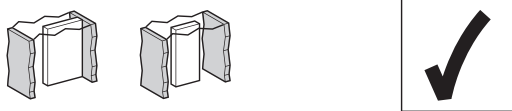
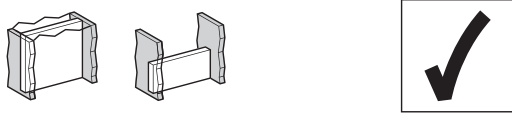
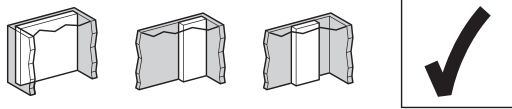
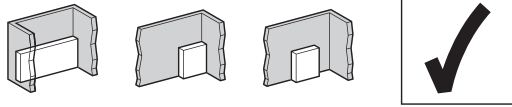


➔ **A** 📄 3

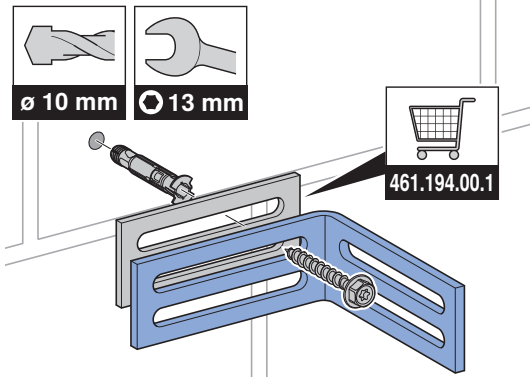


➔ **B** 📄 6

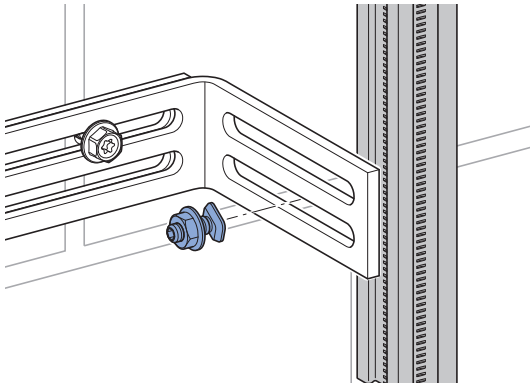
**A**



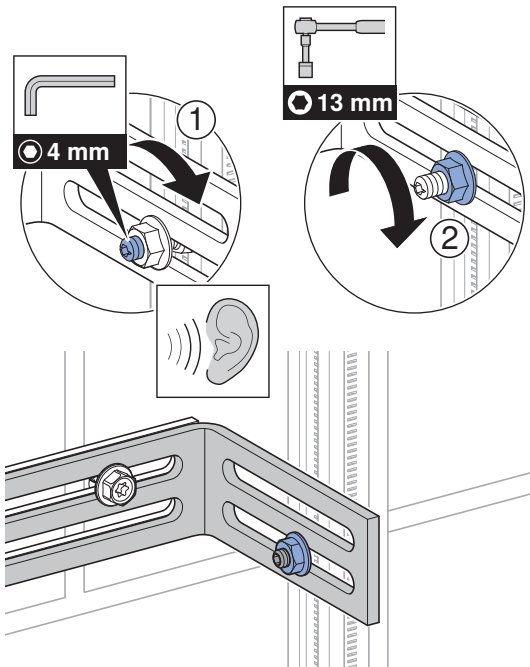
1



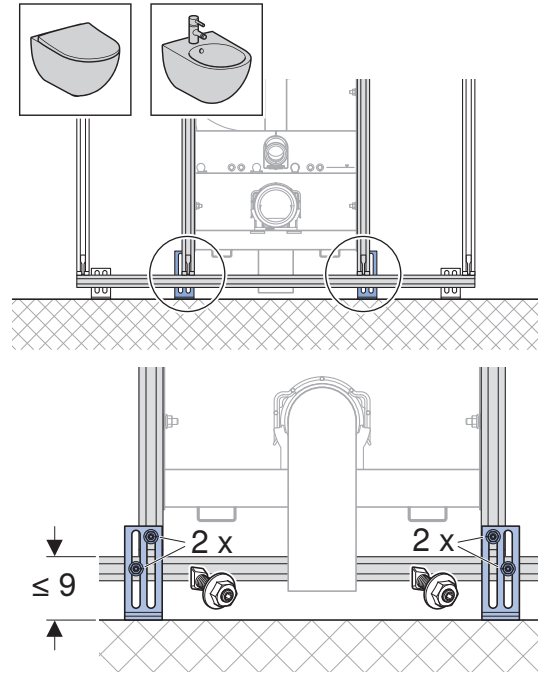
2

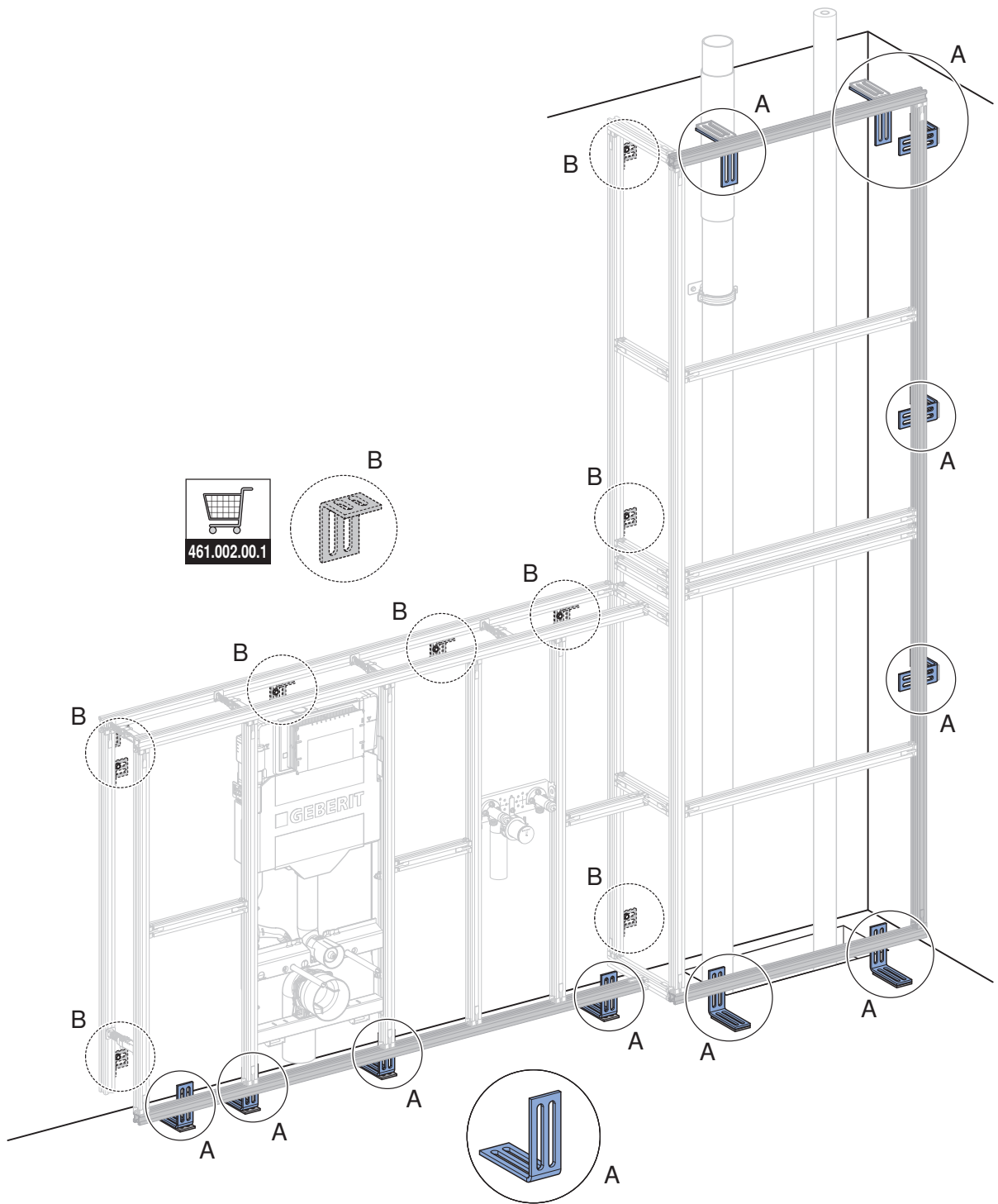


3

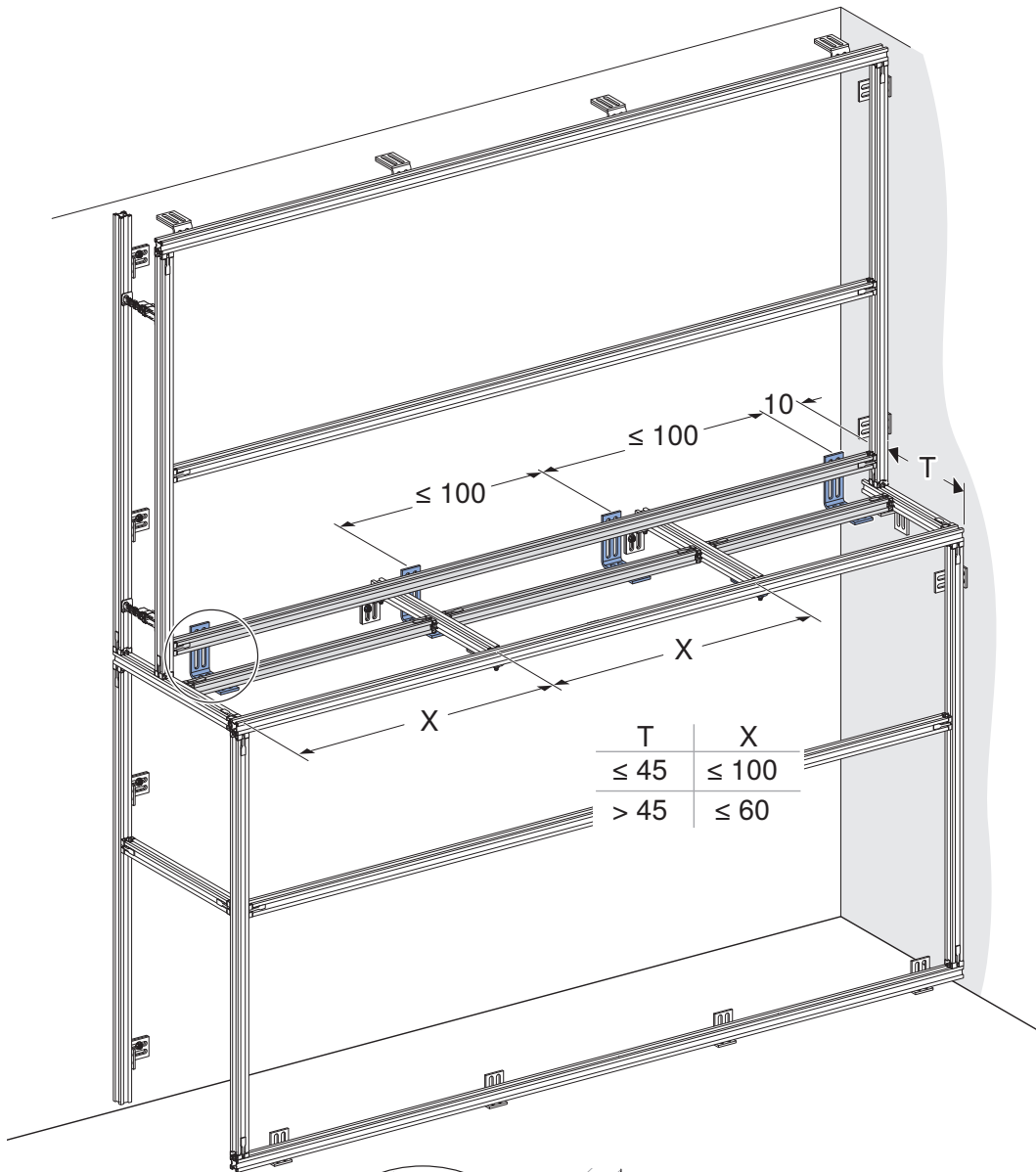
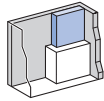
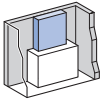
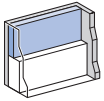


i

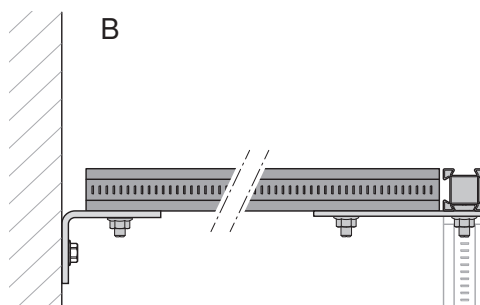
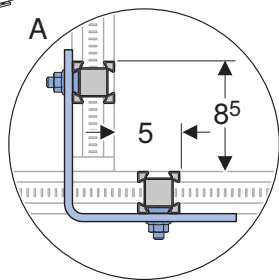




**B**



T	X
≤ 45	≤ 100
> 45	≤ 60







---

**Geberit International AG**  
**Schachenstrasse 77, CH-8645 Jona**  
**documentation@geberit.com**  
**www.geberit.com**