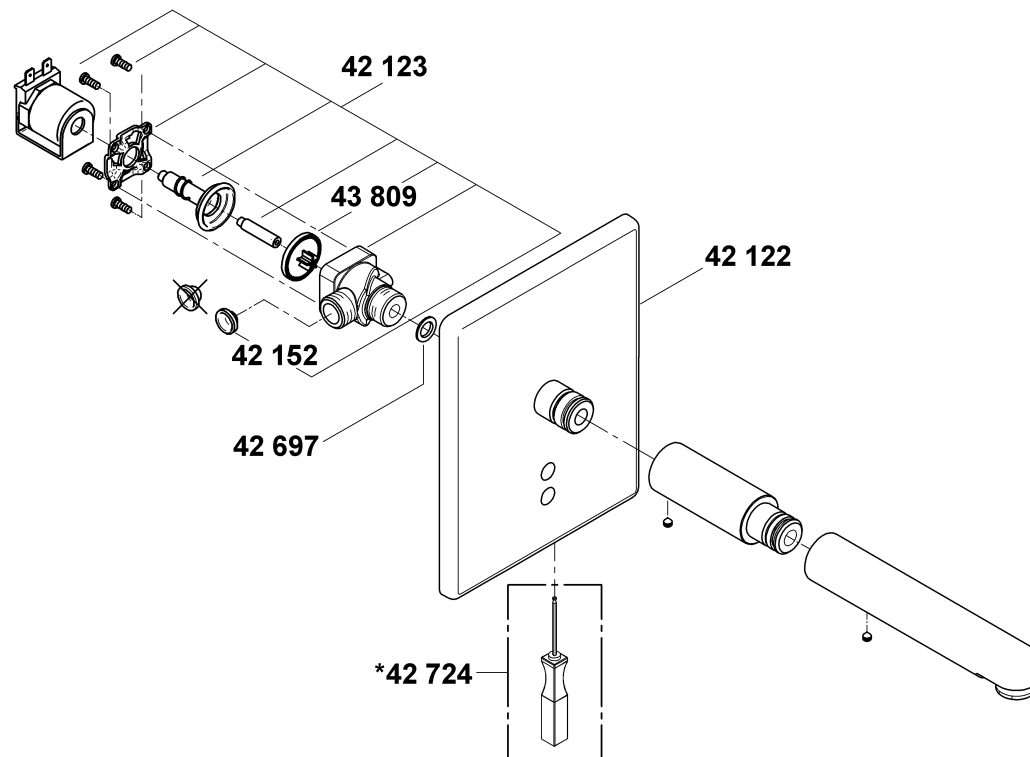


# GROHE

ENJOY WATER®



94.051.031/ÄM 213805/12.08

Design & Quality Engineering GROHE Germany