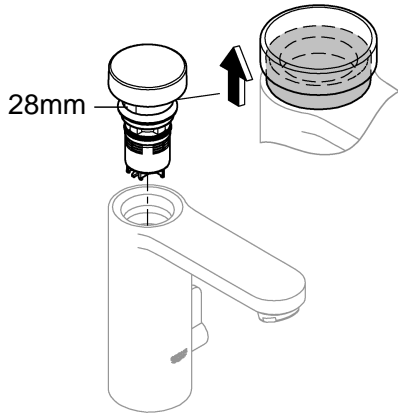
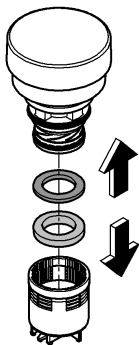
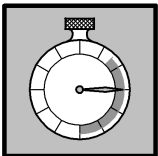
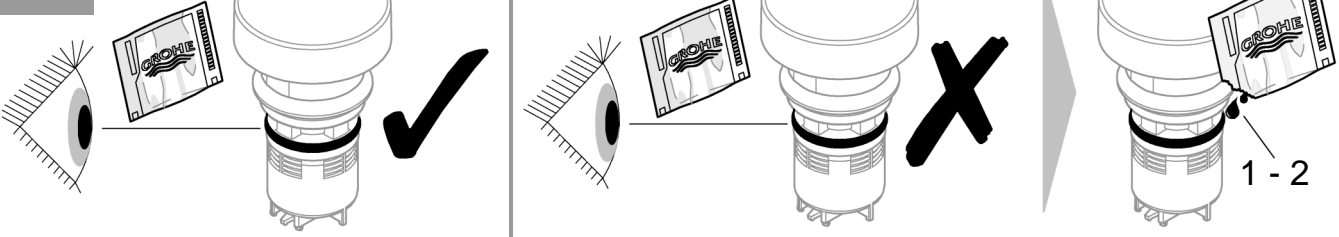
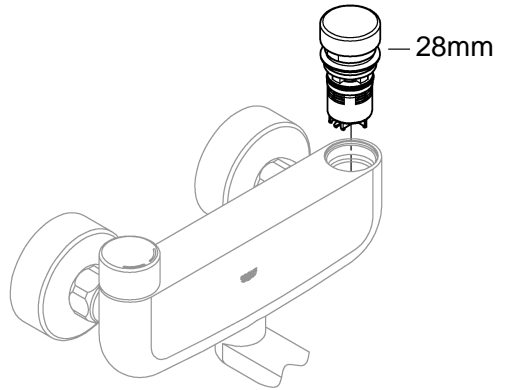




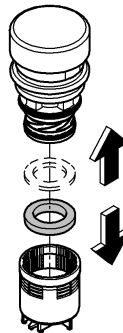
42 412



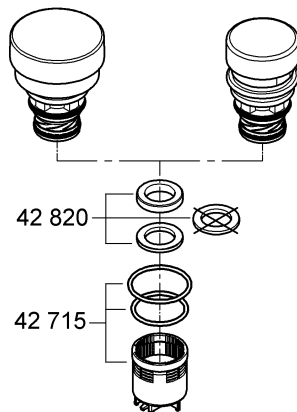
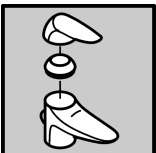
42 432



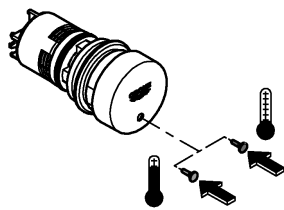
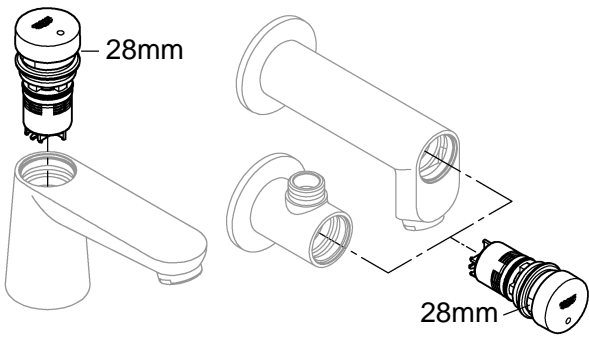
	7 sec
	15 sec
	30 sec



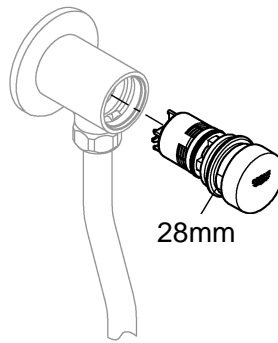
	7 sec
	15 sec
	30 sec



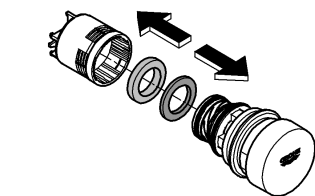
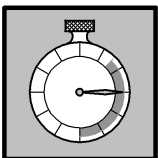
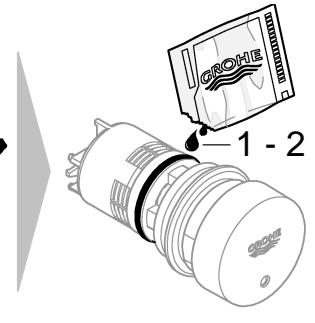
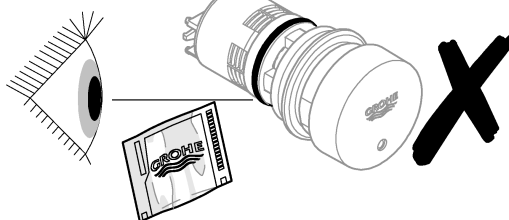
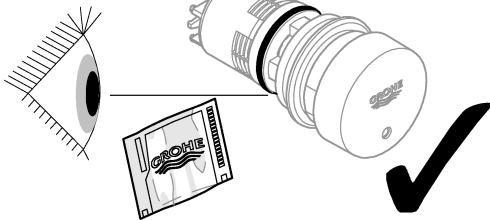
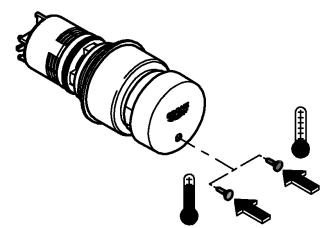
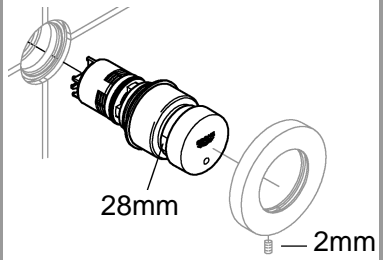
42 383



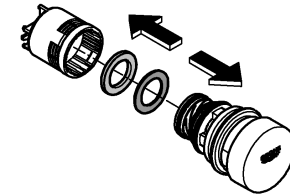
42 434



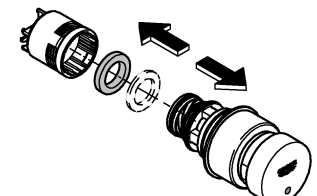
42 384



	7 sec
	15 sec
	30 sec



	3 bar
	2l
	3l
	4l



	7 sec
	15 sec
	30 sec

