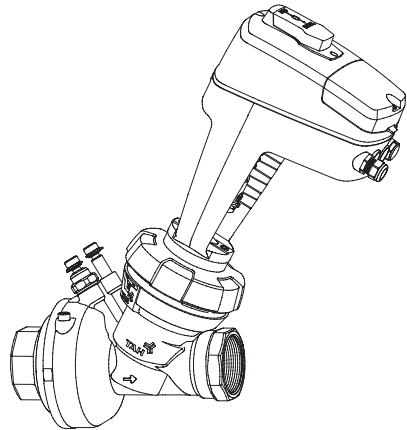
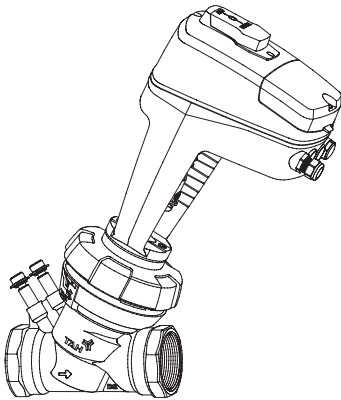


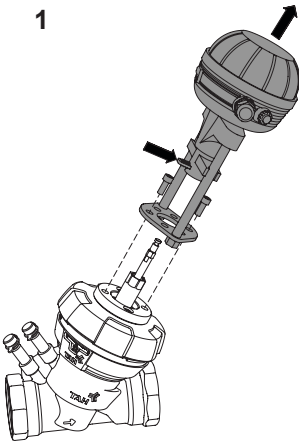
TA-FUSION-C (DN 32-50)

TA-FUSION-P (DN 32-50)

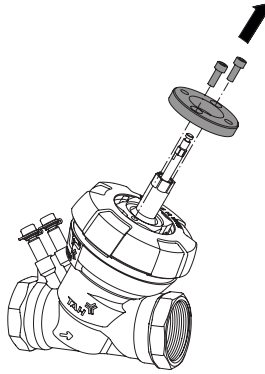
Exchange of handwheel
Auswechselung des Handrades
Echange de la poignée



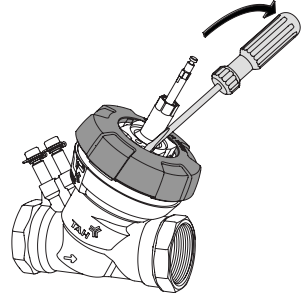
1



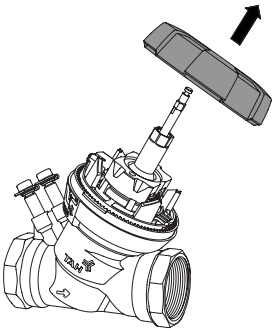
2



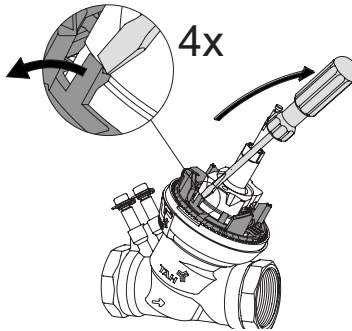
3



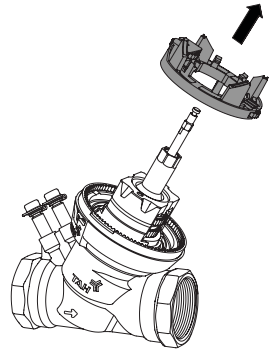
4



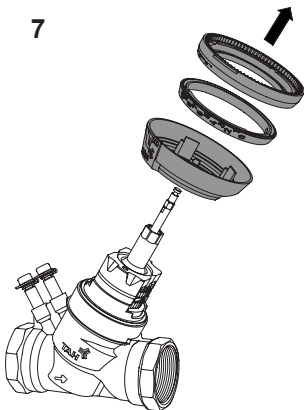
5



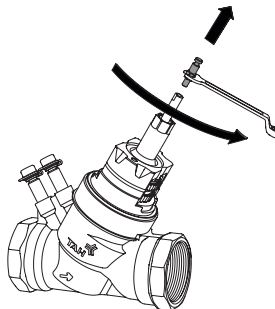
6



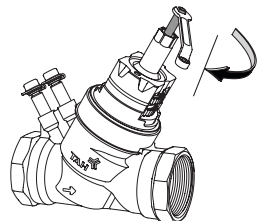
7



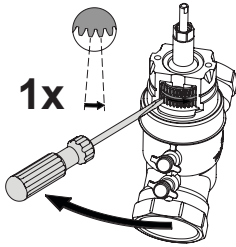
8



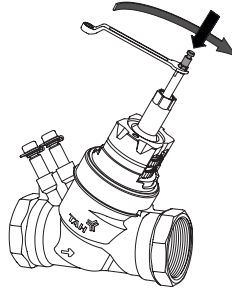
9



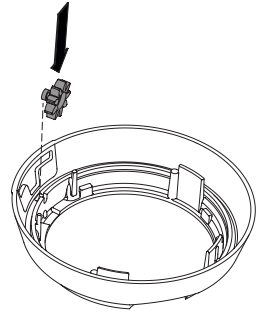
10



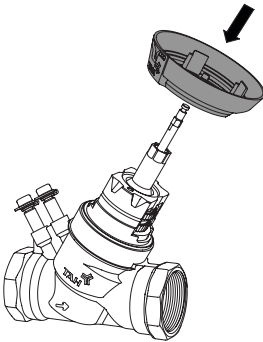
11



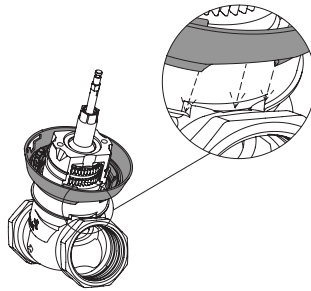
12



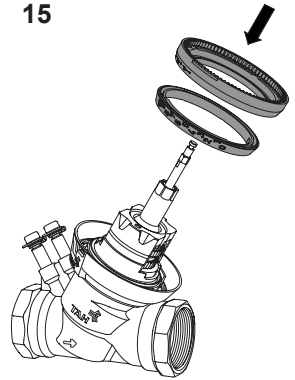
13



14

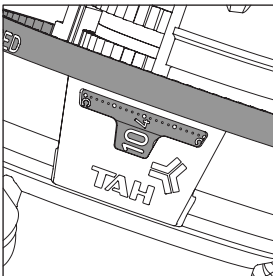


15

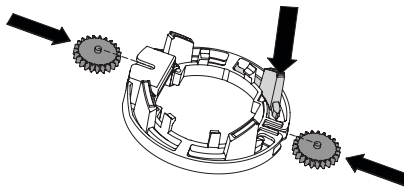


16

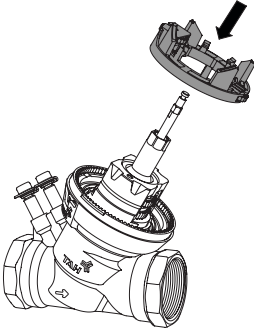
10.4 !



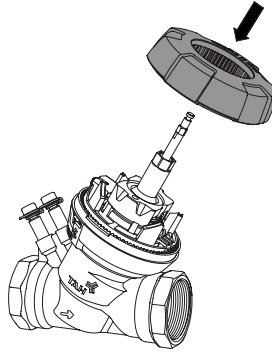
17



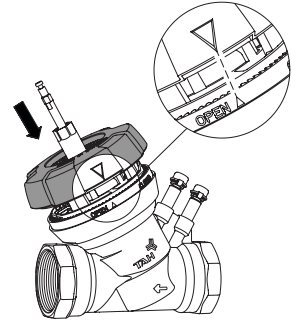
18



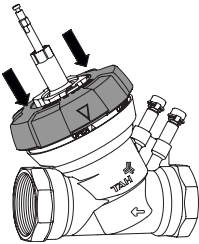
19



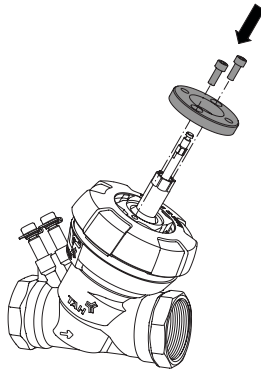
20



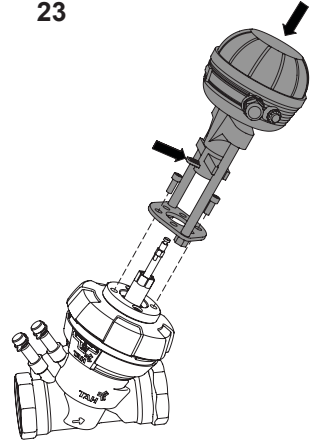
21



22



23



We reserve the right to introduce technical alterations without previous notice.