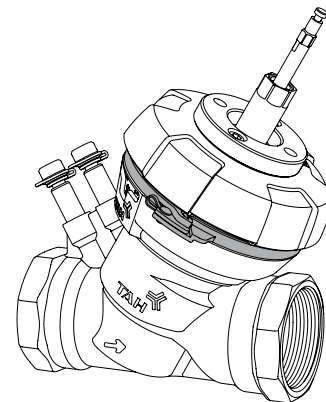
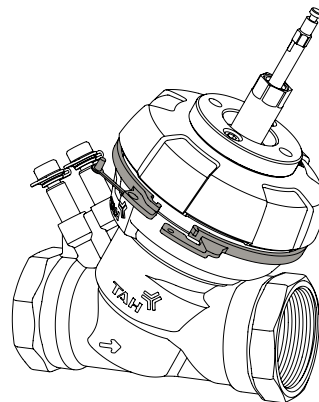
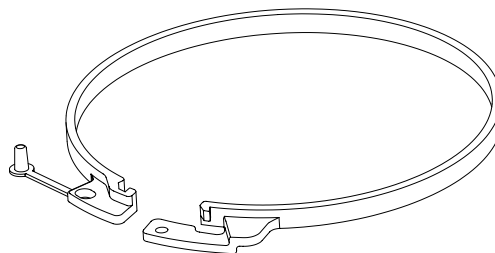
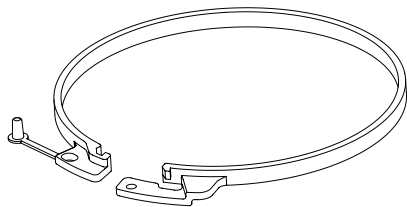


TA-FUS10N-C (DN 32-50)

TA-FUS10N-P (DN 32-50)



*We reserve the right to introduce technical alterations
without previous notice.*