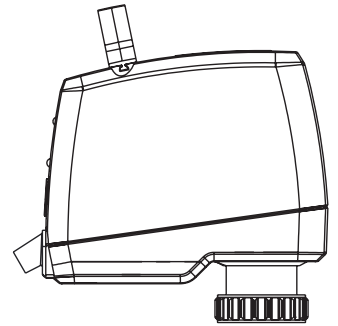


TA-Slider 160 BACnet CO

TA-Slider 160 Modbus CO



0°C - +50°C 32°F - +122°F (5-95%RH, non-condensing)



0°C - +120°C 32°F - +248°F

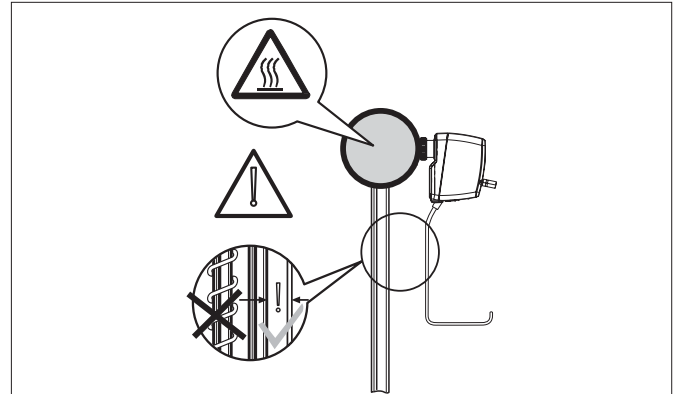
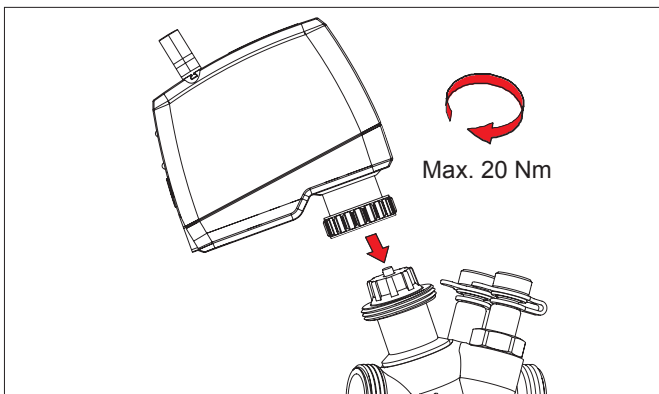
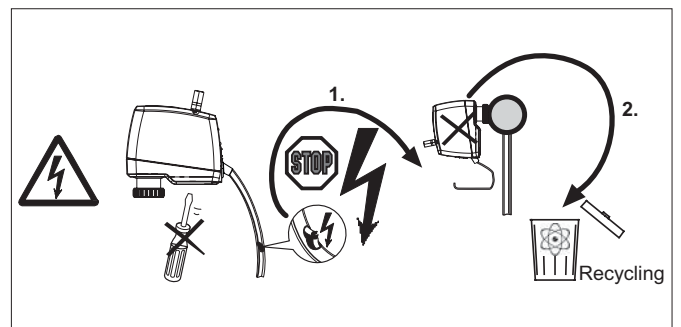
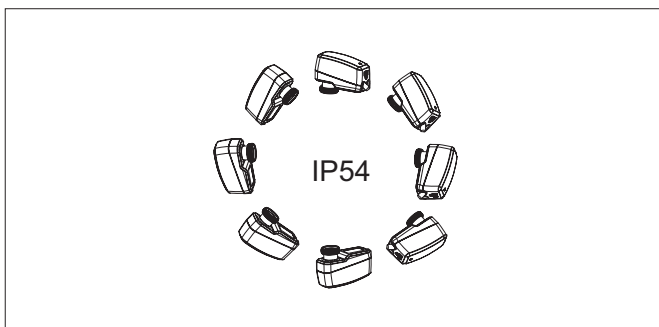
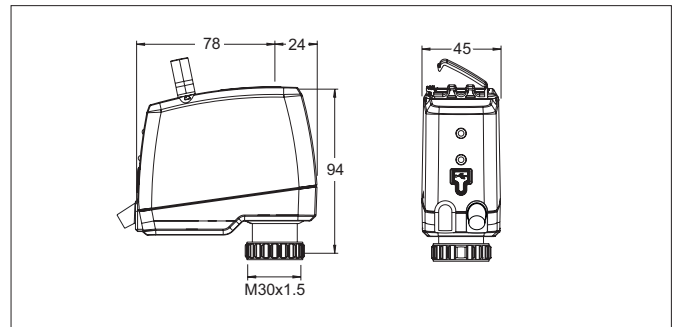


-20°C - +70°C -4°F - +158°F (5-95%RH, non-condensing)

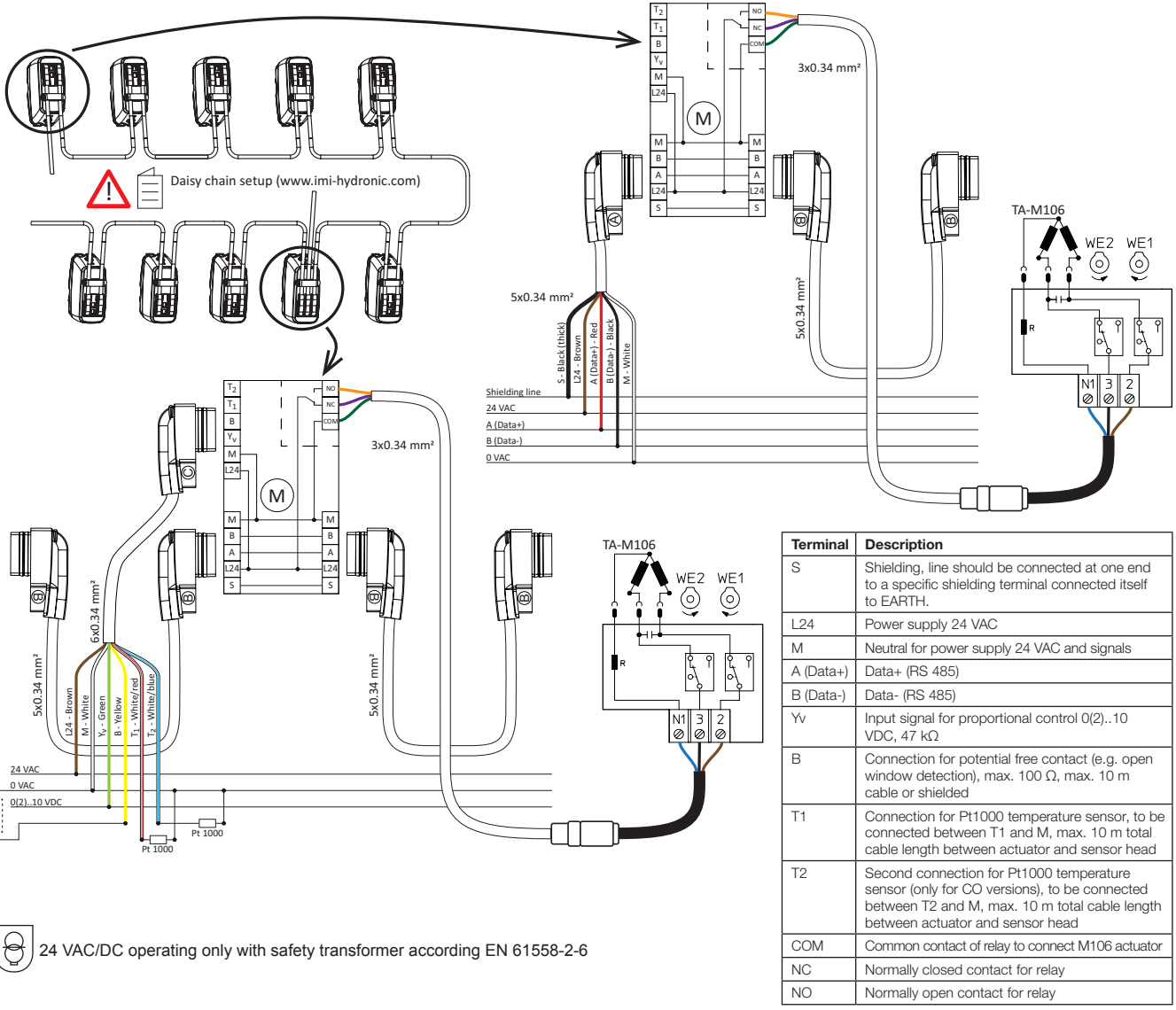
Software
A
EN 60730

Type
1AB
EN 60730

IP54
EN 60730



TA-Slider 160 BACnet CO/Modbus CO



24 VAC/DC operating only with safety transformer according EN 61558-2-6

Quick start

Download on the **App Store**

ANDROID APP ON **Google Play**

HyTune app

LED

LED Color	Meaning
Red	Change of network configuration or board starting
Orange	Message received
Green	Ready - Waiting for messages

Bus LED

LED