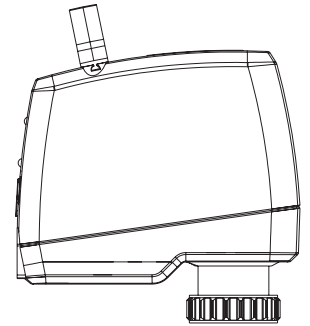


TA-Slider 160 BACnet TA-Slider 160 Modbus



0°C - +50°C

32°F - +122°F

(5-95%RH, non-condensing)



0°C - +120°C

32°F - +248°F



-20°C - +70°C

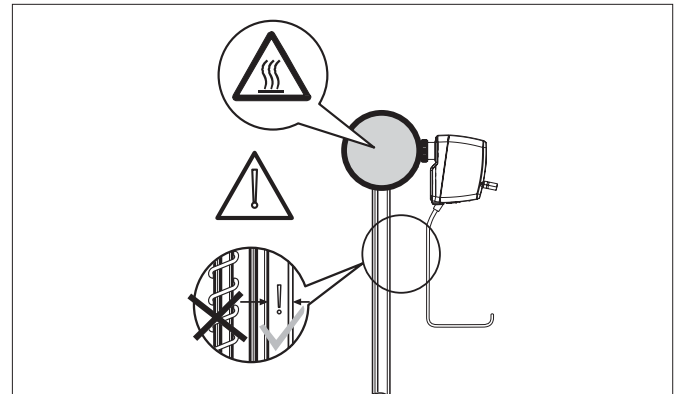
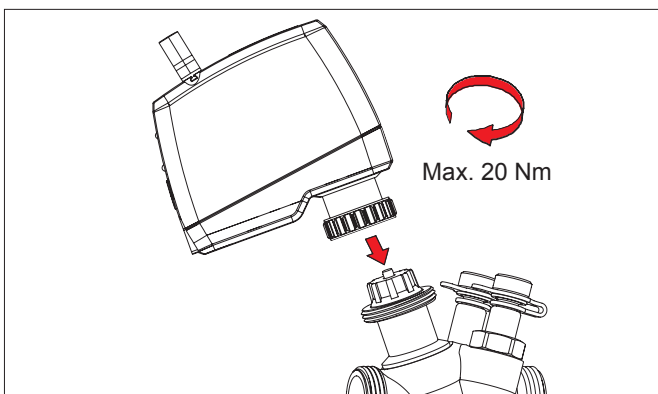
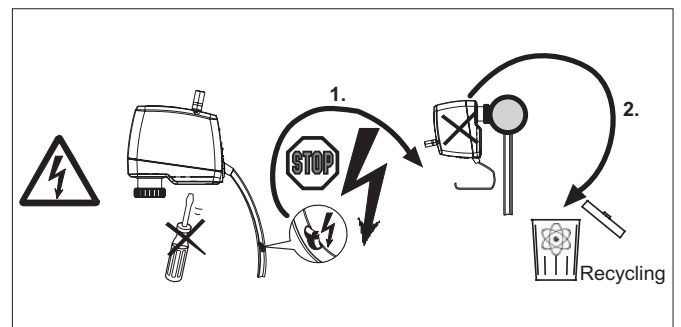
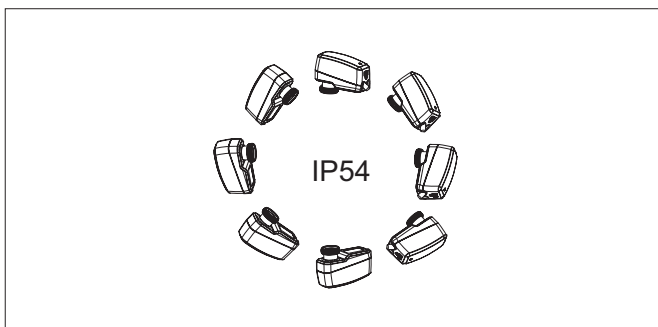
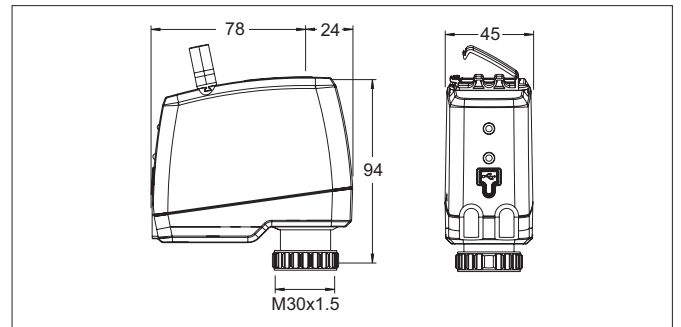
-4°F - +158°F

(5-95%RH, non-condensing)

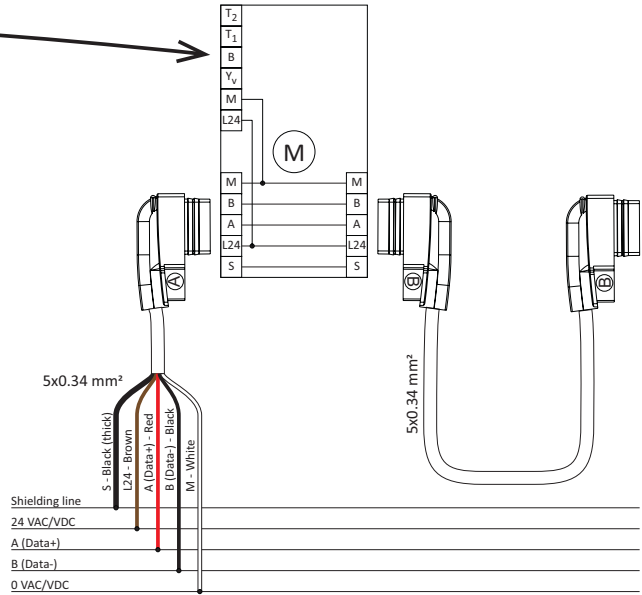
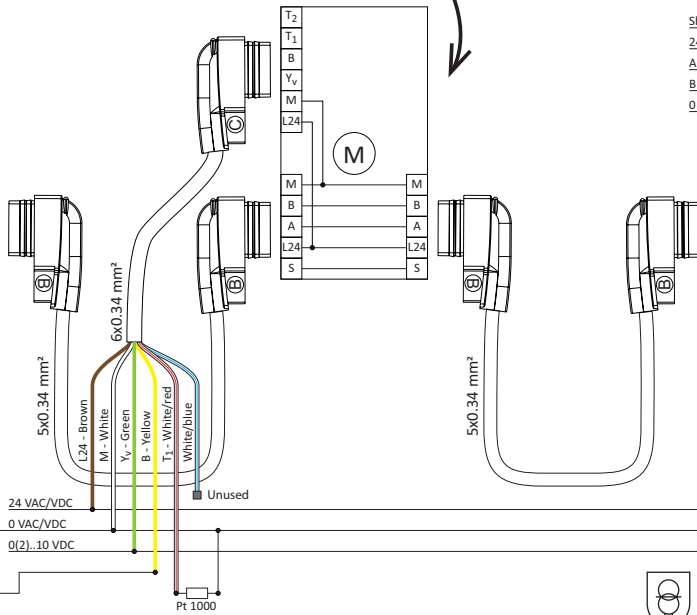
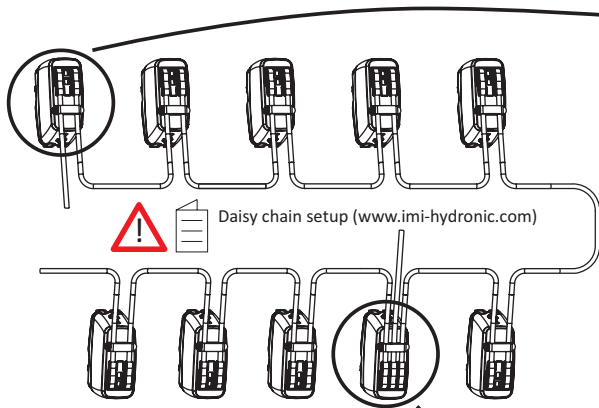
Software
A
EN 60730

Type
1AB
EN 60730

IP54
EN 60730



TA-Slider 160 BACnet/Modbus



Terminal	Description
S	Shielding, line should be connected at one end to a specific shielding terminal connected itself to EARTH.
L24	Power supply 24 VAC/VDC
M	Neutral for power supply 24 VAC/VDC and signals
A (Data+)	Data+ (RS 485)
B (Data-)	Data- (RS 485)
Yv	Input signal for proportional control 0(2)..10 VDC, 47 kΩ
B	Connection for potential free contact (e.g. open window detection), max. 100 Ω, max. 10 m cable or shielded
T1	Connection for Pt1000 temperature sensor, to be connected between T1 and M, max. 10 m total cable length between actuator and sensor head

24 VAC/DC operating only with safety transformer according EN 61558-2-6

Quick start

HyTune app

Download on the
App Store

ANDROID APP ON
Google Play

LED

BLUE/RED

	---	---
	---	---
	---	---
	---	---
	---	---
	---	---
	---	---
	---	---
	---	---
	---	---

VIOLET

	---	---	---
	---	---	---
	---	---	---
	---	---	---
	---	---	---

Bus LED	
Red	Change of network configuration or board starting
Orange	Message received
Green	Ready - Waiting for messages