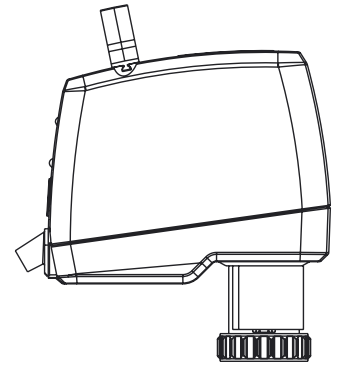


# TA-Slider 500 BACnet R24 TA-Slider 500 Modbus R24



0°C - +50°C      32°F - +122°F      (5-95%RH, non-condensing)



0°C - +120°C      32°F - +248°F

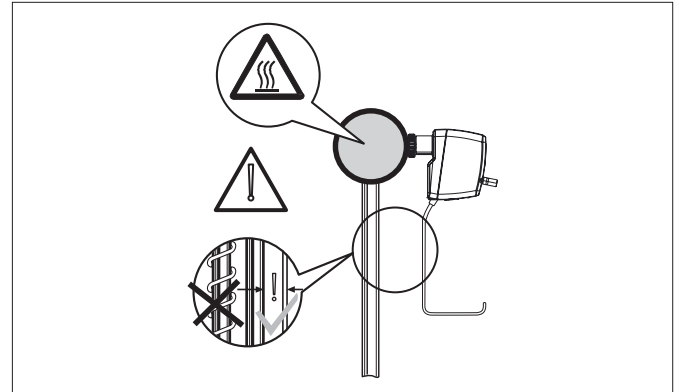
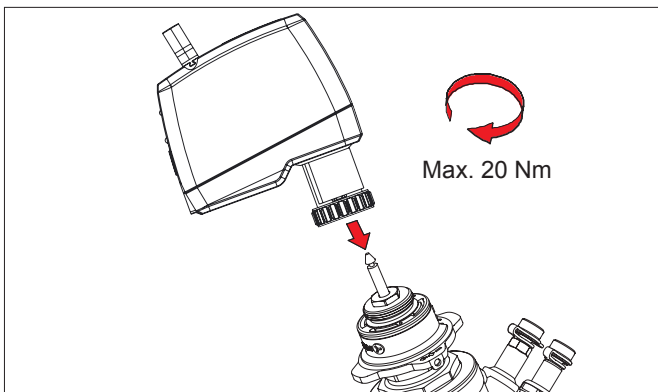
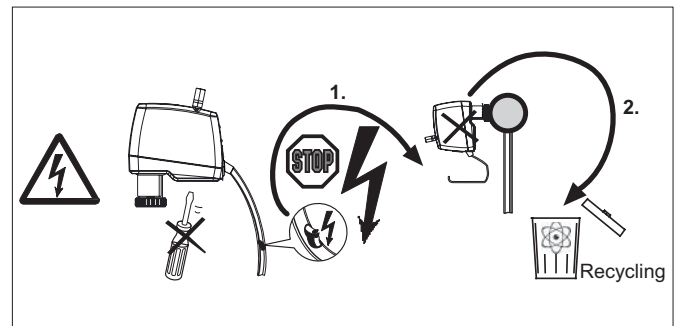
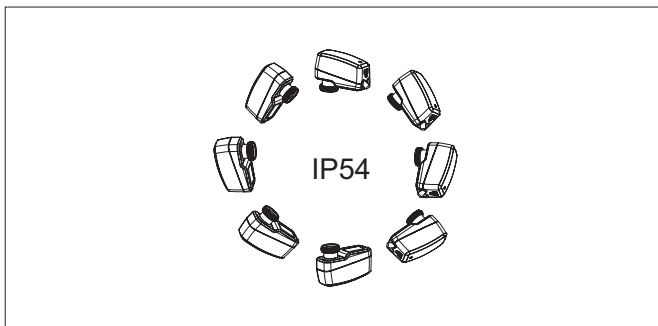
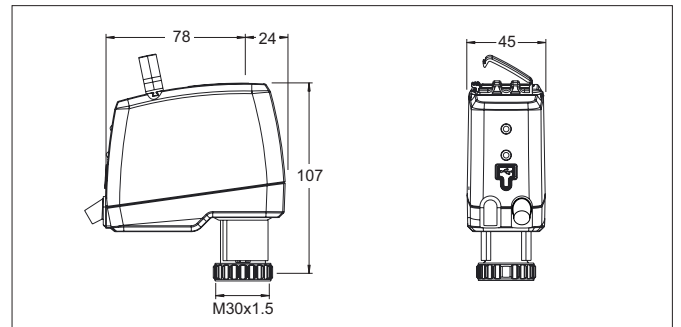


-20°C - +70°C      -4°F - +158°F      (5-95%RH, non-condensing)

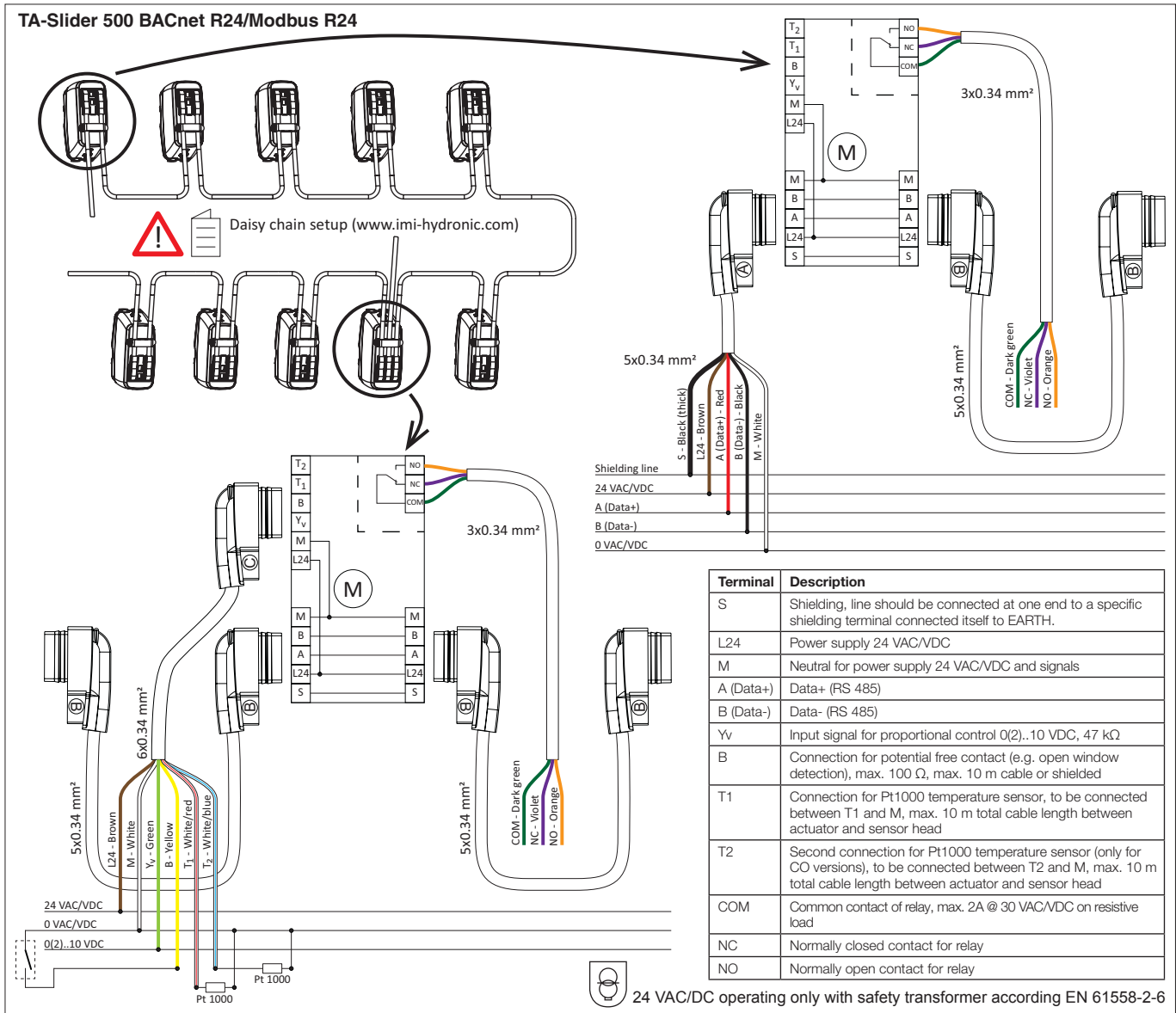
Software  
**A**  
EN 60730

Type  
**1AB**  
EN 60730

**IP54**  
EN 60730



# TA-Slider 500 BACnet R24/Modbus R24



## Quick start

Download on the **App Store**

ANDROID APP ON **Google Play**

IMI Hydronic Engineering  
HyTune app

## LED

LED Color	Symbol	Meaning
BLUE/RED		Change of network configuration or board starting
		Message received
		Ready - Waiting for messages
		Ready - Waiting for messages
		Ready - Waiting for messages
VIOLET		Ready - Waiting for messages
		Ready - Waiting for messages
		Ready - Waiting for messages
		Ready - Waiting for messages
		Ready - Waiting for messages

Bus LED

LED