

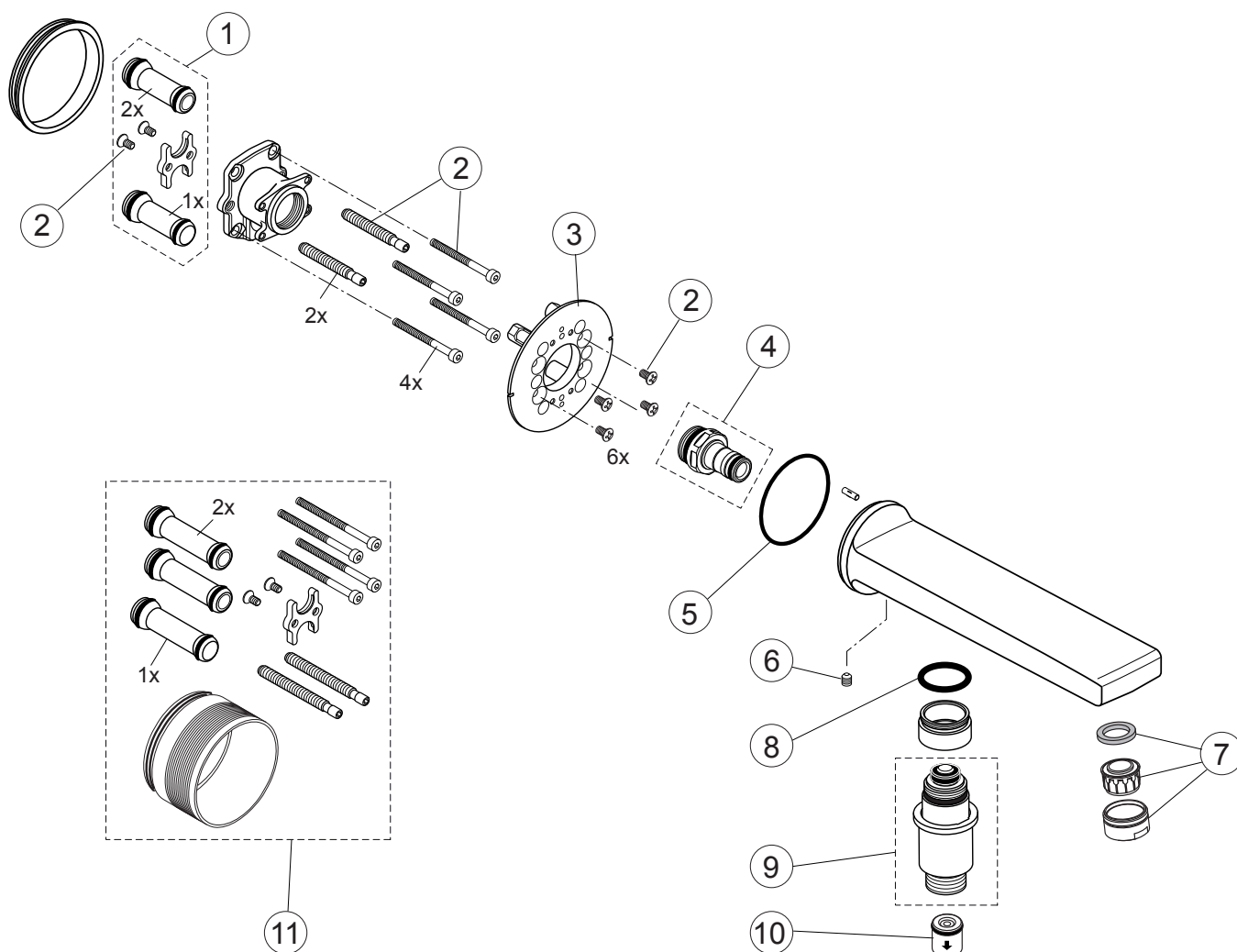
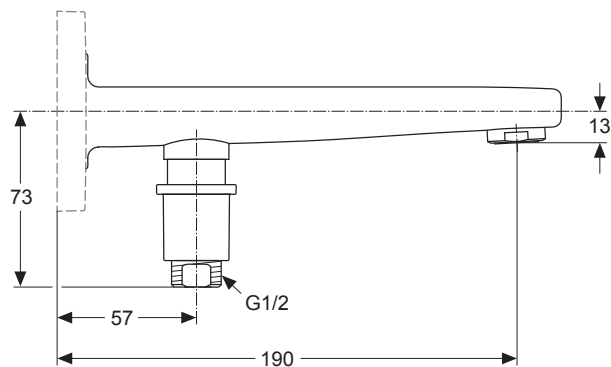


ArchiModule A1514..

Ideal Standard

Produced from: Dec. 2020

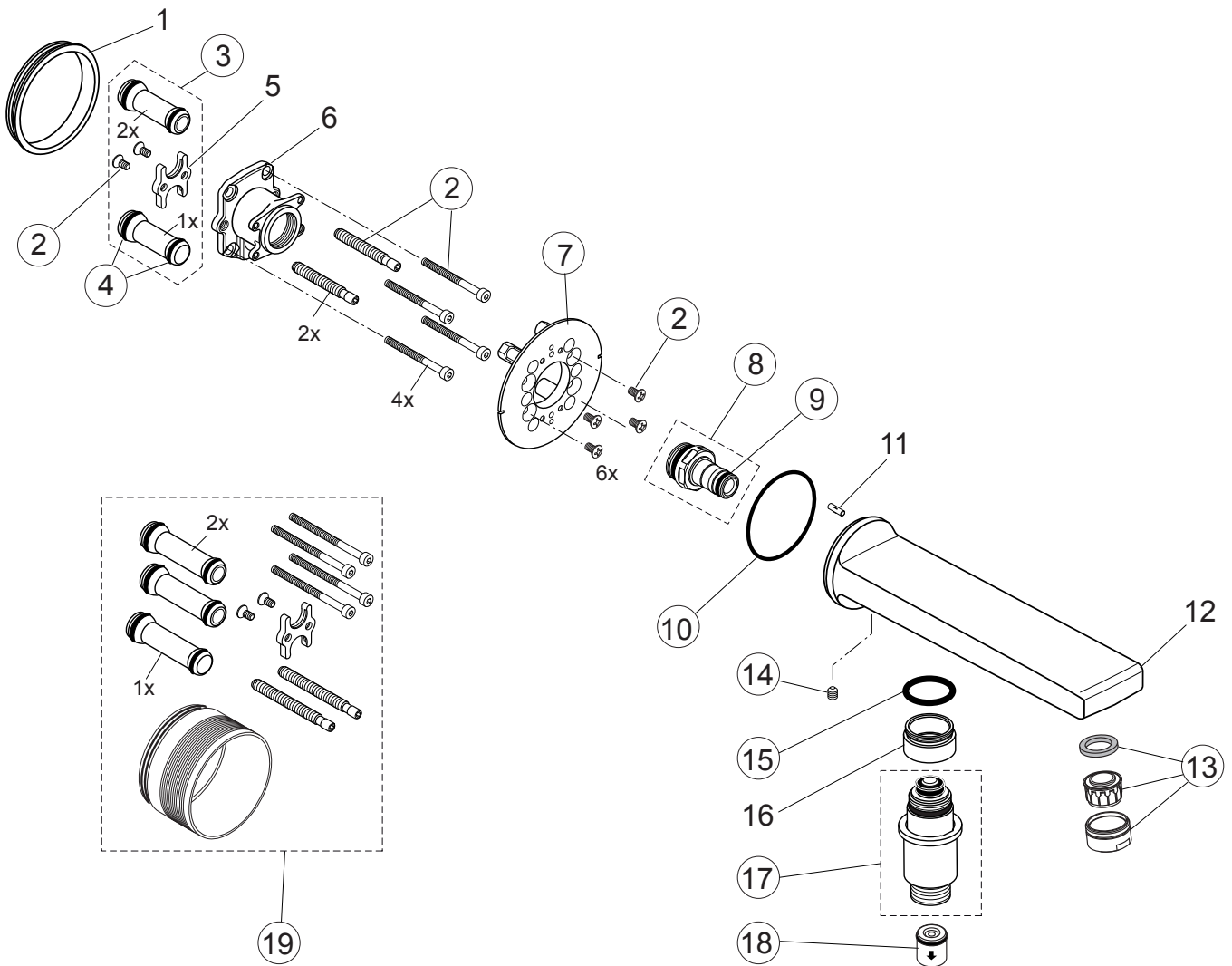
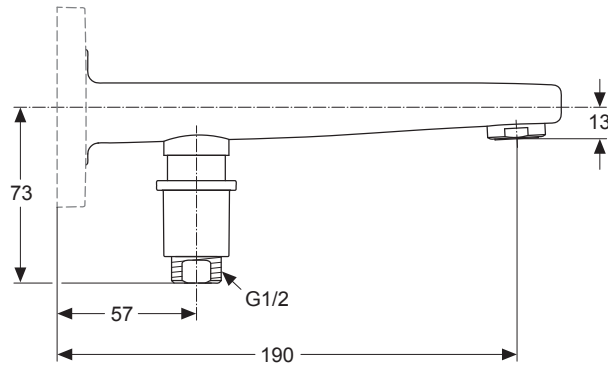
Kit 2 - Spout with Diverter Bathfiller
chrome
A1514 AA



Pos.	Description	Part-Number	Qty.	Pos.	Description	Part-Number	Qty.
1	Ball canal / connector	A 860 847 NU	2 pcs	9	Diverter complete	A 860 869 AA	1 pcs
2	Screw set vol./conn. valve	A 860 842 NU	1 pcs	10	Non-return valve DW15	A 962 594 NU	2 pcs
3	Escutcheon holder	A 860 853 NU	1 Set	11	Extension kit 15mm longer	A 963 738 NU	1 Set
4	Connector nipple open	A 860 867 NU	1 pcs				
5	O - ring Ø41 x 1,78	A 961 863 NU	1 pcs				
6	Thread pin M5x5	A 962 625 NU	1 Set				
7	Aerator cpl. M24x1 -C-	A 961 132 AA	1 pcs				
8	O - ring Ø 20x1,5	A 961 644 NU	1 Set				

Produced from: Nov. 2011 - Nov. 2020

Kit 2 - Spout with Diverter Bathfiller
chrome
A1514 AA



Replace XX with the appropriate finish code
chrome = AA,

Example spare part order:
A 961 132 AA in chrome

Pos.	Description	Part-Number	Qty.	Pos.	Description	Part-Number	Qty.
1	Seal ring			11	Groove pin 3x10 DIN1474		
2	Screw set vol./conn. valve	A 860 842 NU	1 pcs	12	Spout with diverter - 190mm projection		
3	Ball canal / connector	A 860 847 NU	2 pcs	13	Aerator compl. M24x1 -C-	A 961 132 XX	1 pcs
4	O-ring set Ø10 + Ø13x2,5	A 860 852 NU	1 Set	14	Thread pin M5x5	A 962 625 NU	1 Set
5	Flange / fixation / holder			15	O - ring Ø20x1,5	A 961 644 NU	1 Set
6	Body for vol. valve & accessories			16	Sleeve M25x1 outside - M22x1 inside		
7	Escutcheon holder	A 860 853 NU	1 Set	17	Diverter complete	A 860 869 XX	1 pcs
8	Connector nipple open	A 860 867 NU	1 pcs	18	Non-return valve DW15	A 962 594 NU	2 pcs
9	O - ring Ø10 x 2	A 963 495 NU	2 pcs	19	Extension kit 15mm longer	A 963 738 NU	1 Set
10	O - ring Ø41 x 1,78	A 961 863 NU	1 pcs				