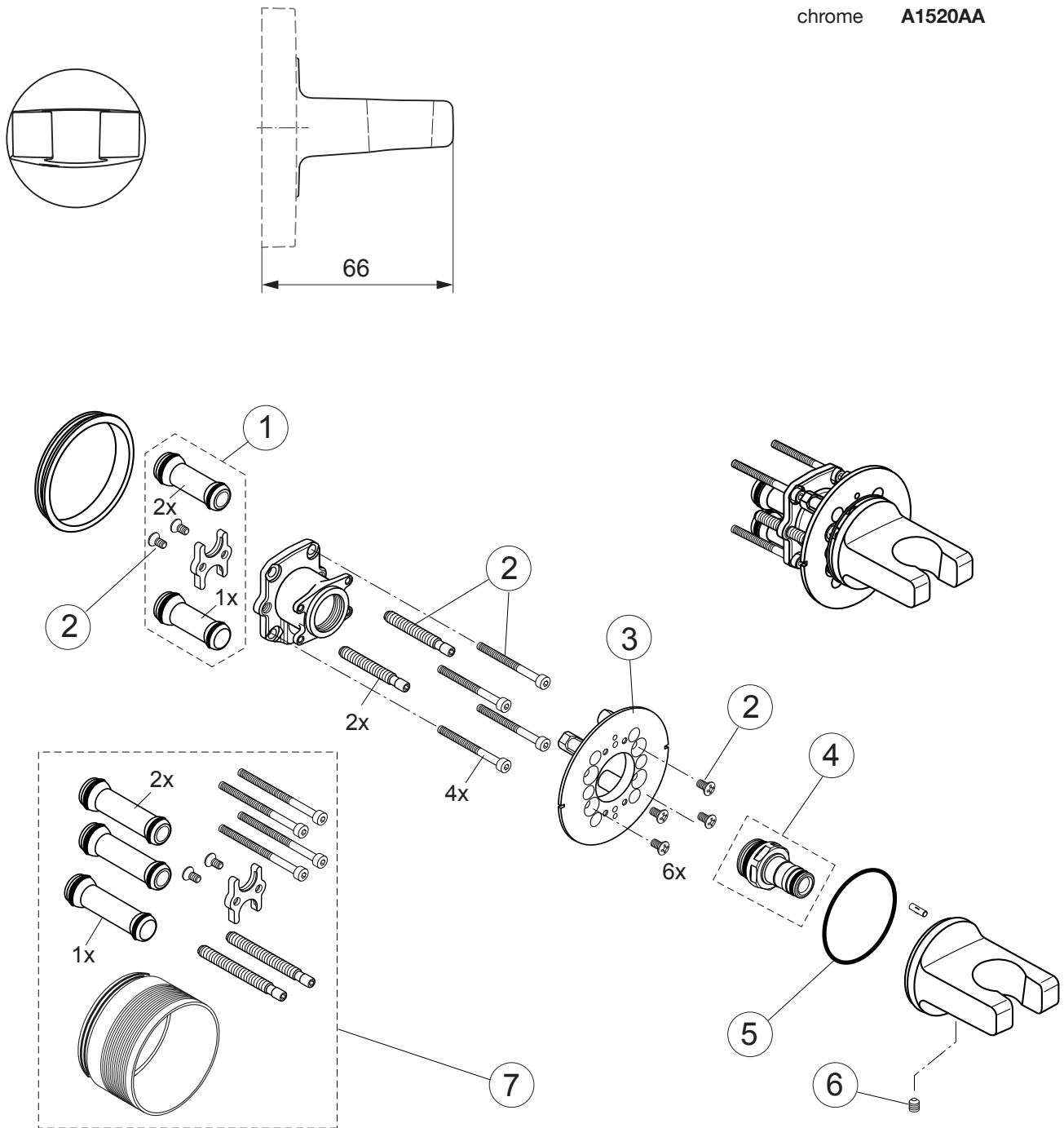


Produced from: Dec. 2020

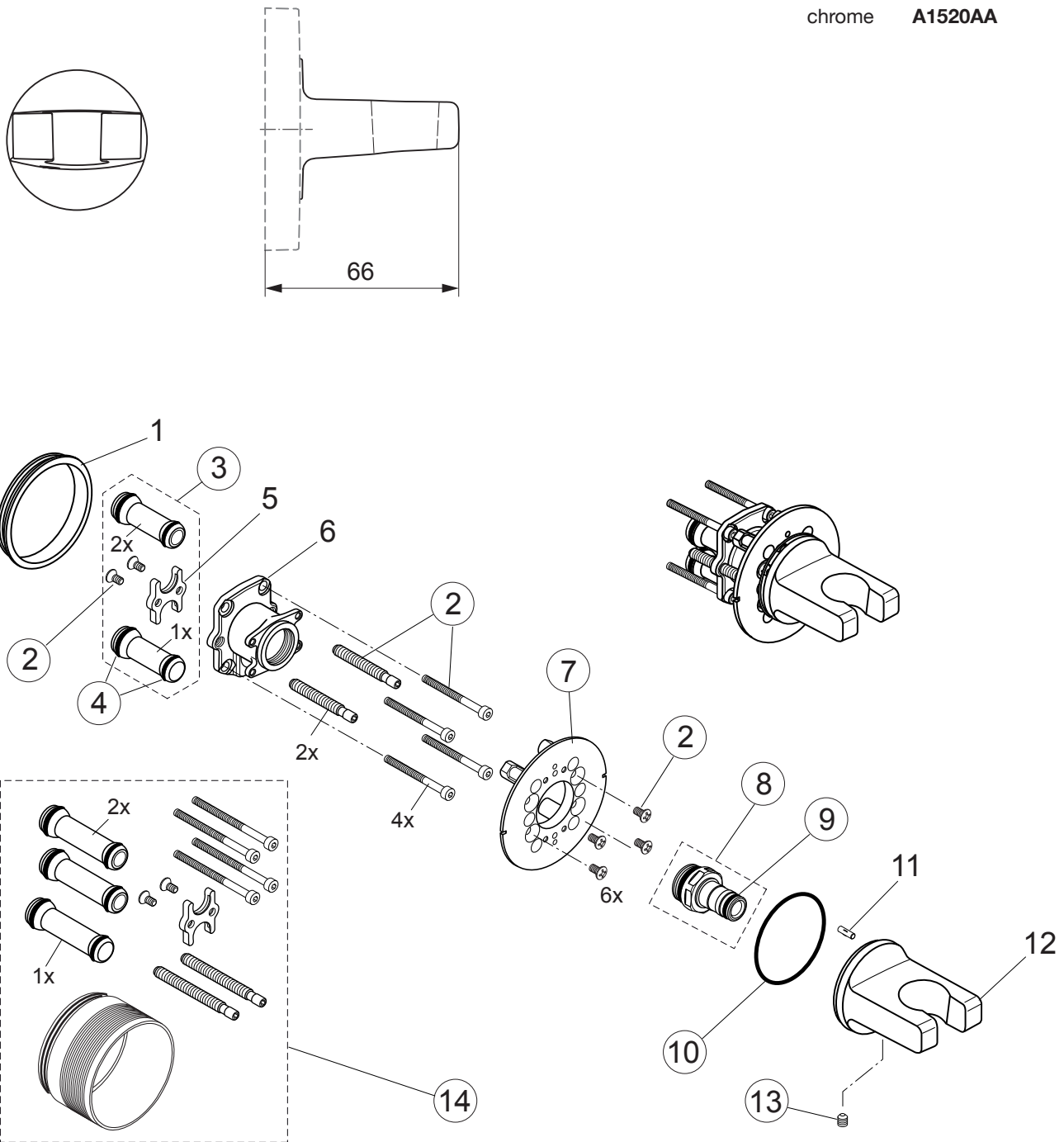
Kit 2 - Shower holder  
chrome **A1520AA**



Pos.	Description	Part-Number	Qty.	Pos.	Description	Part-Number	Qty.
1	Ball canal / connector	<b>A 860 847 NU</b>	2 pcs				
2	Screw set vol./conn. valve	<b>A 860 842 NU</b>	1 pcs				
3	Escutcheon holder	<b>A 860 853 NU</b>	1 Set				
4	Connector nipple open	<b>A 860 867 NU</b>	1 pcs				
5	O - ring Ø41 x 1,78	<b>A 961 863 NU</b>	1 pcs				
6	Thread pin M5x5	<b>A 962 625 NU</b>	1 Set				
7	Extension kit 15mm longer	<b>A 963 738 NU</b>	1 Set				

Produced from: Nov. 2011 - Nov. 2020

Kit 2 - Shower holder  
chrome **A1520AA**



Pos.	Description	Part-Number	Qty.	Pos.	Description	Part-Number	Qty.
1	Seal ring			11	Groove pin 3x10 DIN1474		
2	Screw set vol./conn. valve	<b>A 860 842 NU</b>	1 pcs	12	Shower holder		
3	Ball canal / connector	<b>A 860 847 NU</b>	2 pcs	13	Thread pin M5x5	<b>A 962 625 NU</b>	1 Set
4	O-ring set Ø10 + Ø13x2,5	<b>A 860 852 NU</b>	1 Set	14	Extension kit 15mm longer	<b>A 963 738 NU</b>	1 Set
5	Flange / fixation / holder						
6	Body for vol. valve & accessories						
7	Escutcheon holder	<b>A 860 853 NU</b>	1 Set				
8	Connector nipple open	<b>A 860 867 NU</b>	1 pcs				
9	O - ring Ø10 x 2	<b>A 963 495 NU</b>	2 pcs				
10	O - ring Ø41 x 1,78	<b>A 961 863 NU</b>	1 pcs				