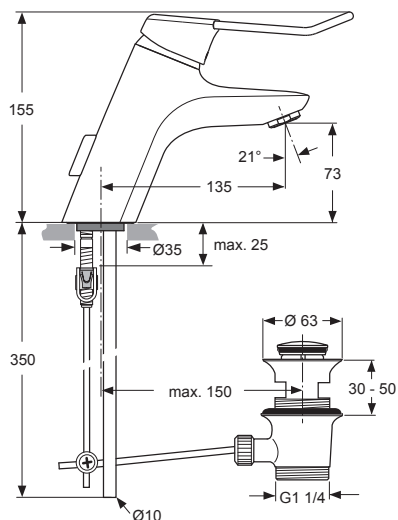
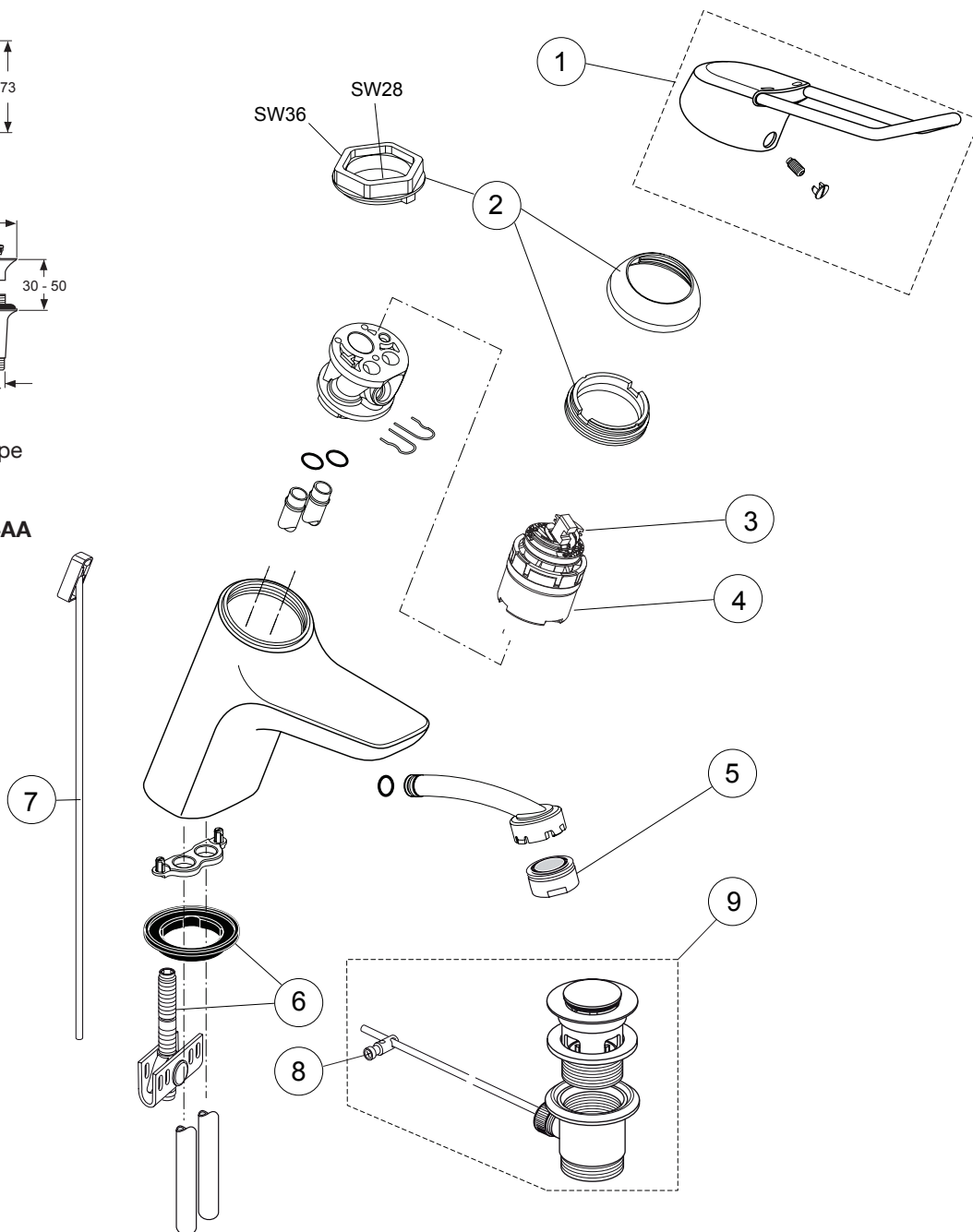




Produced from: Dec. 2020



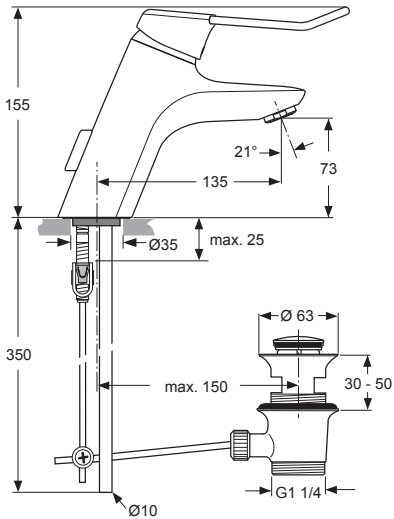
SL basin mixer with CU-pipe
with Lever medical
with pop-up waste
chrome **A5824AA**



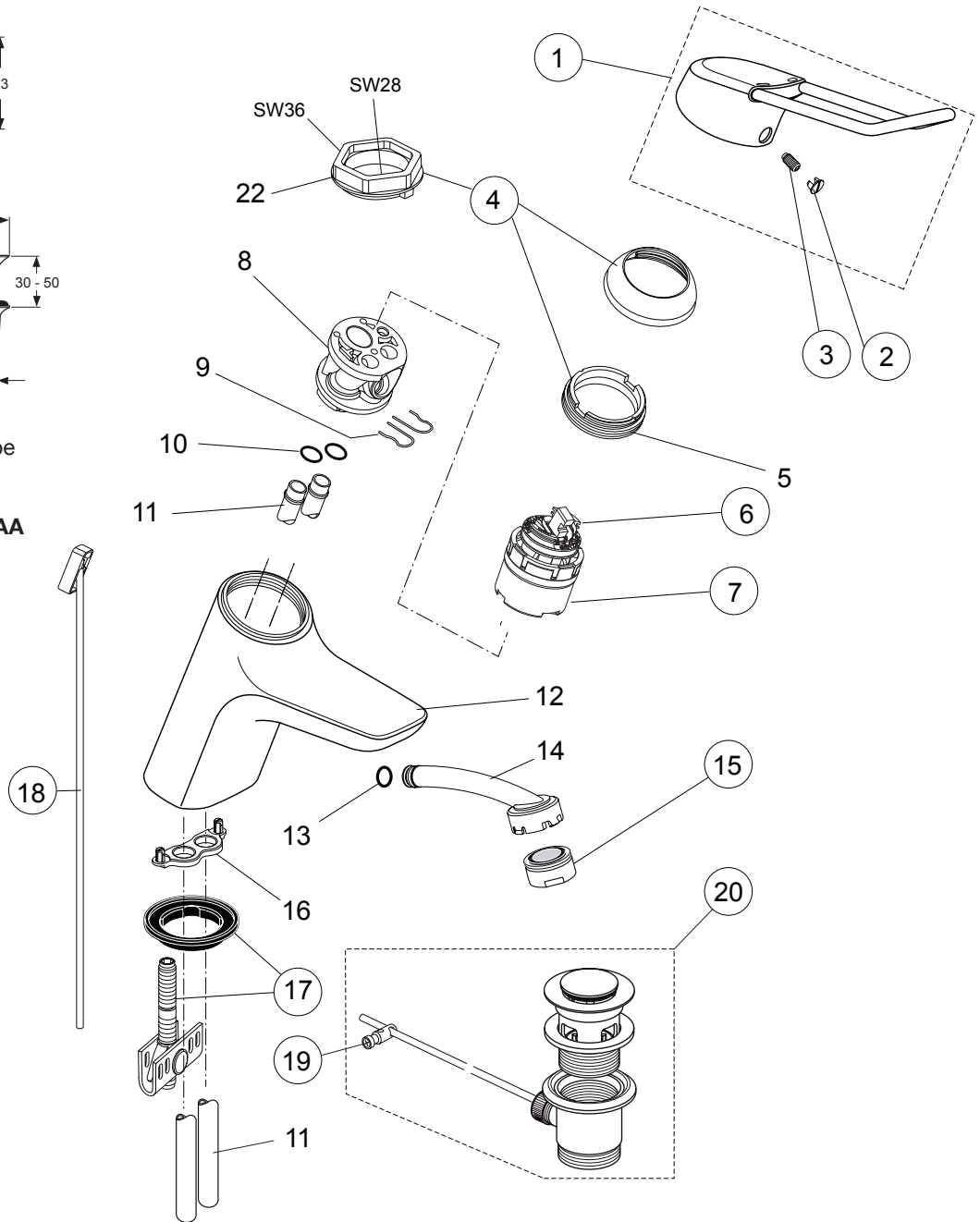
| Pos. | Description | Part-Number | Qty. | Pos. | Description | Part-Number | Qty. |
|------|------------------------------|----------------------|-------|------|-------------|-------------|------|
| 1 | Lever cpl. medical | B 961 003 AA | 1 pcs | | | | |
| 2 | Cover + key | B 960 862 AA | 1 pcs | | | | |
| 3 | Hot-Limit-Stop Cartridge | A 861 181 NU | 1 pcs | | | | |
| 4 | Cartridge Ø38 complete | A 861 156 NU* | 1 Set | | | | |
| 5 | Aerator-anti vantal with key | B 960 859 AA | 1 pcs | | | | |
| 6 | Fixation kit Top-Fix | A 960 949 NU | 1 Set | | | | |
| 7 | Lift rod with pull knob | A 963 357 AA | 1 pcs | | | | |
| 8 | Bracket | A 963 404 NU | 1 pcs | | | | |
| 9 | Pop-up waste complete | A 961 230 AA | 1 pcs | | | | |

(* not all parts needed)

Produced from: Jun. 2019 - Nov. 2020



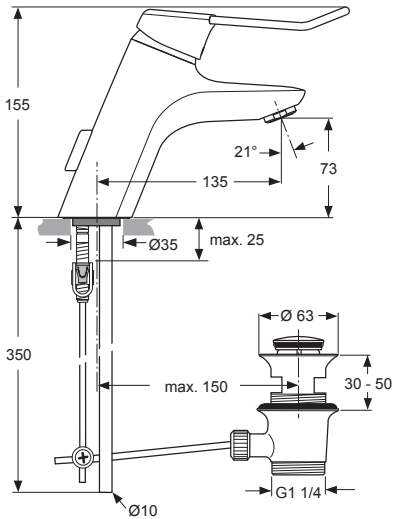
SL basin mixer with CU-pipe with Lever medical with pop-up waste chrome **A5824AA**



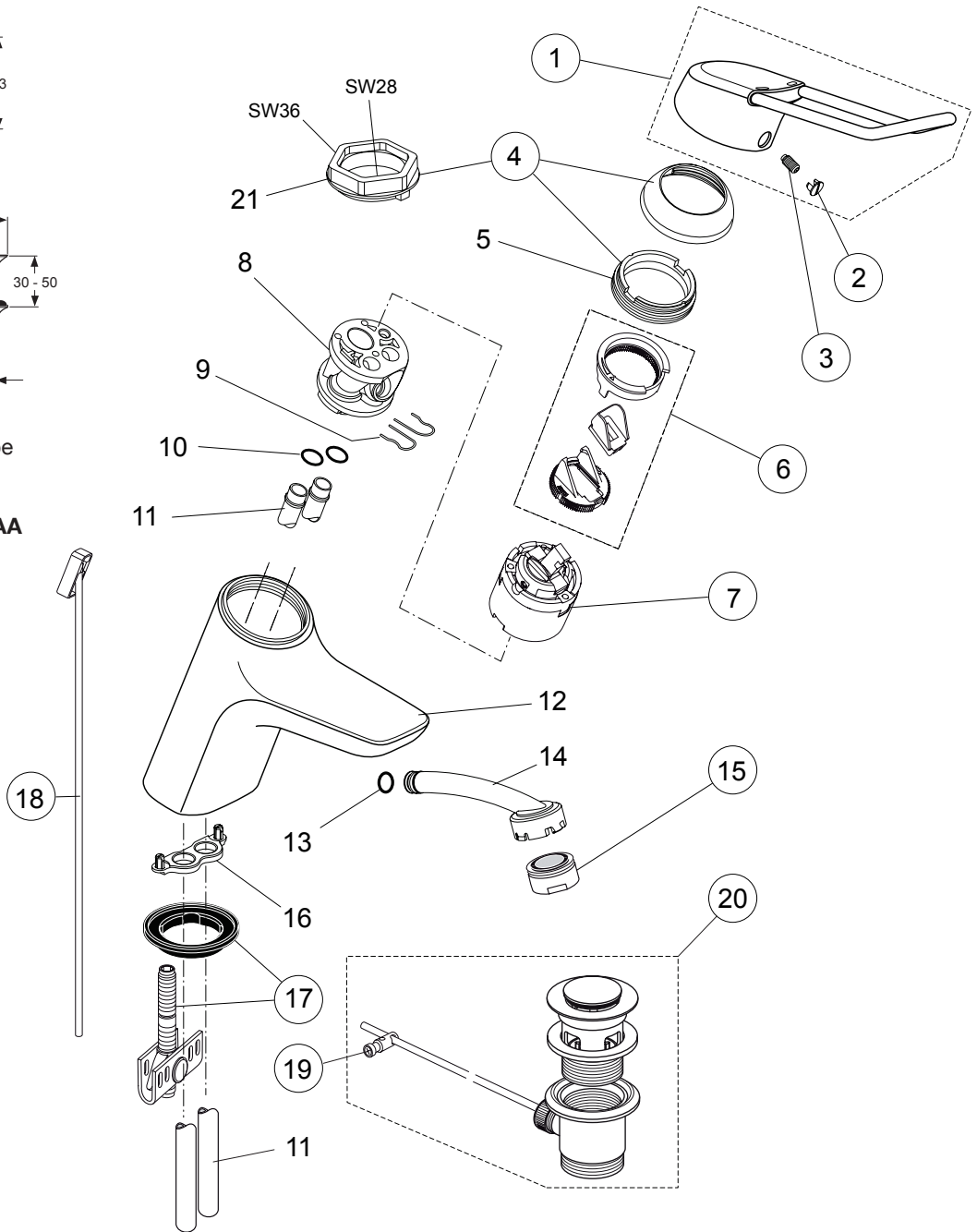
| Pos. | Description | Part-Number | Qty. | Pos. | Description | Part-Number | Qty. |
|------|-------------------------------|----------------------|-------|------|---|---------------------|-------|
| 1 | Lever compl. medical | B 961 003 AA | 1 pcs | 13 | O-ring Ø8x1,5 | | |
| 2 | Cap decorative chrome | B 960 473 AA | 1 pcs | 14 | Inlet WT with M24x1 | | |
| 3 | Thread pin M5x10 DIN915 | A 963 309 NU | 1 pcs | 15 | Aerator 4,7l/min - M24x1 - anti vantal, burglarproof with key | B 960 859 AA | 1 pcs |
| 4 | Cover + pos.5 + key | B 960 862 AA | 1 pcs | 16 | Cu-pipe fixation | | |
| 5 | Thread ring M43x1,5 / M41x1,5 | | | 17 | Fixation kit Top-Fix | A 960 949 NU | 1 Set |
| 6 | Hot-Limit-Stop Cartridge | A 861 181 NU | 1 pcs | 18 | Lift rod with pull knob | A 963 357 AA | 1 pcs |
| 7 | Cartridge Ø38 complete | A 861 156 NU* | 1 Set | 19 | Bracket | A 963 404 NU | 1 pcs |
| 8 | Manifold | | | 20 | Pop-up waste complete | A 961 230 AA | 1 pcs |
| 9 | Clip | | | 21 | Insert for socket wrench (key for pos. 5) | | |
| 10 | O-ring Ø 10x2,5 | | | | | | |
| 11 | Cu-pipe / clip-technology | | | | | | |
| 12 | Body / container | | | | | | |

(* not all parts needed)

Produced from: Dec. 2011 - Jun. 2019



SL basin mixer with CU-pipe with Lever medical with pop-up waste chrome **A5824AA**



Replace XX with the appropriate finish code
chrome = AA,

Example spare part order:
A 960 321 AA in chrome

| Pos. | Description | Part-Number | Qty. | Pos. | Description | Part-Number | Qty. |
|------|-------------------------------|---------------------|-------|------|---|---------------------|-------|
| 1 | Lever cpl. medical | B 961 003 XX | 1 pcs | 12 | Body / container | | |
| 2 | Cap decorative chrome | B 960 473 XX | 1 pcs | 13 | O-ring Ø 8x1,5 | | |
| 3 | Thread pin M5x10 DIN915 | A 963 309 NU | 1 pcs | 14 | Inlet WT with M24x1 | | |
| 4 | Cover + pos.5 + key | B 960 862 XX | 1 pcs | 15 | Aerator 4,7l/min - M24x1 - anti vantal, burglarproof with key | B 960 859 XX | 1 pcs |
| 5 | Thread ring M43x1,5 / M41x1,5 | | | 16 | Cu-pipe fixation | | |
| 6 | ECO-function / Hot limiter | A 963 314 NU | 1 Set | 17 | Fixation kit Top-Fix | A 960 949 NU | 1 Set |
| 7 | Cartridge Ø40 complete | A 963 785 NU | 1 pcs | 18 | Lift rod with pull knob | A 963 357 XX | 1 pcs |
| 8 | Manifold | | | 19 | Bracket | A 963 404 NU | 1 pcs |
| 9 | Clip | | | 20 | Pop-up waste complete | A 961 230 XX | 1 pcs |
| 10 | O-ring Ø 10x2,5 | | | 21 | Insert for socket wrench (key for pos. 5) | | |
| 11 | Cu-pipe / clip-technology | | | | | | |