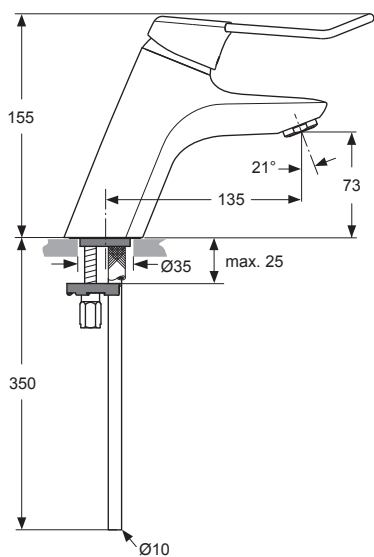




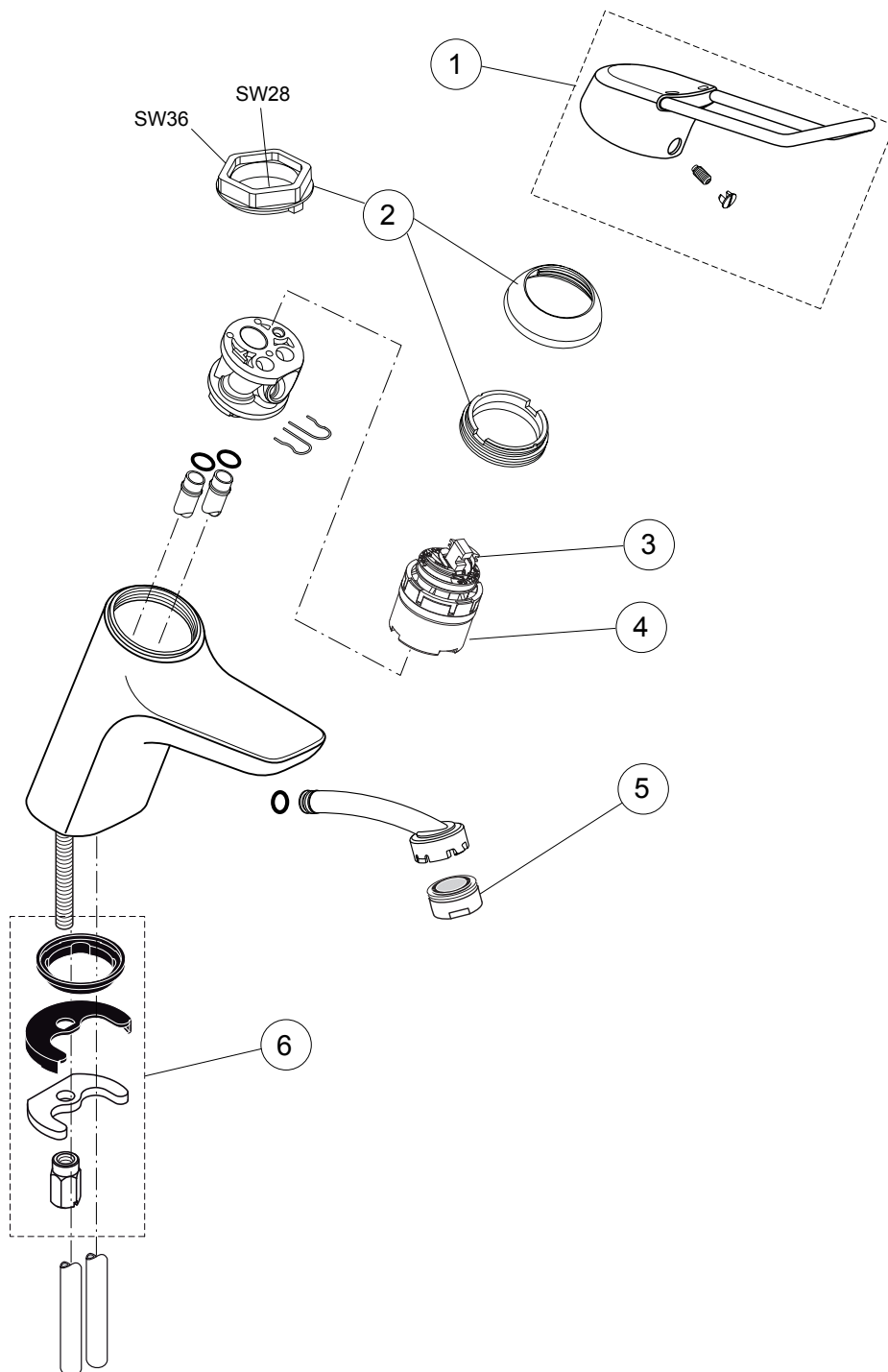
Ceramix Blue A5825..

Ideal Standard

Produced from: Dec. 2020



SL basin mixer with CU-pipe
with Lever medical
without pop-up waste
chrome **A5825AA**

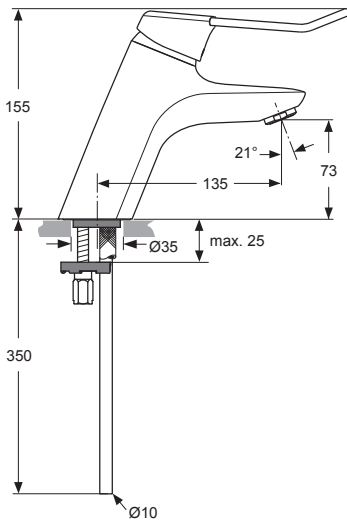


Pos.	Description	Part-Number	Qty.	Pos.	Description	Part-Number	Qty.
1	Lever cpl. medical	B 961 003 AA	1 pcs				
2	Cover + key	B 960 862 AA	1 pcs				
3	Hot-Limit-Stop Cartridge	A 861 181 NU	1 pcs				
4	Cartridge Ø38 complete	A 861 156 NU*	1 Set				
5	Aerator 4,7l/min - M24x1 - anti vantal, burglarproof with key	B 960 859 AA	1 pcs				
6	Fixation kit	A 960 001 NU	1 Set				

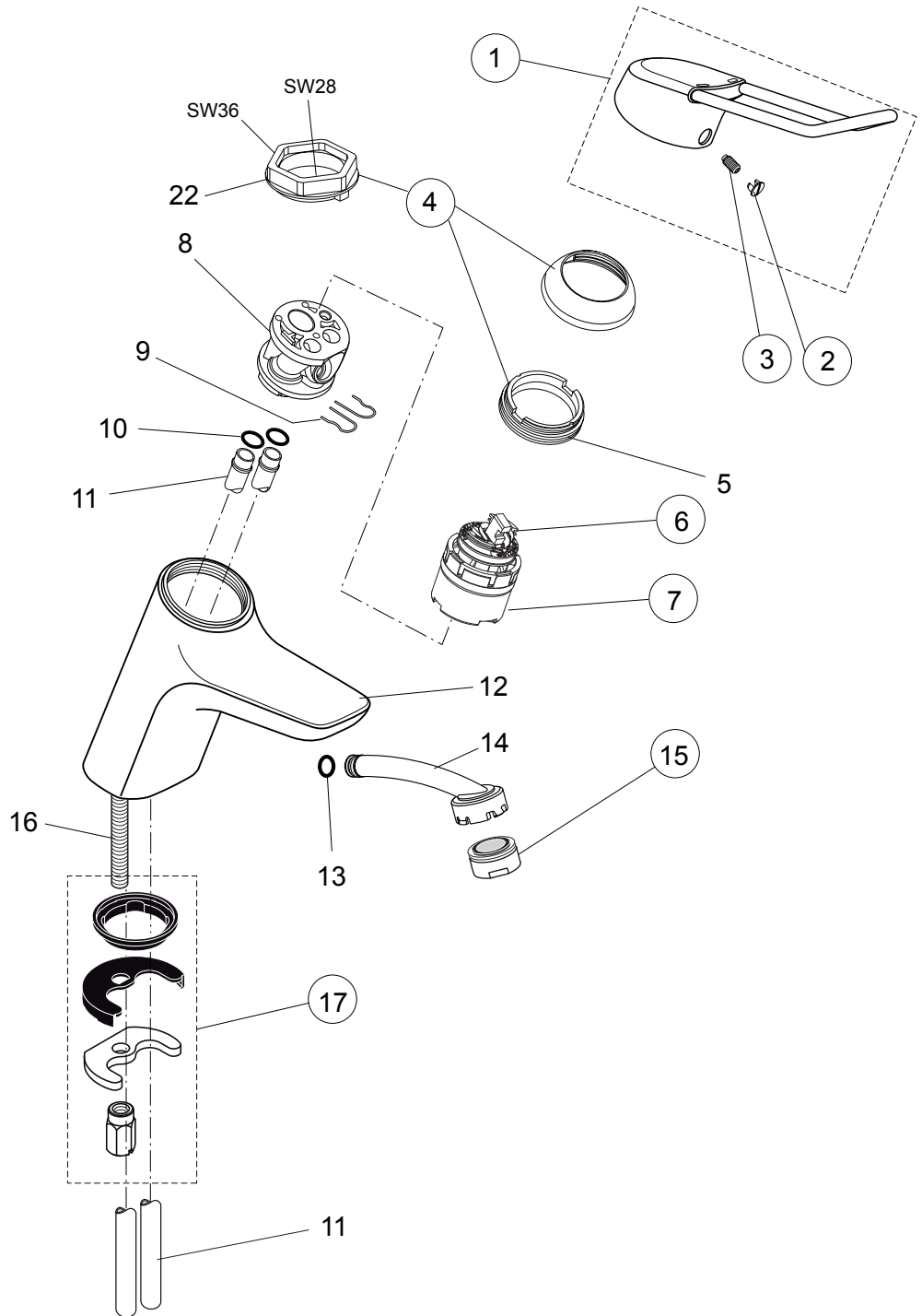
(* not all parts needed)

Ceramix Blue

Produced from: Jun. 2019 - Nov. 2020



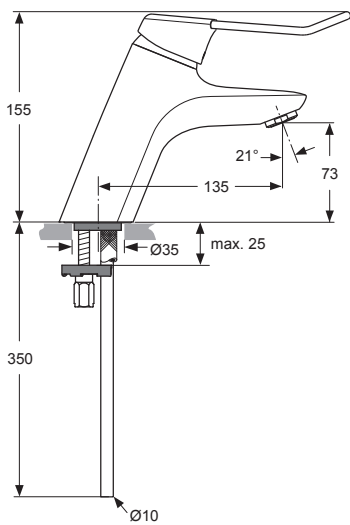
SL basin mixer with CU-pipe
with Lever medical
without pop-up waste
chrome **A5825AA**



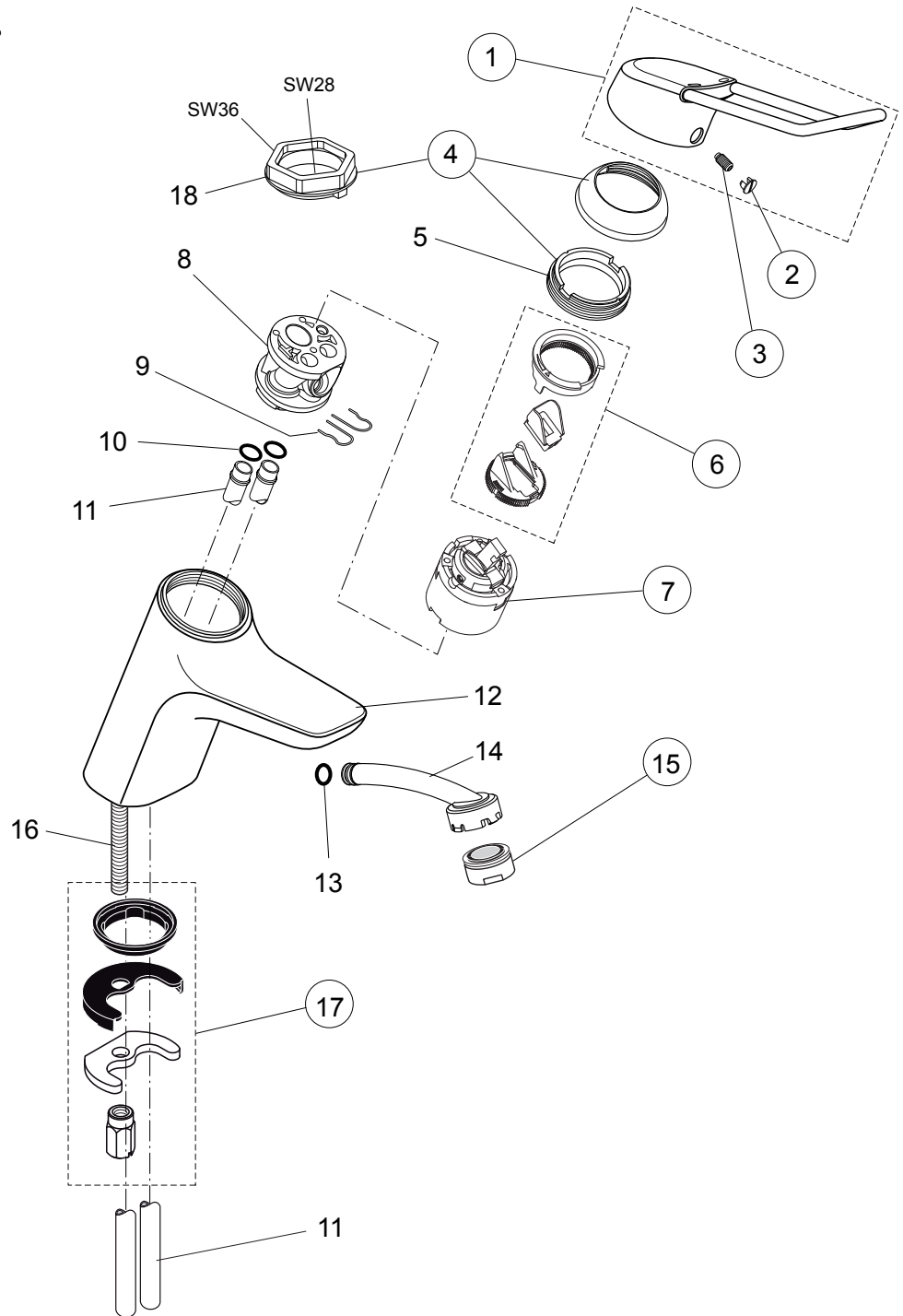
Pos.	Description	Part-Number	Qty.	Pos.	Description	Part-Number	Qty.
1	Lever cpl. medical	B 961 003 AA	1 pcs	12	Body / container		
2	Cap decorative chrome	B 960 473 AA	1 pcs	13	O-ring Ø 8x1,5		
3	Thread pin M5x10 DIN915	A 963 309 NU	1 pcs	14	Inlet WT with M24x1		
4	Cover + pos.5 + key	B 960 862 AA	1 pcs	15	Aerator 4,7l/min - M24x1 - anti vantal, burglarproof with key	B 960 859 AA	1 pcs
5	Thread ring M43x1,5 / M41x1,5			16	Bolt M8 x 63		
6	Hot-Limit-Stop Cartridge	A 861 181 NU	1 pcs	17	Fixation kit	A 960 001 NU	1 Set
7	Cartridge Ø38 complete	A 861 156 NU*	1 Set	18	Insert for socket wrench (key for pos. 5)		
8	Manifold						
9	Clip						
10	O-ring Ø 10x2,5						
11	Cu-pipe / clip-technology						

(* not all parts needed)

Produced from: Dec. 2011 - Jun 2019



SL basin mixer with CU-pipe
with Lever medical
without pop-up waste
chrome **A5825AA**



Replace XX with the appropriate finish code
chrome = AA,

Example spare part order:
B 961 003 AA in chrome

Pos.	Description	Part-Number	Qty.	Pos.	Description	Part-Number	Qty.
1	Lever cpl. medical	B 961 003 XX	1 pcs	12	Body / container		
2	Cap decorative chrome	B 960 473 XX	1 pcs	13	O-ring Ø 8x1,5		
3	Thread pin M5x10 DIN915	A 963 309 NU	1 pcs	14	Inlet WT with M24x1		
4	Cover + pos.5 + key	B 960 862 XX	1 pcs	15	Aerator 4,7l/min - M24x1 - anti vantal, burglarproof with key	B 960 859 XX	1 pcs
5	Thread ring M43x1,5 / M41x1,5			16	Bolt M8 x 63		
6	ECO-function / Hot limiter	A 963 314 NU	1 Set	17	Fixation kit	A 960 001 NU	1 Set
7	Cartridge Ø40 complete	A 963 785 NU	1 pcs	18	Insert for socket wrench (key for pos. 5)		
8	Manifold						
9	Clip						
10	O-ring Ø 10x2,5						
11	Cu-pipe / clip-technology						