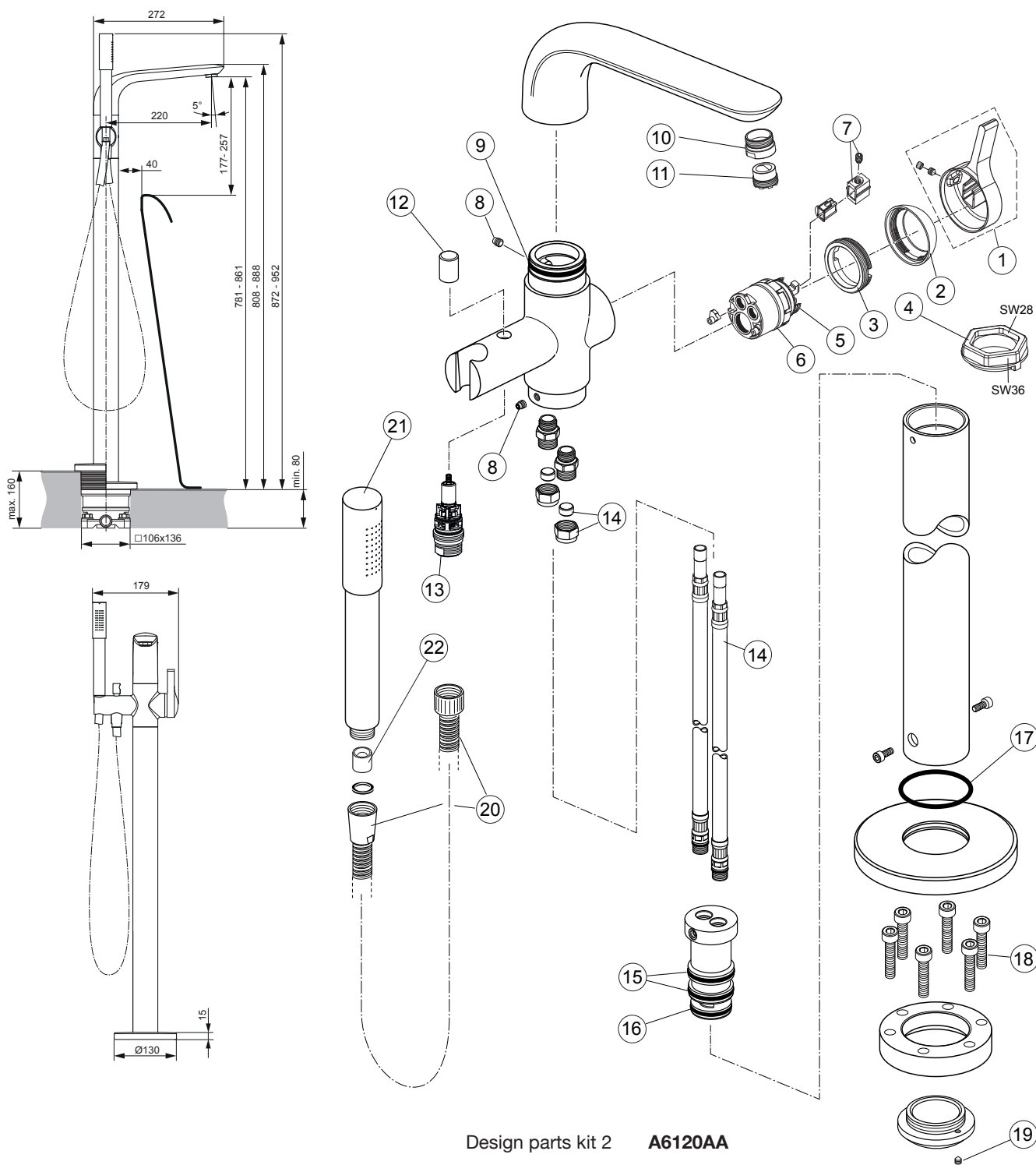




Melange floorstanding A6120AA

Ideal Standard

Produced: from Dec. 2020



Design parts kit 2 A6120AA

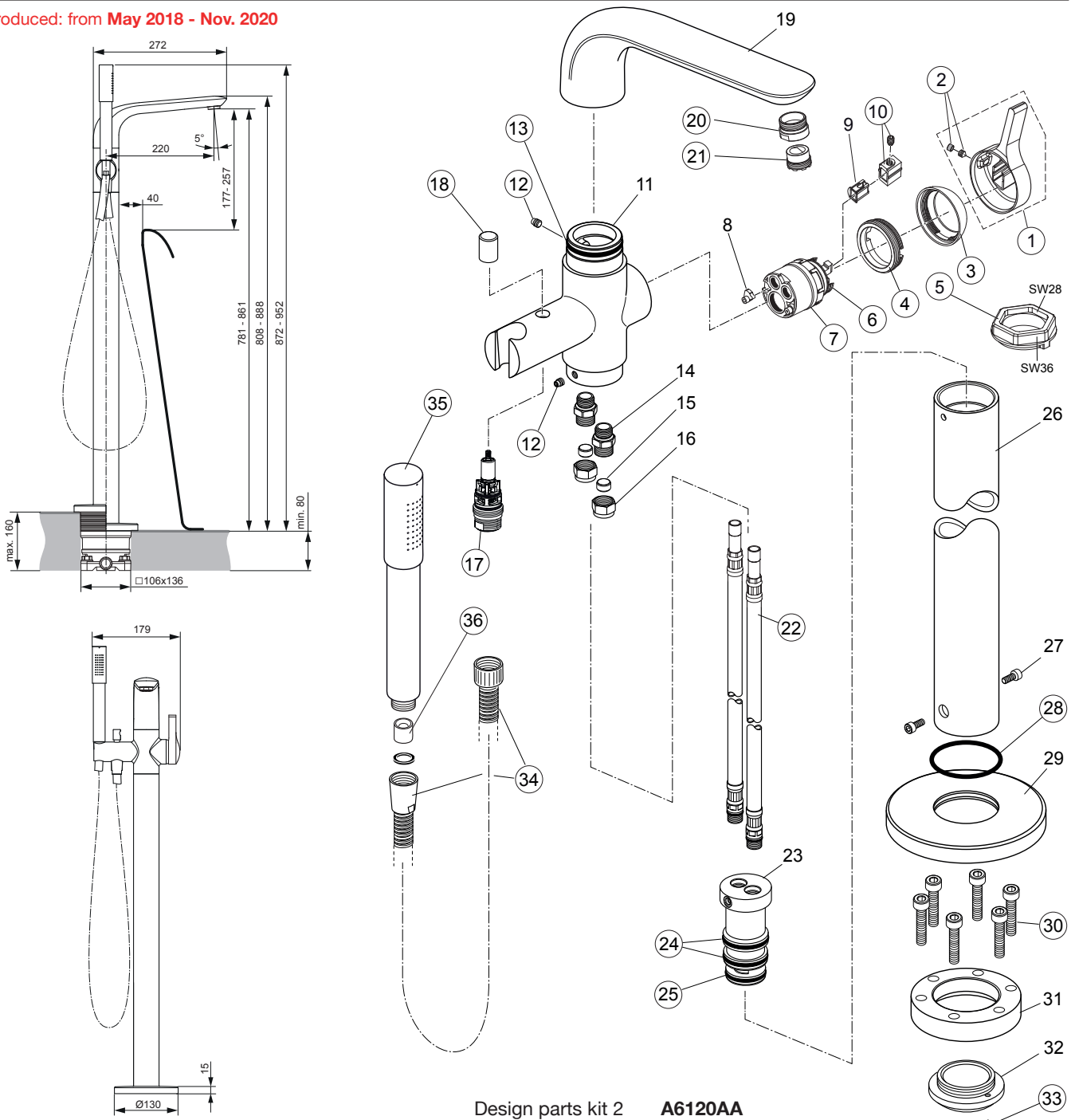
Pos.	Description	Part-Number	Qty.	Pos.	Description	Part-Number	Qty.
1	Lever cpl. with Logo IS	A 861 316 AA	1 Set	13	Diverter complete	B 960 167 AA	1 Set
2	Cover cap	B 961 373 AA	1 pcs	14	Flex. hose + Pos.15 ,16	A 861 140 NU	1 pcs
3	Thread ring M36x1 + Key	B 961 374 NU	1 pcs	15	O - ring Ø 29,82 x 2,62	N 960 006 NU	5 pcs
4	Key for pos. 3	B 960 650 NU	1 pcs	16	O - ring Ø 28,3 x 1,78	A 961 667 NU	2 pcs
5	Hot limit stop	A 861 181 NU	1 pcs	17	O - ring Ø 53,57 x 3,53	A 962 530 NU	1 Set
6	Cartridge Ø38 + Pos. 4	A 861 156 NU*	1 Set	18	Cylindrical screw M8x35	A 960 242 NU	1 pcs
7	Handle adapter + thread pin	A 861 317 NU	1 Set	19	Thread pin M5x6 DIN914	A 962 041 NU	1 pcs
8	Thread pin M6x8	F 960 985 NU	2 pcs	20	Flex. hose G1/2 - 125cm	A 3306 AA	1 pcs
9	O - ring Ø 39,94 x 2,62	A 960 331 NU	1 Set	21	Hand spray	F 960 900 AA	1 pcs
10	Aerator M24x1 universal	A 962 080 AA	1 Set	22	Flow regulator - 8l/min	B 961 093 NU	1 pcs
11	Aerator insert cache	A 960 191 NU	1 pcs				
12	Pull knob	B 960 486 AA	1 pcs				

*Universal set (not all parts needed)

Melange floorstanding A6120AA



Produced: from May 2018 - Nov. 2020



Design parts kit 2 **A6120AA**

Pos.	Description	Part-Number	Qty.	Pos.	Description	Part-Number	Qty.
1	Lever cpl. with Logo IS	A 861 316 AA	1 Set	20	Aerator M24x1 universal	A 962 080 AA	1 Set
2	Thread pin M5x6 + Cap	A 962 041 NU*	1 Set	21	Aerator insert cache	A 960 191 NU	1 pcs
3	Cover cap	B 961 373 AA	1 pcs	22	Flex. hose + Pos.15 ,16	A 861 140 NU	1 pcs
4	Thread ring M36x1 + Key	B 961 374 NU	1 pcs	23	Manifold		
5	Key for pos. 4	B 960 650 NU	1 pcs	24	O - ring Ø 29,82 x 2,62	N 960 006 NU	5 pcs
6	Hot limit stop	A 861 181 NU	1 pcs	25	O - ring Ø 28,3 x 1,78	A 961 667 NU	2 pcs
7	Cartridge Ø38 + Pos. 5 + 8	A 861 156 NU*	1 Set	26	Pipe freestanding		
8	Pin (contained in Pos. 7)			27	Cylindrical screw M5x12 DIN912 Inox A2		
9	Insert (contained in Pos. 7)			28	O - ring Ø 53,57 x 3,53	A 962 530 NU	1 Set
10	Handle adapter + thread pin	A 861 317 NU	1 Set	29	Escutcheon Ø 130m		
11	Body			30	Cylindrical screw M8x35	A 960 242 NU	1 pcs
12	Thread pin M6x8	F 960 985 NU	2 pcs	31	Screw flange		
13	O - ring Ø 39,94 x 2,62	A 960 331 NU	1 Set	32	Screw ring		
14	Nipple for cutting ring			33	Thread pin M5x6 DIN914	A 962 041 NU	1 pcs
15	Compression ring Ø10 inside (including in Pos.22)			34	Flex. hose G1/2 - 125cm	A 3306 AA	1 pcs
16	Compression nut M15x1 (including in Pos.22)			35	Hand spray	F 960 900 AA	1 pcs
17	Diverter complete	B 960 167 AA	1 Set	36	Flow regulator - 8l/min	B 961 093 NU	1 pcs
18	Pull knob	B 960 486 AA	1 pcs				
19	Spout						

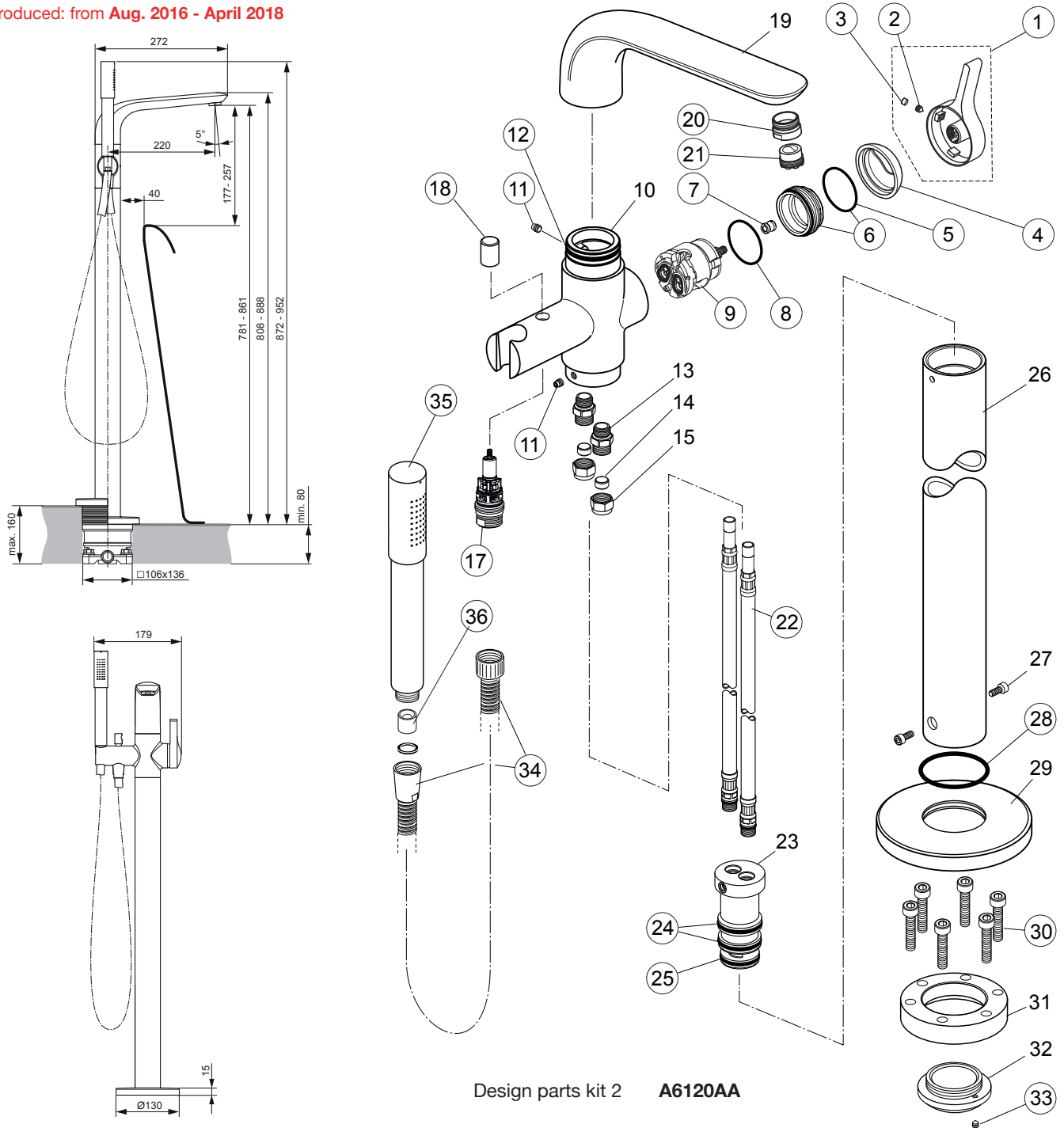
*Universal set (not all parts needed)

Melange

Melange floorstanding A6120AA



Produced: from Aug. 2016 - April 2018



Design parts kit 2 **A6120AA**

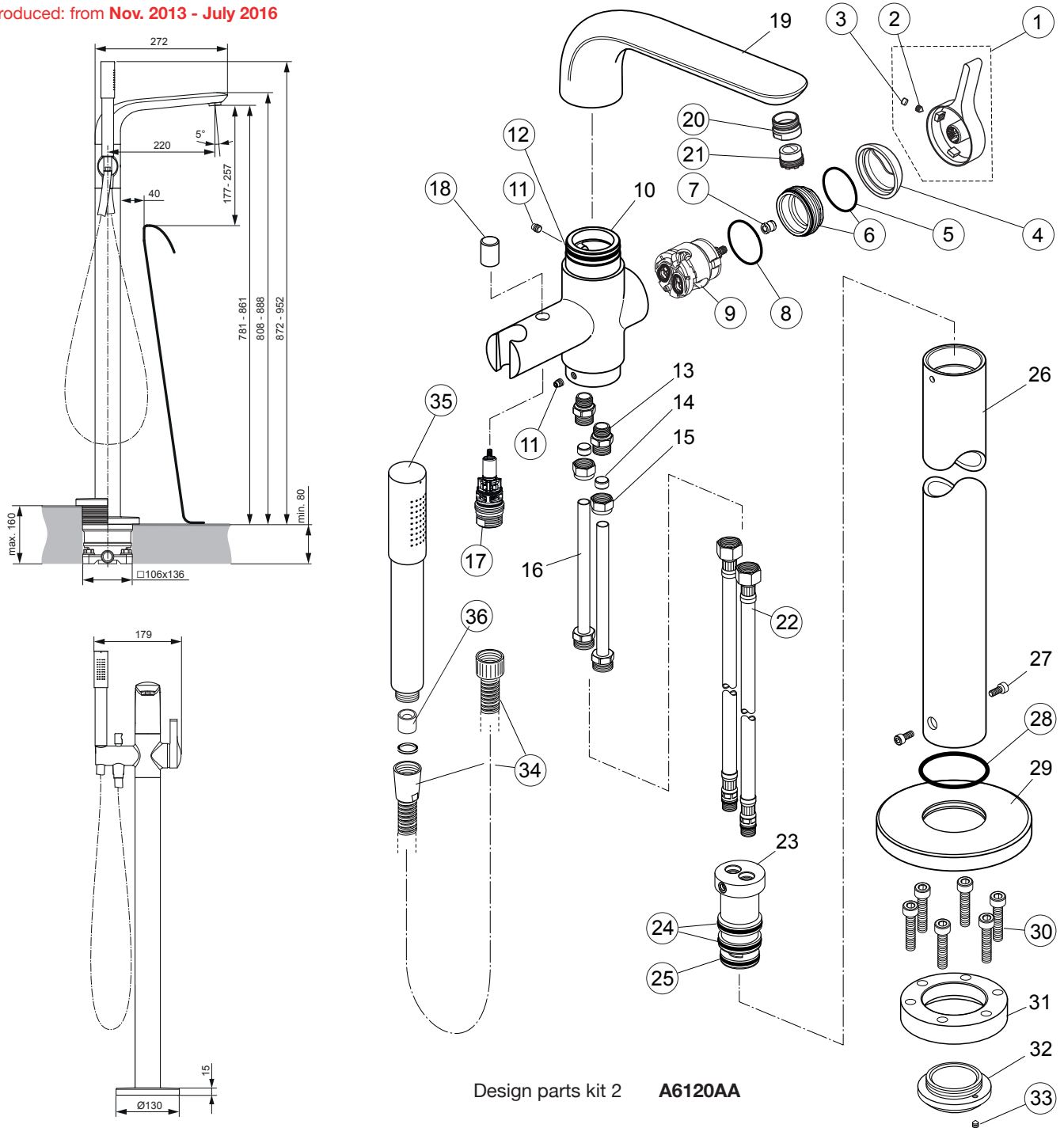
Pos.	Description	Part-Number	Qty.	Pos.	Description	Part-Number	Qty.
1	Lever complete	A 962 068 AA	1 Set	19	Spout		
2	Thread pin M5x6 DIN914	A 963 667 NU	1 pcs	20	Aerator M24x1 universal	A 962 080 AA	1 Set
3	Rubber button	A 963 751 NU	1 pcs	21	Aerator insert cache	A 960 191 NU	1 pcs
4	Cartridge cover (Cap)	A 961 485 AA	1 pcs	22	Flex. hose + Pos.14,15	A 861 140 NU	1 pcs
5	O - ring Ø 28,3 x 1,78	A 961 667 NU	2 pcs	23	Manifold		
6	Clamping nut M43 x1,5	N 960 019 AA	1 Set	24	O - ring Ø 29,82 x 2,62	N 960 006 NU	5 pcs
7	Nut for handle adaption	A 963 372 NU	1 pcs	25	O - ring Ø 28,3 x 1,78	A 961 667 NU	2 pcs
8	O - ring Ø 35 x 3,2	A 962 715 NU	1 pcs	26	Pipe freestanding		
9	Cartridge + pos.8	A 860 621 NU	1 Set	27	Cylindrical screw M5x12 DIN912 Inox A2		
10	Body			28	O - ring Ø 53,57 x 3,53	A 962 530 NU	1 Set
11	Thread pin M6x8	F 960 985 NU	2 pcs	29	Escutcheon Ø 130mm		
12	O - ring Ø 39,94 x 2,62	A 960 331 NU	1 Set	30	Cylindrical screw M8x35	A 960 242 NU	1 pcs
13	Nipple for cutting ring			31	Screw flange		
14	Compression ring Ø10 inside (including in Pos.22)			32	Screw ring		
15	Compression nut M15x1 (including in Pos.22)			33	Thread pin M5x6 DIN914	A 962 041 NU	1 pcs
17	Diverter complete	B 960 167 AA	1 Set	34	Flex. hose G1/2 - 125cm	A 3306 AA	1 pcs
18	Pull knob	B 960 486 AA	1 pcs	35	Hand spray	F 960 900 AA	1 pcs
				36	Flow regulator - 8l/min	B 961 093 NU	1 pcs

Melange

Melange floorstanding A6120AA



Produced: from Nov. 2013 - July 2016



Design parts kit 2 A6120AA

Pos.	Description	Part-Number	Qty.	Pos.	Description	Part-Number	Qty.
1	Lever complete	A 962 068 AA	1 Set	19	Spout		
2	Thread pin M5x6 DIN914	A 963 667 NU	1 pcs	20	Aerator M24x1 universal	A 962 080 AA	1 Set
3	Rubber button	A 963 751 NU	1 pcs	21	Aerator insert cache	A 960 191 NU	1 pcs
4	Cartridge cover (Cap)	A 961 485 AA	1 pcs	22	Flex. hose M12x1 Ø10	F 960 986 NU	1 pcs
5	O - ring Ø 28,3 x 1,78	A 961 667 NU	2 pcs	23	Manifold		
6	Clamping nut M43 x1,5	N 960 019 AA	1 Set	24	O - ring Ø 29,82 x 2,62	N 960 006 NU	5 pcs
7	Nut for handle adaption	A 963 372 NU	1 pcs	25	O - ring Ø 28,3 x 1,78	A 961 667 NU	2 pcs
8	O - ring Ø 35 x 3,2	A 962 715 NU	1 pcs	26	Pipe freestanding		
9	Cartridge + pos.8	A 860 621 NU	1 Set	27	Cylindrical screw M5x12 DIN912 Inox A2		
10	Body			28	O - ring Ø 53,57 x 3,53	A 962 530 NU	1 Set
11	Thread pin M6x8	F 960 985 NU	2 pcs	29	Escutcheon Ø 130mm		
12	O - ring Ø 39,94 x 2,62	A 960 331 NU	1 Set	30	Cylindrical screw M8x35	A 960 242 NU	1 pcs
13	Nipple for cutting ring			31	Screw flange		
14	Compression ring Ø10 inside (including in Pos.22)			32	Screw ring		
15	Compression nut M15x1 (including in Pos.22)			33	Thread pin M5x6 DIN914	A 962 041 NU	1 pcs
16	Connecting tube			34	Flex. hose G1/2 - 125cm	A 3306 AA	1 pcs
17	Diverter complete	B 960 167 AA	1 Set	35	Hand spray	F 960 900 AA	1 pcs
18	Pull knob	B 960 486 AA	1 pcs	36	Flow regulator - 8l/min	B 961 093 NU	1 pcs

Melange