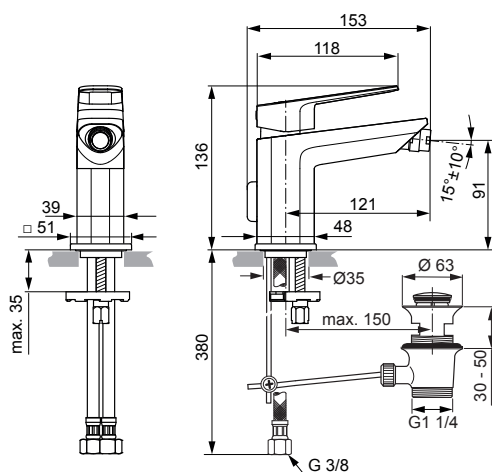
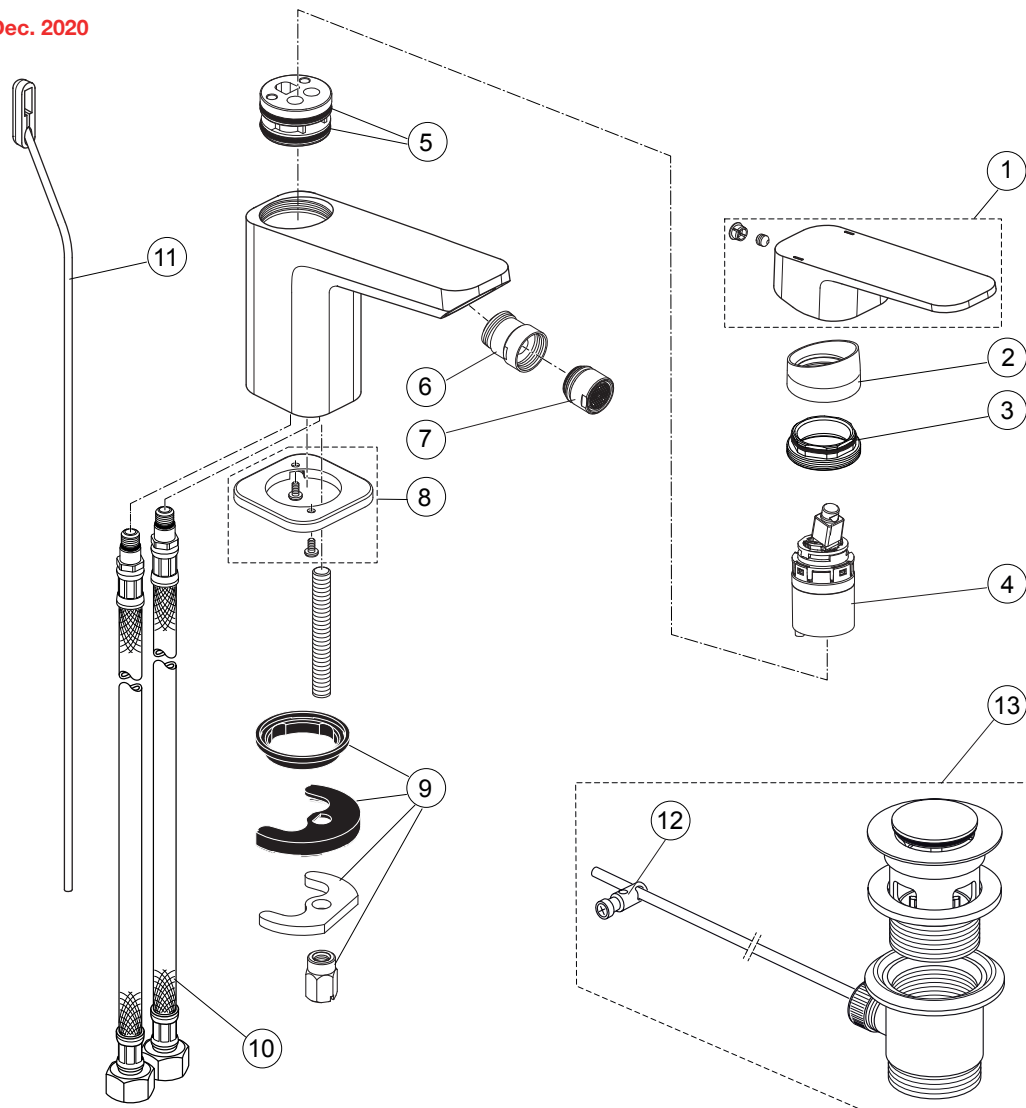




# Tonic II A6336..

Ideal Standard

Produced since: Dec. 2020



Bidet flex. hose  
with pop-up waste  
chrome **A6336AA**

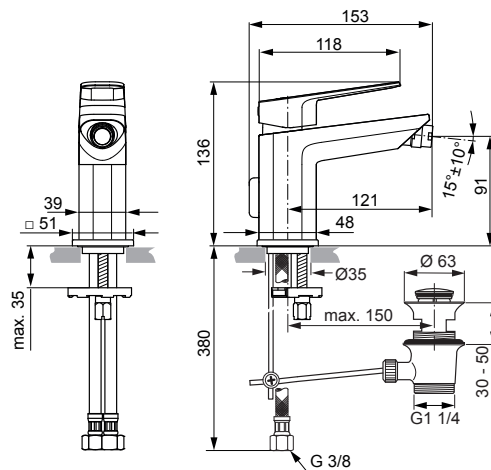
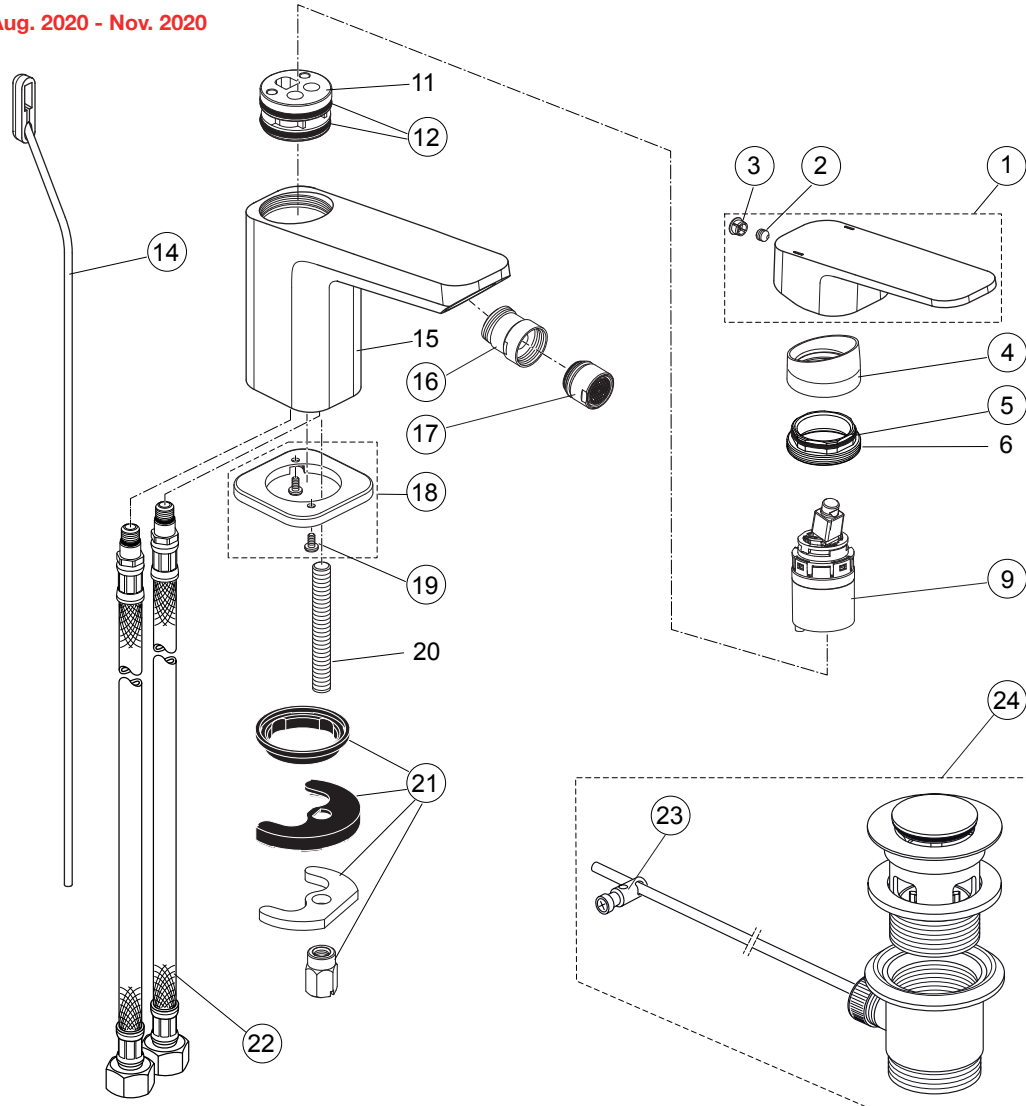
Pos.	Description	Part-Number	Qty.	Pos.	Description	Part-Number	Qty.
1	Lever cpl. with Logo ISI	<b>A 861 515 AA</b>	1 Set	9	Fixation kit	<b>A 964 520 NU*</b>	1 Set
2	Cover cap	<b>A 860 891 AA</b>	1 pcs	10	Flex. hose M8x1-G3/8-420	<b>A 962 370 NU</b>	1 pcs
3	O - Ring Ø 25 x 1,5	<b>A 962 496 NU</b>	1 pcs	11	Lift rod complete	<b>A 960 654 AA</b>	1 Set
4	Cartridge Kerox Ø28	<b>A 861 396 NU</b>	1 pcs	12	Bracket	<b>A 961 172 NU</b>	1 pcs
5	O - Ring Ø 26,7 x 1,78	<b>A 962 825 NU</b>	1 pcs	13	Pop-up waste complete	<b>A 962 991 AA</b>	1 pcs
6	Ball joint M18x1 / M16,5x1	<b>A 960 019 AA</b>	1 pcs				
7	Aerator M18x1	<b>B 964 902 AA</b>	1 pcs				
8	Escutcheon + screws	<b>A 860 893 AA</b>	1 Set				

\*Universal set (not all parts needed)

# Tonic II A6336..



Produced since: Aug. 2020 - Nov. 2020



Bidet flex. hose  
with pop-up waste  
chrome **A6336AA**

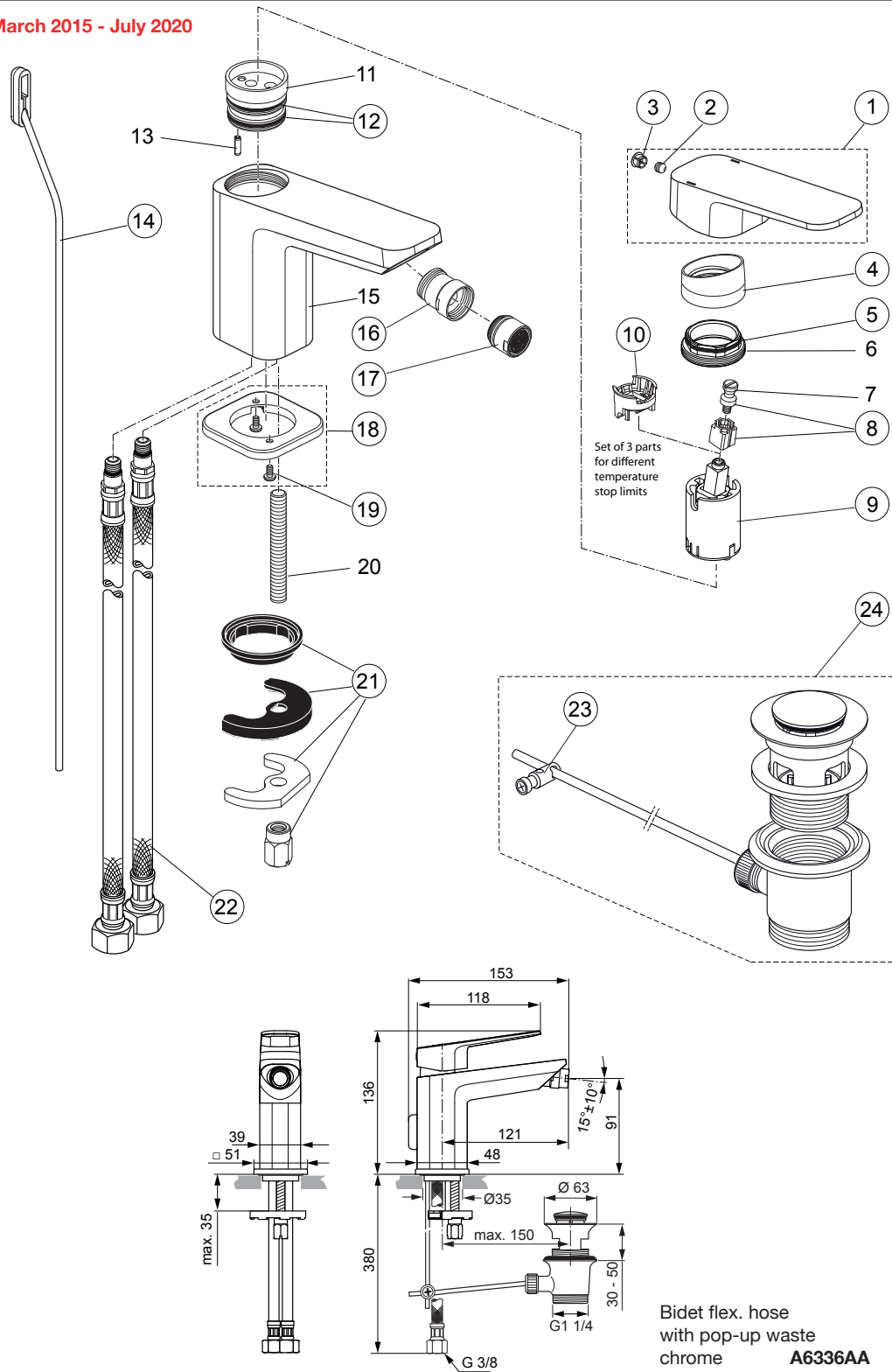
Pos.	Description	Part-Number	Qty.	Pos.	Description	Part-Number	Qty.
1	Lever cpl. with Logo ISI	<b>A 861 515 AA</b>	1 Set	16	Ball joint M18x1 / M16,5x1	<b>A 960 019 AA</b>	1 pcs
2	Thread pin M5x6 DIN914	<b>A 860 603 NU</b>	1 pcs	17	Aerator M18x1	<b>B 964 902 AA</b>	1 pcs
3	Handle cap	<b>A 960 396 AA</b>	1 pcs	18	Escutcheon + screws	<b>A 860 893 AA</b>	1 Set
4	Cover cap	<b>A 860 891 AA</b>	1 pcs	19	Srew M3 x 6 Din 85	<b>A 960 342 NU*</b>	1 Set
5	O - Ring Ø 25 x 1,5	<b>A 962 496 NU</b>	1 pcs	20	Bolt M8x70		
6	Thread ring M33x1			21	Fixation kit	<b>A 964 520 NU*</b>	1 Set
9	Cartridge Kerox Ø28	<b>A 861 396 NU</b>	1 pcs	22	Flex. hose M8x1-G3/8-420	<b>A 962 370 NU</b>	1 pcs
11	Manifold			23	Bracket	<b>A 961 172 NU</b>	1 pcs
12	O - Ring Ø 26,7 x 1,78	<b>A 962 825 NU</b>	1 pcs	24	Pop-up waste complete	<b>A 962 991 AA</b>	1 pcs
14	Lift rod complete	<b>A 960 654 AA</b>	1 Set				
15	Body						

\*Universal set (not all parts needed)

# Tonic II A6336..



Produced since: **March 2015 - July 2020**



Bidet flex. hose  
with pop-up waste  
chrome **A6336AA**

Pos.	Description	Part-Number	Qty.	Pos.	Description	Part-Number	Qty.
1	Lever cpl. with Logo ISI	<b>A 860 890 AA</b>	1 Set	14	Lift rod complete	<b>A 960 654 AA</b>	1 Set
2	Thread pin M5x6 DIN914	<b>A 860 603 NU</b>	1 pcs	15	Body		
3	Handle cap	<b>A 960 396 AA</b>	1 pcs	16	Ball joint M18x1 / M16,5x1	<b>A 960 019 AA</b>	1 pcs
4	Cover cap	<b>A 860 891 AA</b>	1 pcs	17	Aerator M18x1	<b>B 964 902 AA</b>	1 pcs
5	O - Ring Ø 25 x 1,5	<b>A 962 496 NU</b>	1 pcs	18	Escutcheon + screws	<b>A 860 893 AA</b>	1 Set
6	Thread ring M33x1			19	Srew M3 x 6 Din 85	<b>A 960 342 NU*</b>	1 Set
7	Handle srew M4			20	Bolt M8x70		
8	Lever adapter + screw	<b>A 860 892 NU</b>	1 Set	21	Fixation kit	<b>A 964 520 NU*</b>	1 Set
9	Cartridge Kerox Ø28 + Pos 7	<b>F 960 855 NU</b>	1 Set	22	Flex. hose M8x1-G3/8-420	<b>A 962 370 NU</b>	1 pcs
10	Hot water limiter - 3 parts	<b>B 961 088 NU</b>	1 Set	23	Bracket	<b>A 961 172 NU</b>	1 pcs
11	Manifold			24	Pop-up waste complete	<b>A 962 991 AA</b>	1 pcs
12	O - Ring Ø 26,7 x 1,78	<b>A 962 825 NU</b>	1 pcs				
13	Clamping pin						

\*Universal set (not all parts needed)