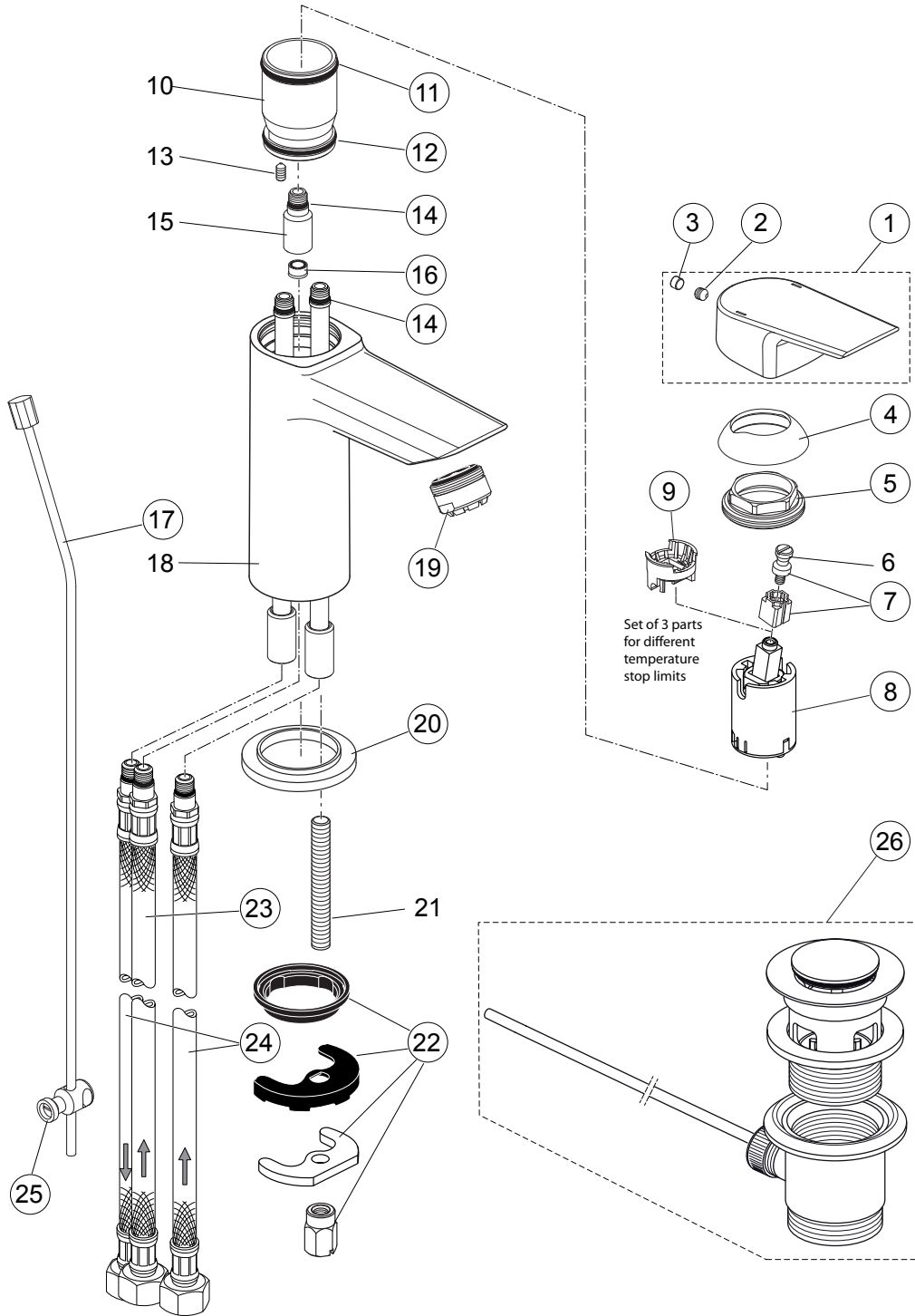
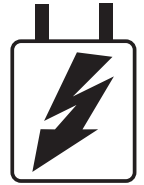


Produced since: **Nov. 2015**



SL basin mixer ND Grande  
for low pressure water heater  
with flex. hose  
with pop-up waste  
chrome **A6562AA**



Pos.	Description	Part-Number	Qty.	Pos.	Description	Part-Number	Qty.
1	Lever cpl. with Logo ISI	<b>A 861 018 AA</b>	1 Set	14	O - Ring Ø 6 x 1,5	<b>A 860 009 NU</b>	3 pcs
2	Thread pin M5x6 DIN914	<b>A 860 603 NU</b>	1 pcs	15	Adapter		
3	Handle plug	<b>A 963 751 NU</b>	1 pcs	16	Flow limiter 6 ltr./min	<b>A 860 984 NU</b>	1 pcs
4	Cover cap	<b>F 960 975 AA</b>	1 pcs	17	Lift rod cpl. + Pos. 25	<b>B 961 119 AA</b>	1 Set
5	Thread ring M36x1	<b>B 961 087 NU</b>	1 pcs	18	Body		
6	Handle srew M4			19	Flow regulator M24X1	<b>A 960 935 AA</b>	1 pcs
7	Lever adapter + screw	<b>A 860 892 NU</b>	1 Set	20	Escutcheon	<b>B 960 712 AA</b>	1 pcs
8	Cartridge Kerox Ø28 + Pos.7	<b>F 960 855 NU</b>	1 Set	21	Bolt M8x63		
9	Hot water limiter - 3 parts	<b>B 961 088 NU</b>	1 Set	22	Fixation kit	<b>A 964 520 NU</b>	1 Set
10	Manifold			23	Flex. hose M10x1-G3/8-550	<b>A 963 685 NU</b>	1 pcs
11	O - Ring Ø 28 x 2	<b>A 963 299 NU</b>	1 pcs	24	Flex. hose M10x1-G3/8-450	<b>A 963 600 NU</b>	1 pcs
12	O - Ring Ø 26,7 x 1,78	<b>A 962 825 NU</b>	1 pcs	25	Bracket	<b>A 961 172 NU</b>	1 pcs
13	Thread pin M4 x 8 ISO 4027			26	Pop-up waste complete	<b>A 962 991 AA</b>	1 Set