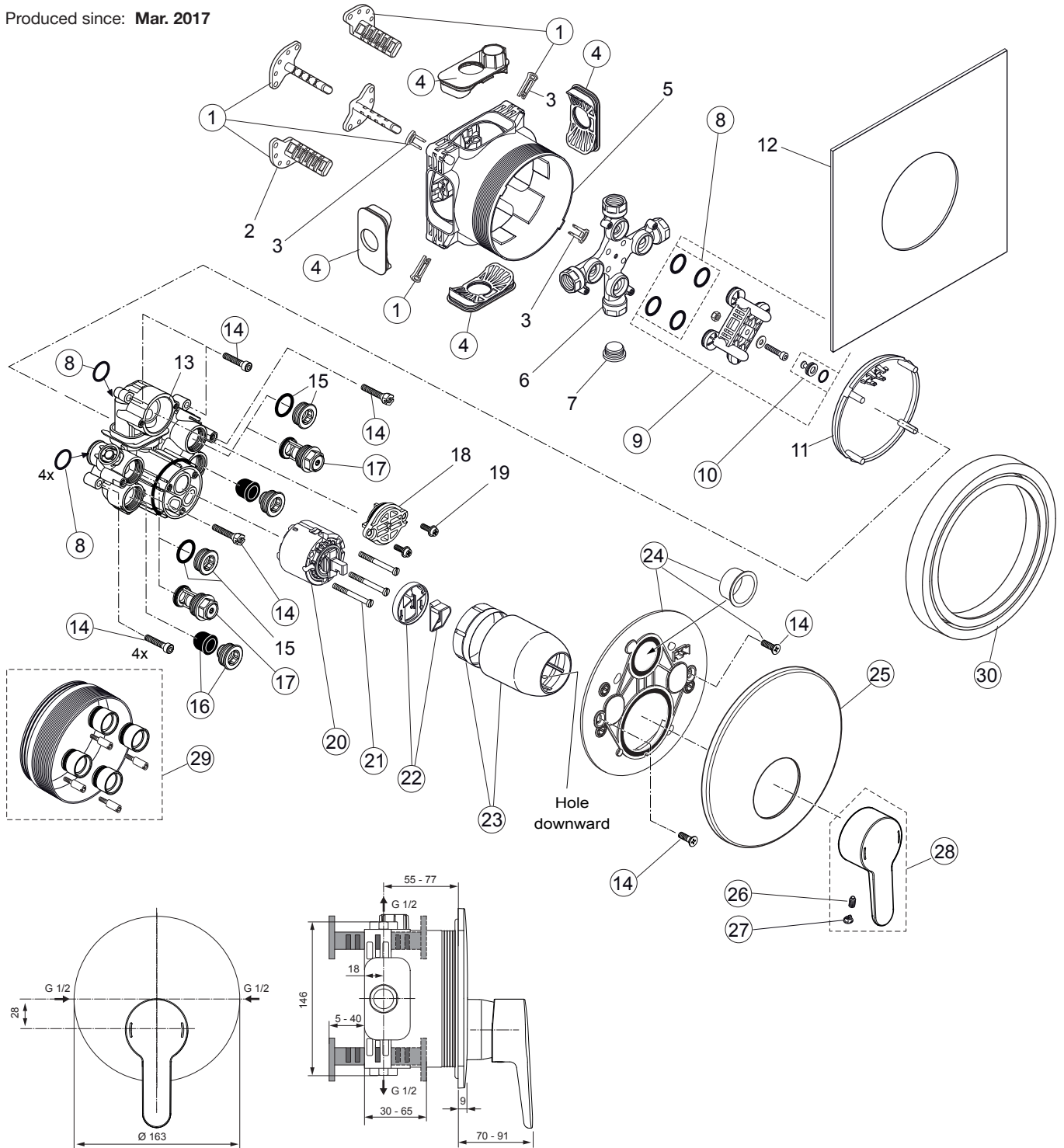


Produced since: **Mar. 2017**



| Pos. | Description | Part-Number | Qty. | Pos. | Description | Part-Number | Qty. |
|------|--|----------------------|-------|------|---------------------------|---------------------|-------|
| 1 | Install. depth adjust. + pos.3 | A 963 131 NU | 1 Set | 17 | Stop valve | A 960 706 NU | 2 pcs |
| 2 | Depth adjustment device | | | 18 | Front cover with o-ring | | |
| 3 | Adjustment lock (contained in pos. 1) | | | 19 | Screw M4x12 | | |
| 4 | Side sealing | A 963 132 NU | 1 Set | 20 | Cartridge with pos.22 | A 960 500 NU | 1 Set |
| 5 | Built-in box | | | 21 | Cylindrical screw M4x41,7 | A 963 335 NU | 3 pcs |
| 6 | Multi-way body | | | 22 | ECO-kit | A 860 700 NU | 1 Set |
| 7 | Plug G1/2 | | | 23 | Cover + clamping + o-ring | A 960 893 AA | 1 Set |
| 8 | O-ring $\varnothing 17 \times 2,5$ | A 963 143 NU | 1 Set | 24 | Escutcheon holder cpl. | A 860 897 NU | 1 Set |
| 9 | Flushing device cpl. | A 963 146 NU | 1 Set | 25 | Escutcheon Sh. | A 861 204 AA | 1 pcs |
| 10 | Plug with o-ring $\varnothing 12 \times 1,5$ | A 963 147 NU | 1 Set | 26 | Thread pin M5x10 DIN915 | A 963 309 NU | 1 pcs |
| 11 | Cover for built-in box | | | 27 | Cap for handle | B 960 473 AA | 1 pcs |
| 12 | Sealing fleece | | | 28 | Lever cpl. w. Logo ISI | A 861 202 AA | 1 Set |
| 13 | Body Single lever | | | 29 | Extension kit 20mm | A 960 704 NU | 1 Set |
| 14 | Screw set complete | A 960 890 NU* | 1 Set | | Extension kit 40mm | A 962 476 NU | 1 Set |
| 15 | Plug with o-ring | | | 30 | Distanzframe 20mm | A 6677 AA | 1 Set |
| 16 | Low noise insert | A 960 891 NU | 1 pcs | | | | |

*Universal set (not all parts needed)