



# Connect Air

A7021.. A7024.. A7053.. A7055..

Ideal Standard

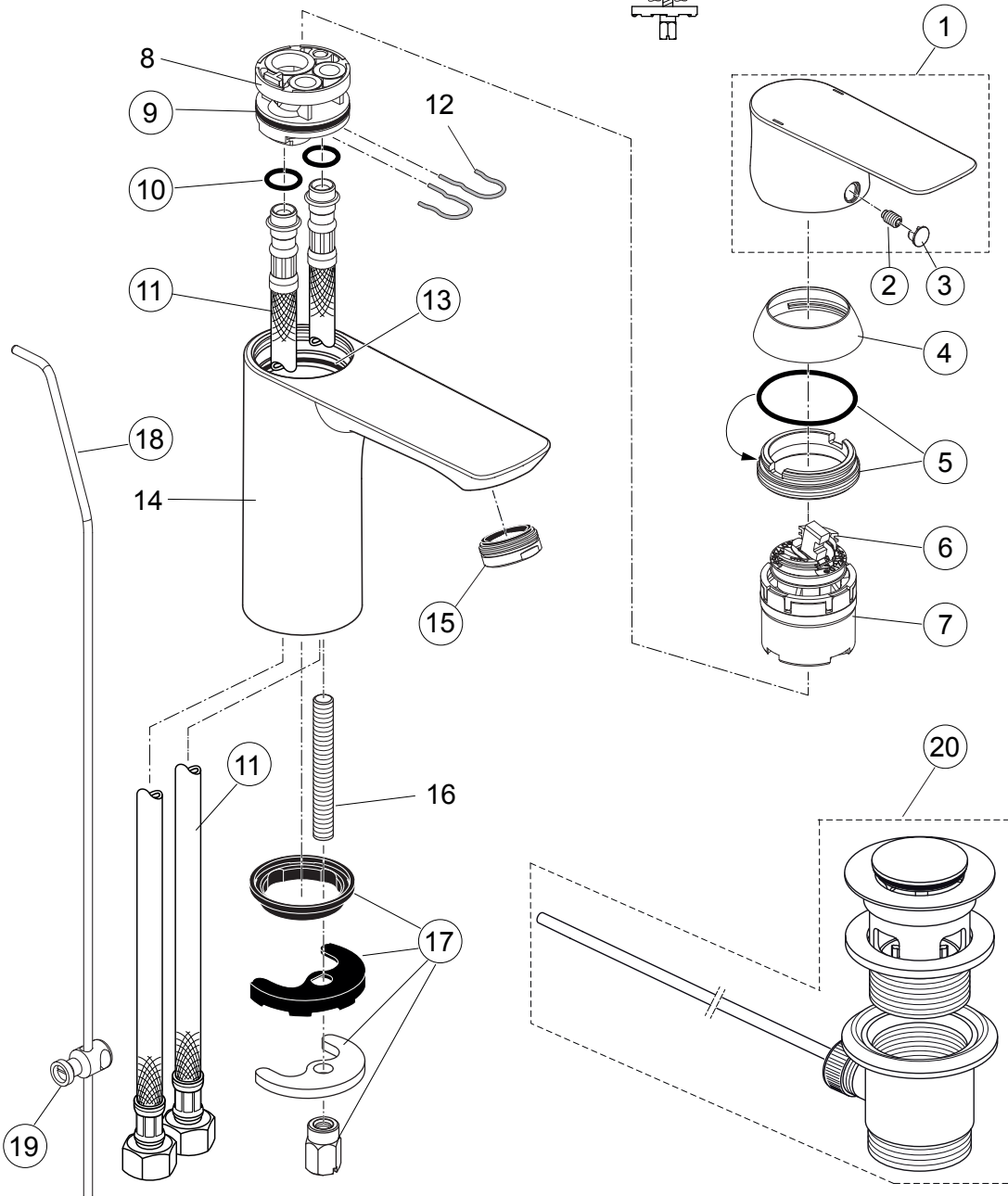
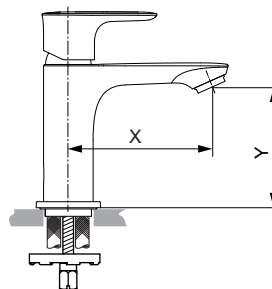
Produced since: **Nov. 2019**

SL basin mixer flex. hose  
X = 112mm Y = 100 mm  
with pop-up waste  
chrome **A7021AA**

SL basin mixer flex. hose  
X = 125mm Y = 120 mm  
with pop-up waste  
chrome **A7053AA**

without pop-up waste  
chrome **A7024AA**

without pop-up waste  
chrome **A7055AA**



**Replace XX with the appropriate finish code**

Chrome = AA Silver Storm = GN Gold = A2 Magnetic Grey = A5

**Example spare part order:**

**A 861 405 AA** in Chrome

Pos.	Description	Part-Number	Qty.	Pos.	Description	Part-Number	Qty.
1	Lever cpl.	<b>A 861 405 XX</b>	1 Set	12	Clip	<b>E 960 059 NU*</b>	1 Set
2	Thread pin M5x5 DIN916	<b>A 963 309 NU*</b>	1 Set	13	O - Ring Ø 38 x 2,5	<b>E 960 059 NU*</b>	1 Set
3	Handle plug	<b>A 861 406 NU*</b>	1 Set	14	Body	<b>B 961 383 XX</b>	1 pcs
4	Cover cap	<b>B 961 373 XX</b>	1 pcs	15	Aerator M24x1 - 5ltr/min	<b>B 961 383 XX</b>	1 pcs
5	Thread ring + O-Ring + Key	<b>B 961 374 NU</b>	1 pcs	16	Bolt M8x63	<b>A 964 520 NU*</b>	1 Set
6	Hot limit stop	<b>A 861 181 NU</b>	1 pcs	17	Fixation kit	<b>A 964 520 NU*</b>	1 Set
7	Cartridge Ø38 + Pos.13,+ Key	<b>A 861 156 NU*</b>	1 Set	18	Lift rod cpl. + Pos. 19	<b>B 960 900 XX</b>	1 Set
8	Manifold			19	Bracket	<b>A 961 172 NU</b>	1 pcs
9	O - Ring Ø 34 x 2	<b>A 960 183 NU</b>	2 pcs	20	Pop-up waste complete	<b>A 961 230 XX</b>	1 Set
10	O - Ring Ø 9,5 x 2,5	<b>F 961 122 NU</b>	3 pcs				
11	Flex. hose Ø10,5-G3/8-445	<b>A 962 359 NU</b>	1 pcs				

\*Universal set (not all parts needed)

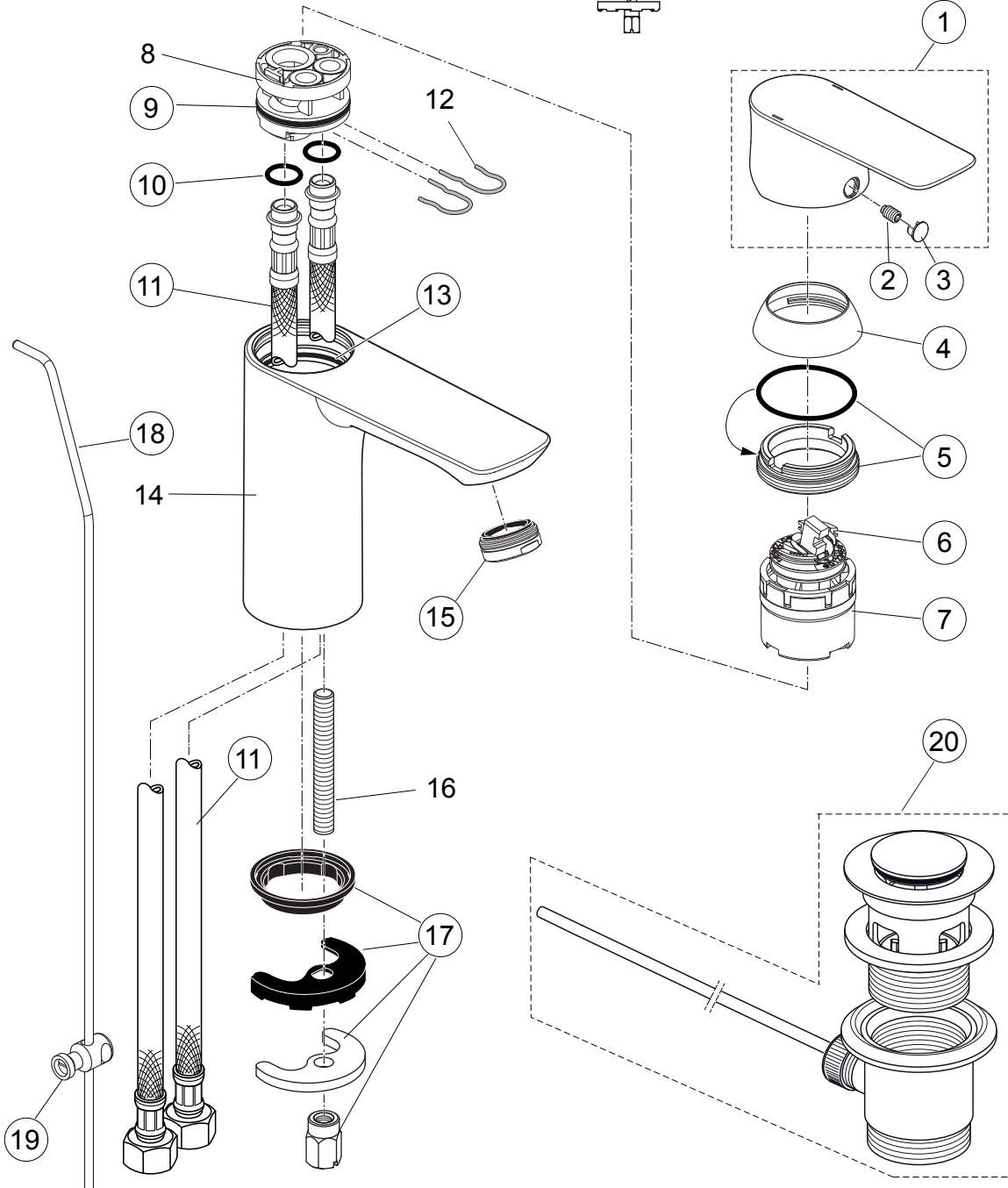
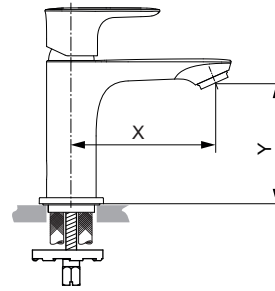
Produced since: **Aug.2017 - Oct.2019**

SL basin mixer flex. hose  
X = 112mm Y = 100 mm  
with pop-up waste  
chrome **A7021AA**

SL basin mixer flex. hose  
X = 125mm Y = 120 mm  
with pop-up waste  
chrome **A7053AA**

without pop-up waste  
chrome **A7024AA**

without pop-up waste  
chrome **A7055AA**



Pos.	Description	Part-Number	Qty.	Pos.	Description	Part-Number	Qty.
1	Lever cpl. w. Logo ISI	<b>A 861 230 AA</b>	1 Set	12	Clip		
2	Thread pin M5x5 DIN916	<b>A 963 309 NU*</b>	1 Set	13	O - Ring Ø 38 x 2,5	<b>E 960 059 NU*</b>	1 Set
3	Handle plug	<b>B 960 473 AA</b>	1 Set	14	Body		
4	Cover cap	<b>B 961 373 AA</b>	1 pcs	15	Aerator M24x1 - 5ltr/min	<b>B 961 383 AA</b>	1 pcs
5	Thread ring M36x1 + Key	<b>B 961 374 NU</b>	1 pcs	16	Bolt M8x63		
6	Hot limit stop	<b>A 861 181 NU</b>	1 pcs	17	Fixation kit	<b>A 964 520 NU*</b>	1 Set
7	Cartridge Ø38 + Pos.13,+ Key	<b>A 861 156 NU*</b>	1 Set	18	Lift rod cpl. + Pos. 19	<b>A 861 210 AA</b>	1 Set
8	Manifold			19	Bracket	<b>A 961 172 NU</b>	1 pcs
9	O - Ring Ø 34 x 2	<b>A 960 183 NU</b>	2 pcs	20	Pop-up waste complete	<b>B 960 853 AA</b>	1 Set
10	O - Ring Ø 9,5 x 2,5	<b>F 961 122 NU</b>	3 pcs				
11	Flex. hose Ø10,5-G3/8-445	<b>A 962 359 NU</b>	1 pcs				

\*Universal set (not all parts needed)