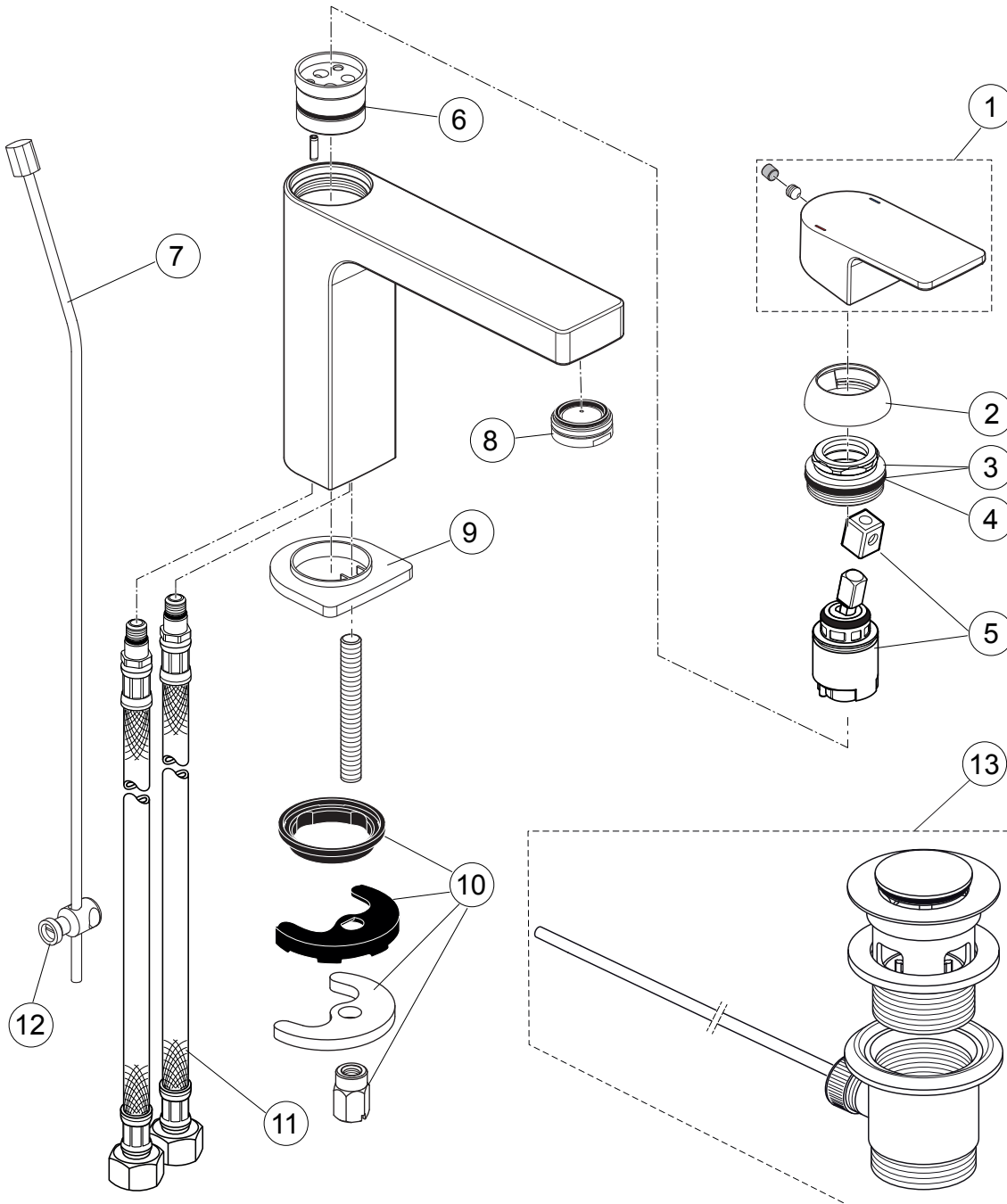
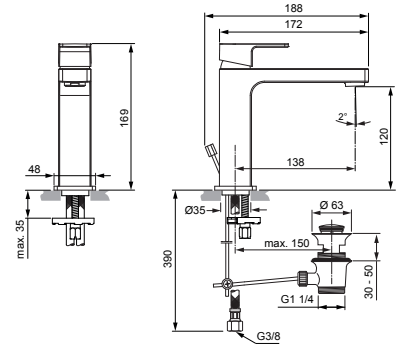


Produced since: Dec. 2020

SL basin mixer flex. hose
with pop-up waste
chrome **A7106AA**

without pop-up waste
chrome **A7108AA**

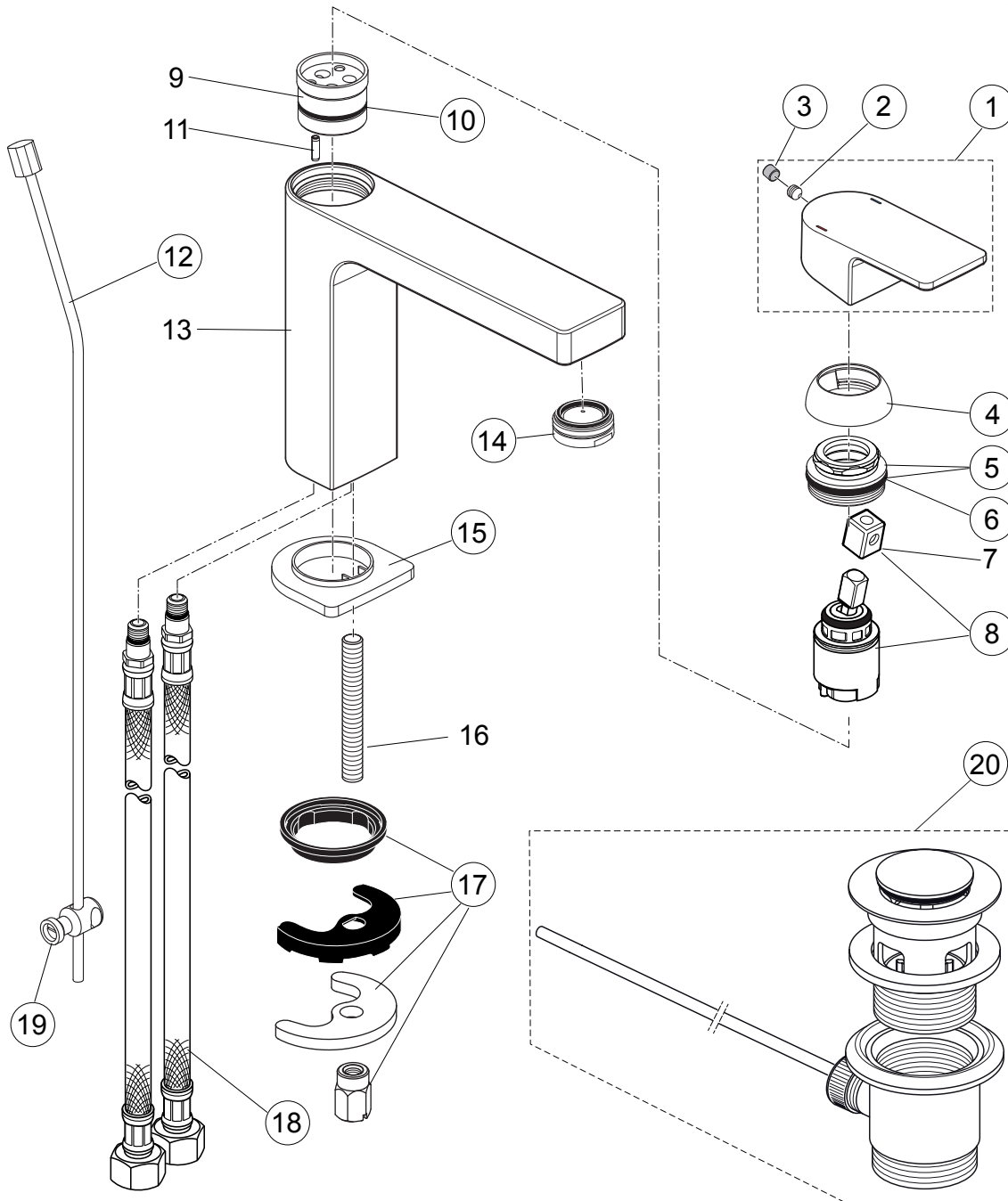
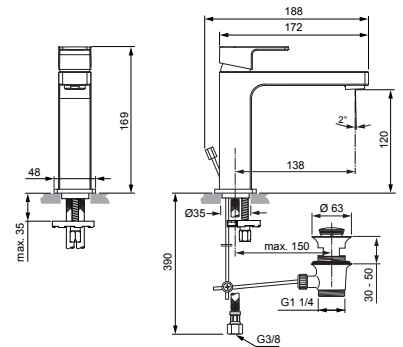


Pos.	Description	Part-Number	Qty.	Pos.	Description	Part-Number	Qty.
1	Lever cpl. w. Logo ISI + pos.7	A 861 294 AA	1 Set	11	Flex. hose M8x1-G3/8-500	A 962 005 NU	1 pcs
2	Cover cap	A 861 224 AA	1 pcs	12	Bracket	A 961 172 NU	1 pcs
3	Thread ring M30x1	A 861 225 NU	1 Set	13	Pop-up waste complete	B 960 853 AA	1 Set
4	O - Ring Ø 28 x 2	A 963 299 NU	1 pcs	<i>*Universal set (not all parts needed)</i>			
5	Cartridge Kerox Ø25	A 861 226 NU	1 Set				
6	O - Ring Ø 23,52 x 1,78	A 961 855 NU	1 pcs				
7	Lift rod cpl. + Pos. 12	B 961 119 AA	1 Set				
8	Aerator M24x1 - 5ltr/min	B 961 383 AA	1 pcs				
9	Escutcheon	A 861 295 AA	1 pcs				
10	Fixation kit	A 964 520 NU*	1 Set				

Produced since: April 2018 - Nov. 2020

SL basin mixer flex. hose
with pop-up waste
chrome **A7106AA**

without pop-up waste
chrome **A7108AA**



Pos.	Description	Part-Number	Qty.	Pos.	Description	Part-Number	Qty.
1	Lever cpl. w. Logo ISI + pos.7	A 861 294 AA	1 Set	12	Lift rod cpl. + Pos. 19	B 961 119 AA	1 Set
2	Thread pin M5x5 DIN916	A 962 041 NU*	1 Set	13	Body		
3	Handle plug	A 861 223 NU	1 pcs	14	Aerator M24x1 - 5ltr/min	B 961 383 AA	1 pcs
4	Cover cap	A 861 224 AA	1 pcs	15	Escutcheon	A 861 295 AA	1 pcs
5	Thread ring M30x1 + pos.6	A 861 225 NU	1 Set	16	Bolt M8x63		
6	O - Ring Ø 28 x 2	A 963 299 NU	1 pcs	17	Fixation kit	A 964 520 NU*	1 Set
7	Lever adapter			18	Flex. hose M8x1-G3/8-500	A 962 005 NU	1 pcs
8	Cartridge Kerox Ø25 + Pos.7	A 861 226 NU	1 Set	19	Bracket	A 961 172 NU	1 pcs
9	Manifold			20	Pop-up waste complete	B 960 853 AA	1 Set
10	O - Ring Ø 23,52 x 1,78	A 961 855 NU	1 pcs				
11	Clamping pin						

*Universal set (not all parts needed)