

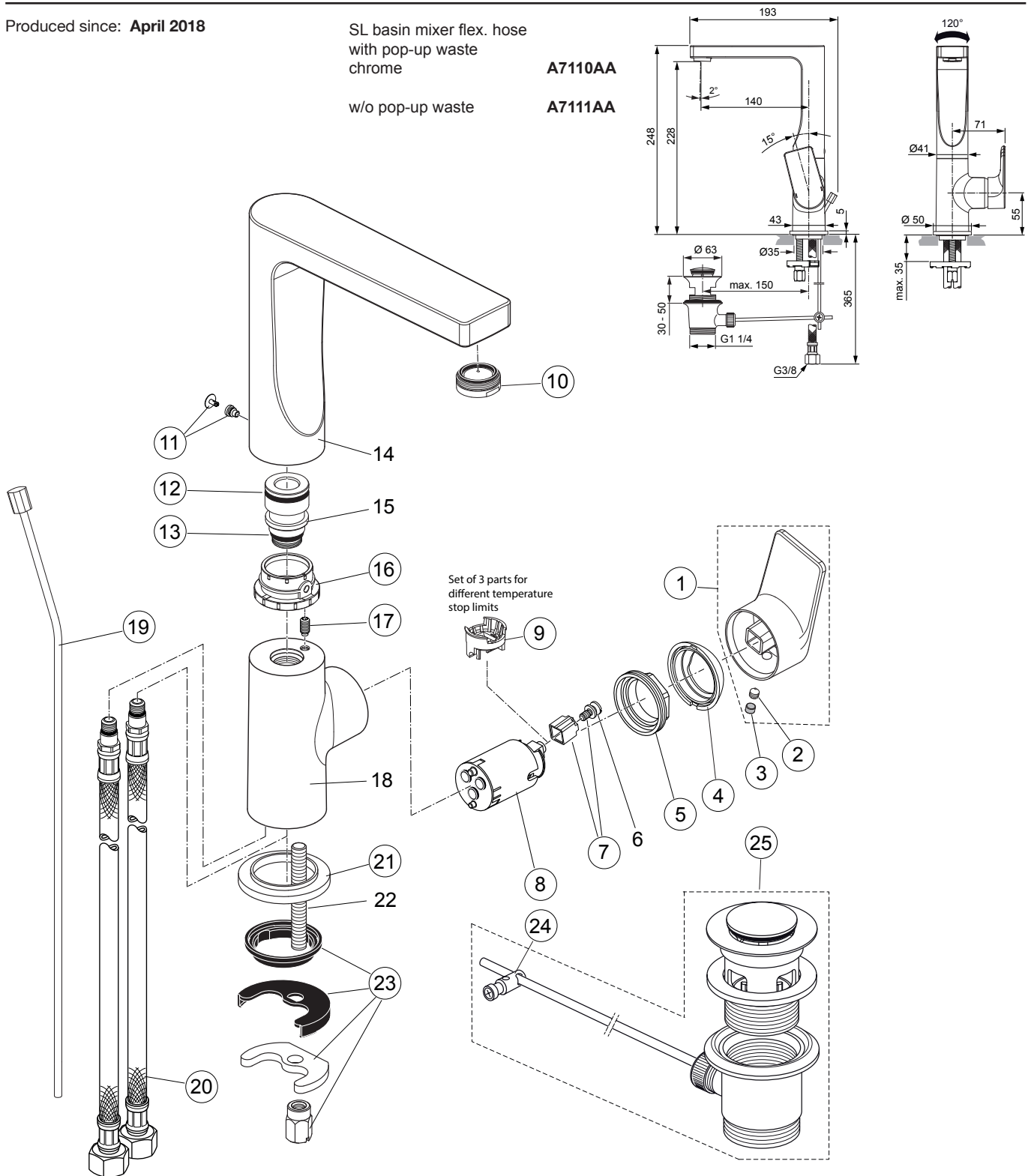
Produced since: **April 2018**

SL basin mixer flex. hose
with pop-up waste
chrome

A7110AA

w/o pop-up waste

A7111AA



Pos.	Description	Part-Number	Qty.	Pos.	Description	Part-Number	Qty.
1	Lever cpl. with Logo ISI	A 861 309 AA	1 Set	14	Spout		
2	Thread pin M5x6 DIN914	A 860 603 NU	1 pcs	15	Nipple for spout		
3	Handle cap	A 963 751 NU	1 pcs	16	Slide bush	A 861 103 NU	1 pcs
4	Cover cap	A 861 080 AA	1 pcs	17	Thread pin M5x10 Din915	A 861 141 NU	1 pcs
5	Clamping nut M36 x 1	B 961 087 NU	1 pcs	18	Body		
6	Handle srew M4			19	Lift rod cpl. + Pos. 24	B 961 119 AA	1 Set
7	Handle insert + screw	B 961 086 NU	1 Set	20	Flex. hose M8x1-G3/8-420	A 962 370 NU	1 pcs
8	Cartridge Kerox Ø28 + Pos 6	F 960 855 NU	1 Set	21	Escutcheon	B 960 712 AA	1 pcs
9	Hot water limiter - 3 parts	B 961 088 NU	1 Set	22	Bolt M8x92		
10	Aerator M24x1 - 5ltr/min	B 961 383 AA	1 pcs	23	Fixation kit	A 964 520 NU*	1 Set
11	Cap with screw	A 962 149 AA*	1 Set	24	Bracket	A 961 172 NU	1 pcs
12	O-ring Ø 19 x 2,5	A 860 188 NU*	1 Set	25	Pop-up waste complete	A 961 230 AA	1 Set
13	O-ring Ø 13 x 2,5	A 962 728 NU	1 pcs				

*Universal set (not all parts needed)