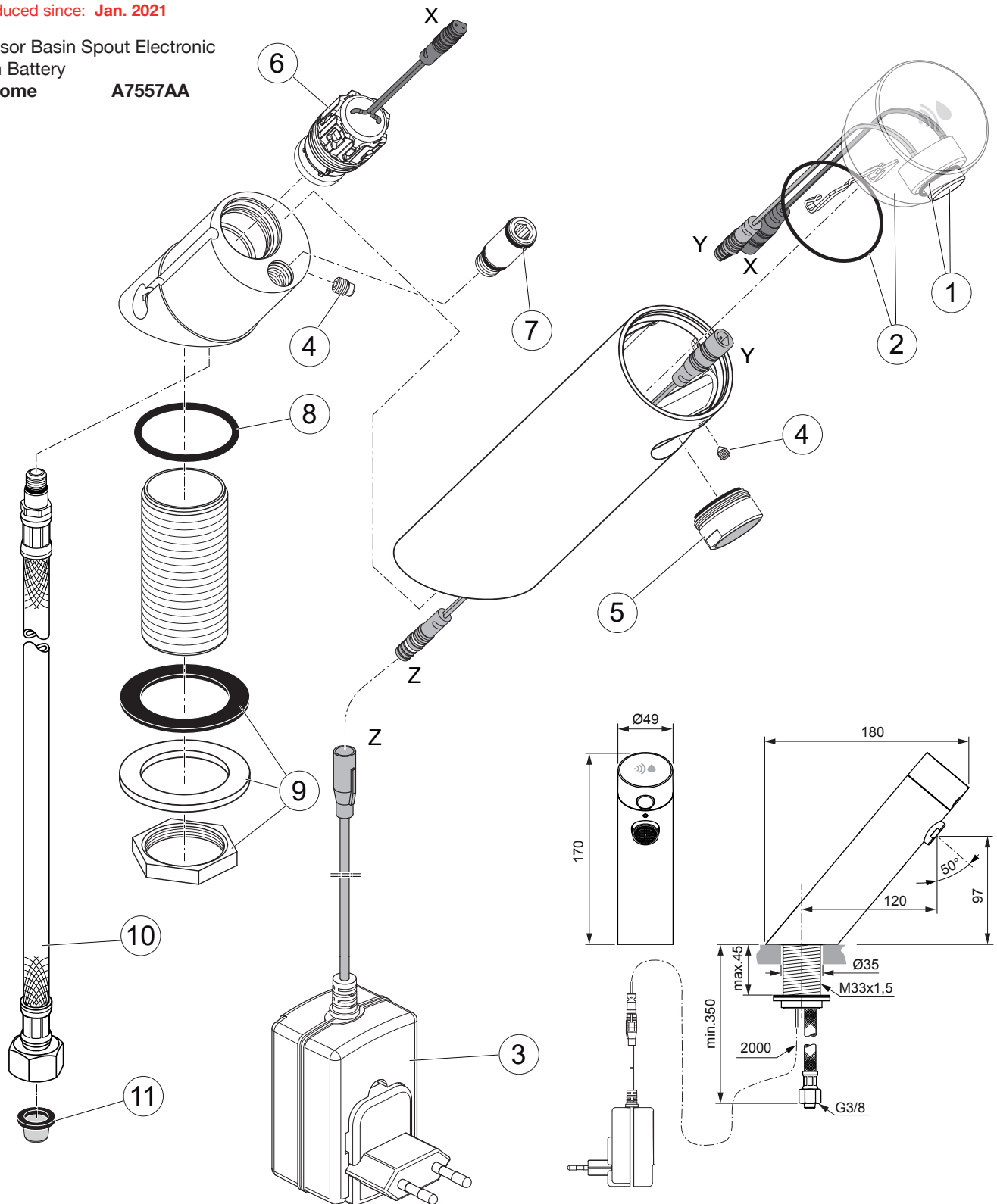


Produced since: **Jan. 2021**

Sensor Basin Spout Electronic
with Battery
Chrome **A7557AA**



Replace XX with the appropriate finish code

Chrome = AA Onyx Black = B3 Silk Black = XG

Example spare part order:

A 861 524 AA in Chrome

Pos.	Description	Part-Number	Qty.	Pos.	Description	Part-Number	Qty.
1	Sensor cpl. with O-ring	A 861 523 NU	1 Set	8	O - ring Ø 36,2 x 2,62	A 962 575 NU	1 pcs
2	Cover cap w. laser + O-ring	A 861 524 XX	1 Set	9	Fixation set	A 860 672 NU	1 Set
3	AC-Adapter 6,5V DC / 0,92A	F 961 033 NU	1 pcs	10	Flex. hose M10x1/450-G3/8	A 860 794 NU	1 pcs
4	Thread pin set	A 861 525 NU*	1 Set	11	Strainer Ø15	F 961 032 NU	1 pcs
5	Aerator M24x1 - 5ltr/min	B 961 153 AA	1 pcs	* Universal-Set (not all parts needed)			
	Aerator M24x1 - 3,8ltr/min	A 861 584 XX	1 pcs				
6	Solenoidvalve 6V G1/2	F 961 050 NU*	1 pcs				
7	O - ring Ø 12,42 x 1,78	A 961 459 NU*	1 Set				