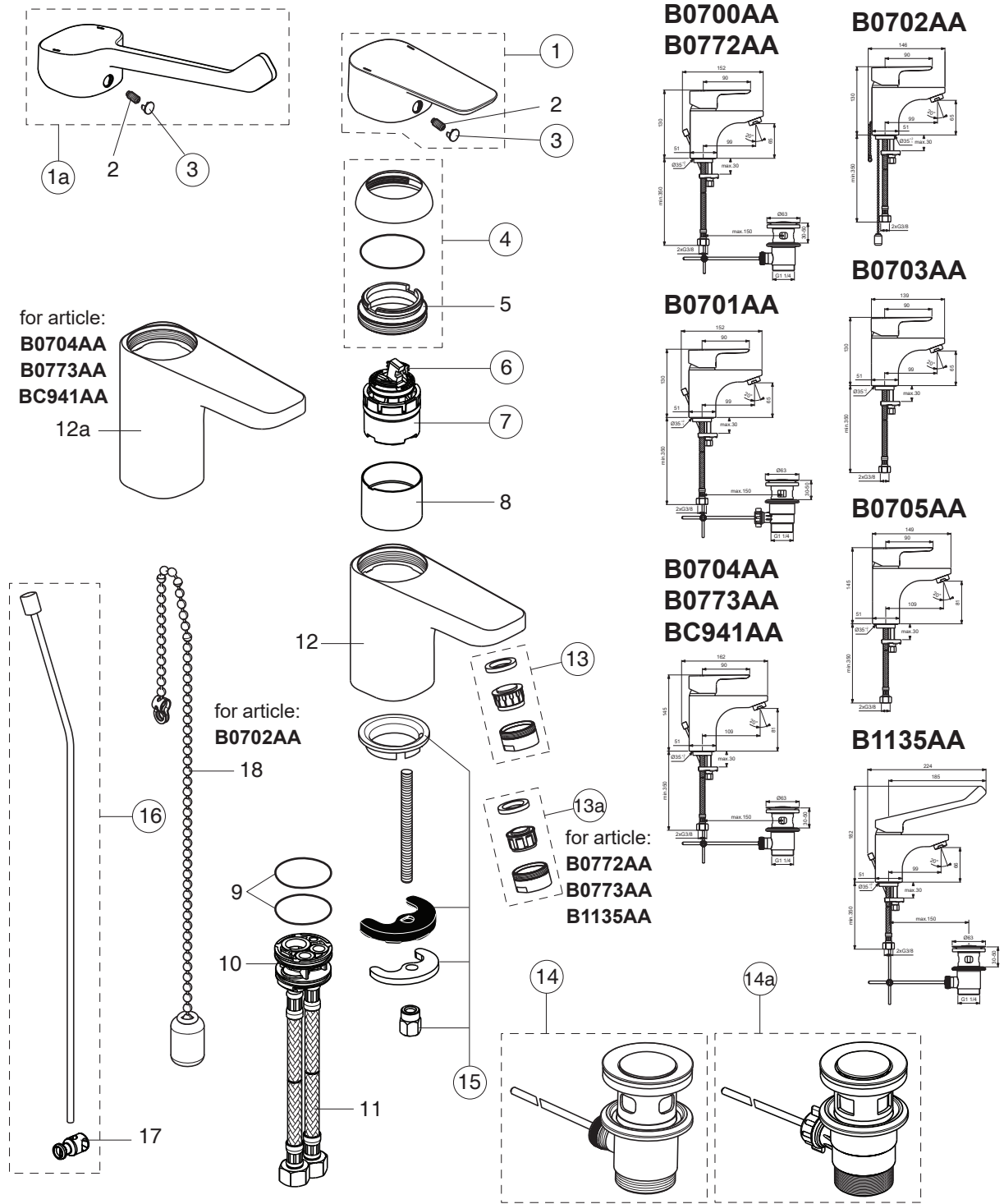


CERAPLAN III



Pos.	Signify	Spare parts-Nr.	Quantity	Pos.	Signify	Spare parts-Nr.	Quantity
1	Lever, w/logo-set	B961117AA	1 Pcs.	12a	Body basin GRANDE	A960321AA	1 Pcs.
1a	Lever, w/logo-medical	B961453AA	1 Pcs.	13	Casc. perlator M24x1-A	A960754AA*	1 Pcs.
2	Screw M5x8	B960473AA	1 Pcs.	13a	Aerator M24x1, 5l/min	B960754AA	1 Pcs.
3	Cap decorative	B961113AA	1 Pcs.	14	Pop-up drain ass.	A962991AA	1 Pcs.
4	Rosette-compl.	B961113AA	1 Pcs.	14a	Pop-up waste-plastic	B964550AA	1 Pcs.
5	Screw M41x1.5/M46x1.5	A861181NU	1 Pcs.	15	Connecting set	B960608NU	1 Set
6	Hot limit stop	B961491NU	1 Pcs.	16	Pull-up rod-compl.	B961119AA	1 Pcs.
7	Cartridge Ø38mm-click		1 Pcs.	17	Pop up waste shackle		1 Pcs.
8	Insert		1 Pcs.	18	Beaded chain L460mm		1 Pcs.
9	O-Ring Ø35x2		2 Pcs.				
10	Manifold		1 Pcs.				
11	Fl. pexhose G3/8-Ø10.5/L445		2 Pcs.				
12	Body basin		1 Pcs.				