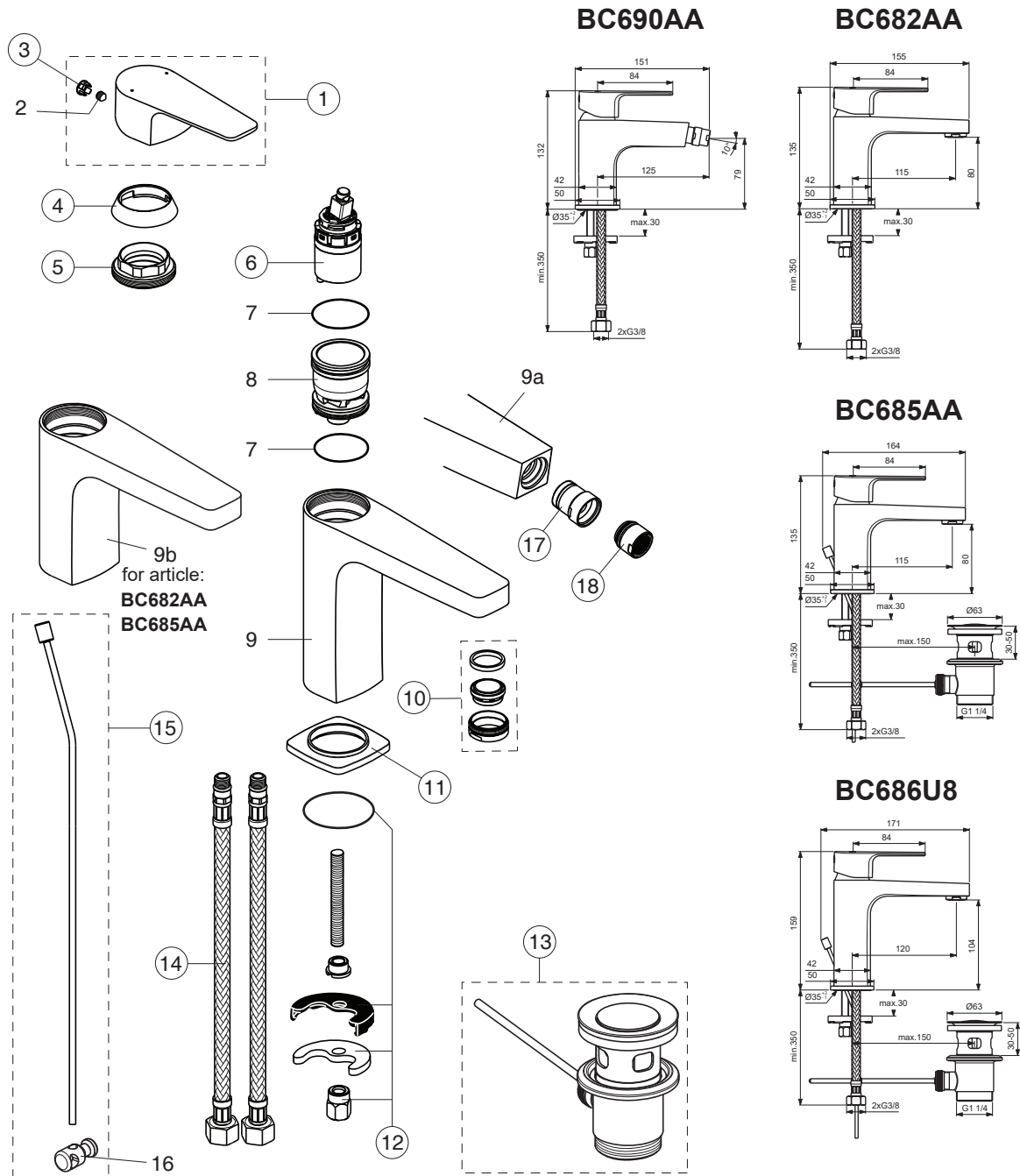




CERAFINE MODEL D

Ideal Standard



For XX=Coverage-Designate:
AA=chrome,U6=grey pearl

For Instance:
B961652AA for chrome

Pos.	Signify	Spare parts-Nr.	Quantity	Pos.	Signify	Spare parts-Nr.	Quantity
1	Lever,w/logo-compl.	B961652XX	1 Set	14	Flex pexhose G3/8 M8x1/L500	A962005NU	1 Pcs.
2	Screw M5x6		1 Pcs.	15	Pop up waste-compl.	B961241XX	1 Pcs.
3	Cap decorative	B964696NU	1 Pcs.	16	Pop up waste shackle		1 Pcs.
4	Cap	A861080XX	1 Pcs.	17	Ball joint M18x1	A960019XX	1 Pcs.
5	Screw M38x1.5	B961645NU	1 Pcs.	18	Aerator M18x1	A963369XX	1 Pcs.
6	Cartridge Ø28mm	A861397NU	1 Pcs.				
7	O-Ring Ø30x2		2 Pcs.				
8	Manifold		1 Pcs.				
9;9b	Body basin		1 Pcs.				
9a	Body bidet		1 Pcs.				
10	Perlator M24x1, / 5l/min	B961383XX	1 Pcs.				
11	Rosette decorative	B961290XX	1 Pcs.				
12	Connecting set	B964551NU	1 Pcs.				
13	Pop-up drain ass.	A962991XX	1 Pcs.				