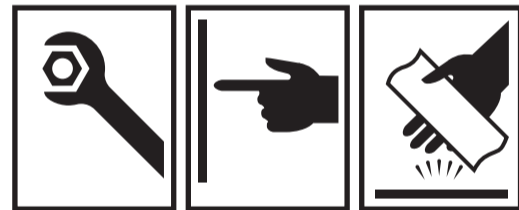
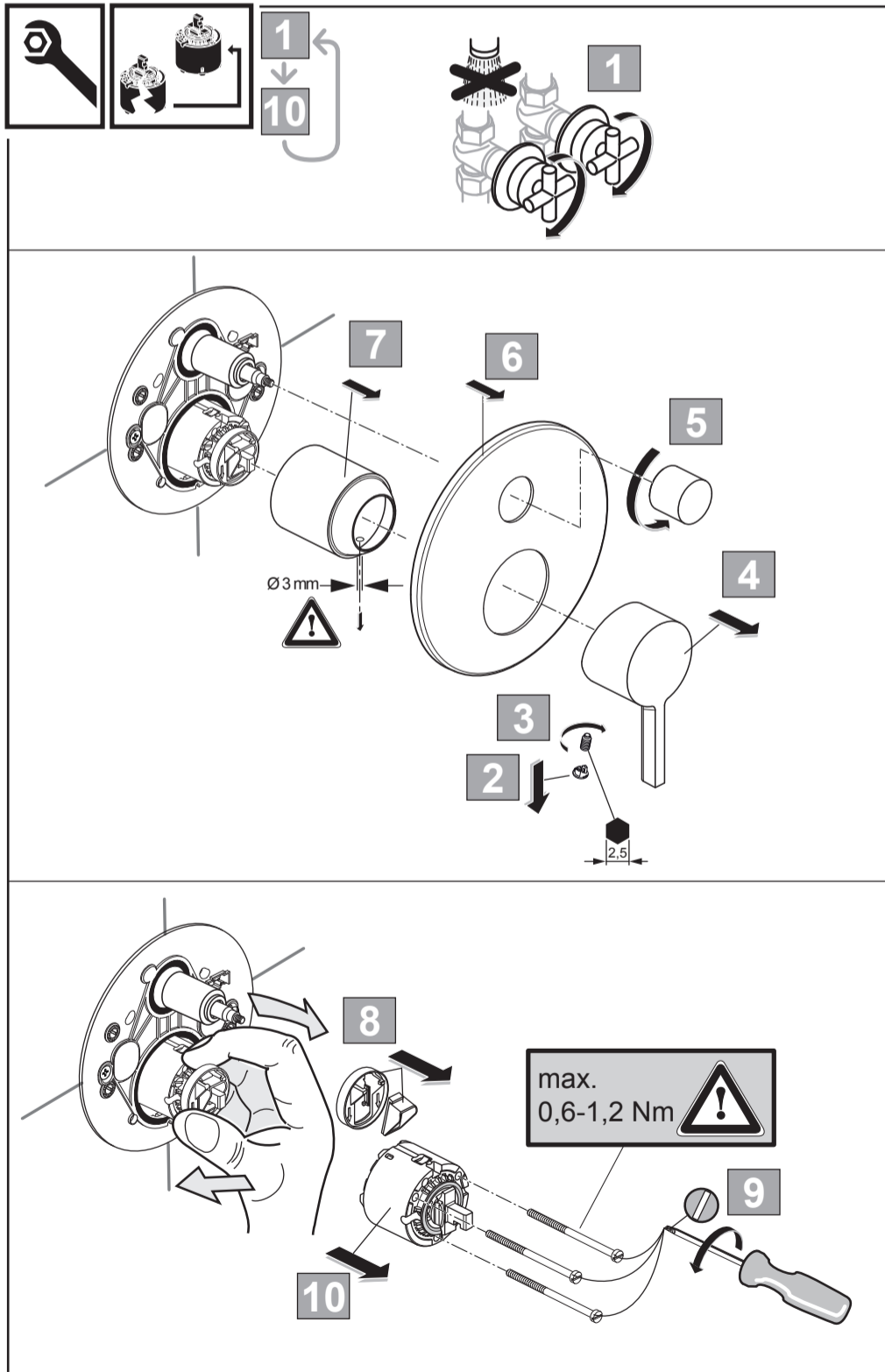
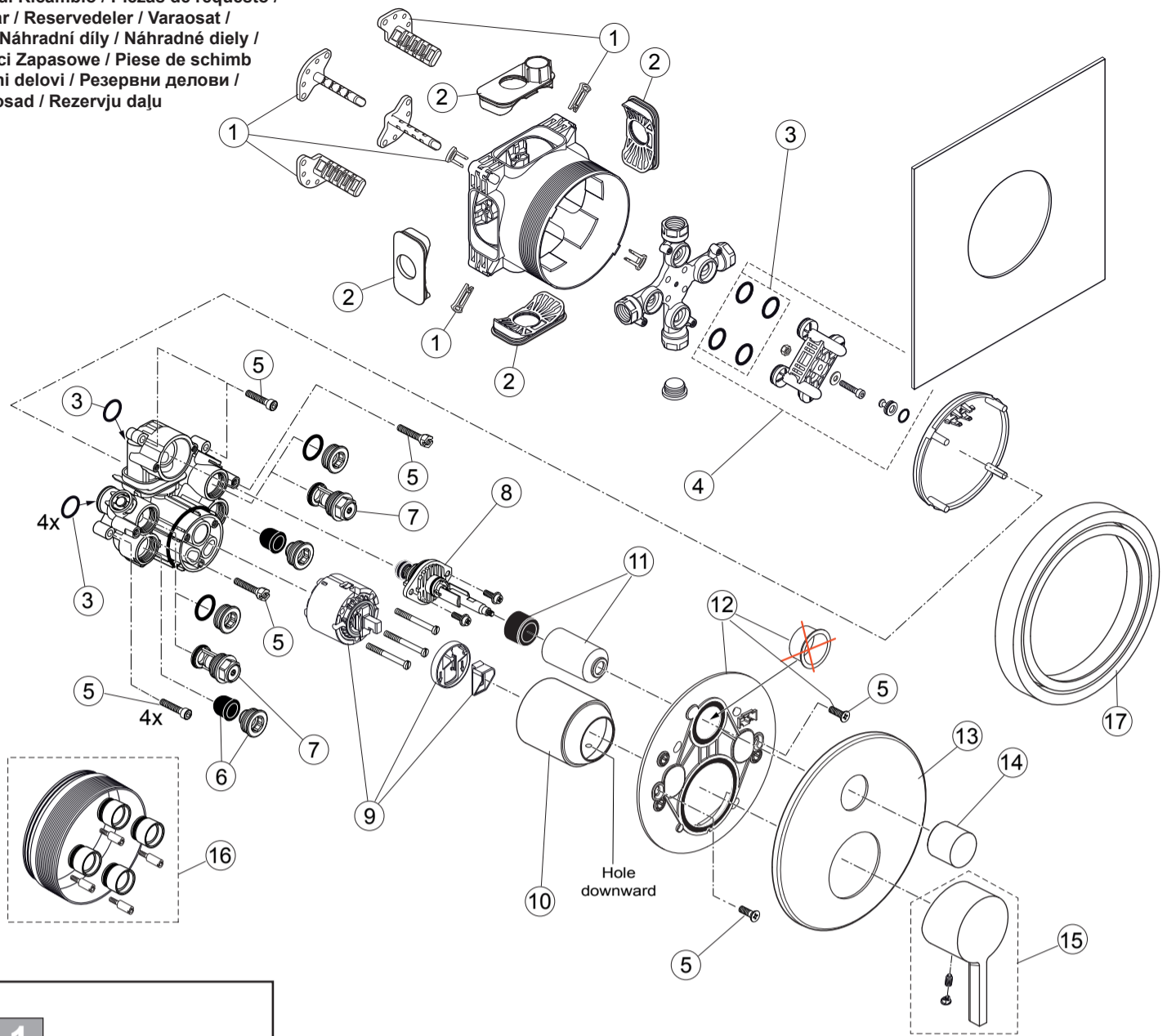




Spare Parts / Ersatzteile / Pièces de recharge / Pezzi di Ricambio / Piezas de requesto /
 Parte de reposição / Reserveonderdelen / Reservdelar / Reservedeler / Varaosat /
 Vraosat / Varahlutir / Ανταλλακτικά / Yedek Parçalar / Náhradní díly / Náhradné diely /
 Nadomestni deli / Резервни части / Запчасти / Części Zapasowe / Piese de schimb /
 Rendelhető alkatrészek / Запасні частини / Reservni delovi / Резервни делови /
 Резервни делови / Atsarginių dalių / Tellitavad varuosad / Rezervju daļu

XX = AA, GN, ...

| A 7382 .. | | A 7383 .. | |
|-----------|---------------|-----------|--------------|
| Pos. | Part No. | Pos. | Part No. |
| 1 | A 963 131 NU | 1 | A 963 131 NU |
| 2 | A 963 132 NU | 2 | A 963 132 NU |
| 3 | A 963 143 NU | 3 | A 963 143 NU |
| 4 | A 963 146 NU | 4 | A 963 146 NU |
| 5 | A 960 890 NU* | 5 | A 960 890 NU |
| 6 | A 960 891 NU | 6 | A 960 891 NU |
| 7 | A 960 706 NU | 7 | A 960 706 NU |
| 9 | A 960 500 NU | 8 | A 963 443 NU |
| 10 | A 861 441 XX | 9 | A 960 500 NU |
| 12 | A 860 897 NU | 10 | A 861 441 XX |
| 13 | A 861 447 XX | 11 | A 860 902 XX |
| 15 | A 861 448 XX | 12 | A 860 897 NU |
| 16 | A 960 704 NU | 13 | A 861 449 XX |
| | A 962 476 NU | 14 | A 860 901 XX |
| 17 | A 6677 XX | 15 | A 861 448 XX |
| | | 16 | A 960 704 NU |
| | | | A 962 476 NU |
| | | 17 | A 6677 XX |

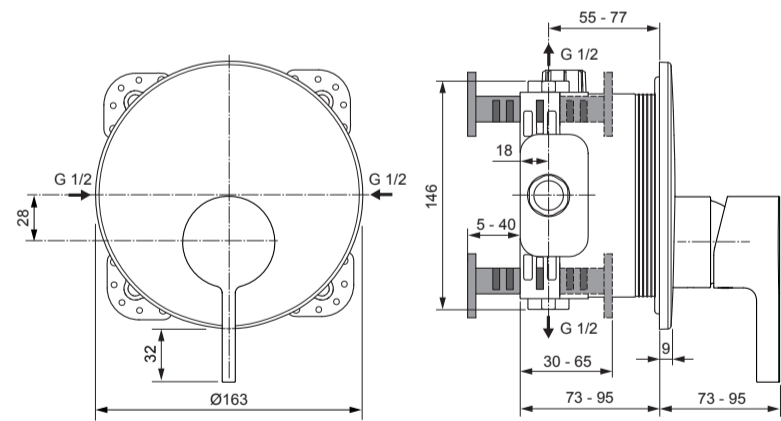


Ideal Standard

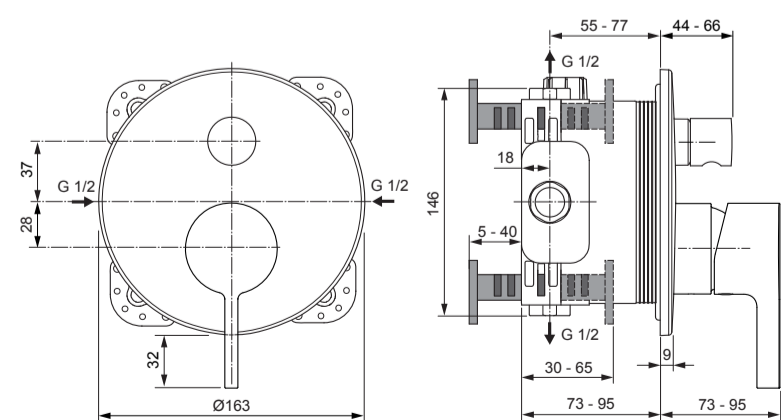
Joy

A 7382 .. A 7383 ..

0220 / A 868 624



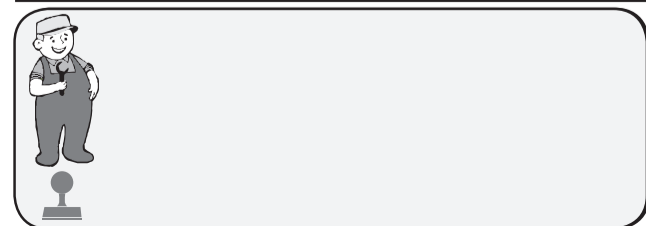
A7382

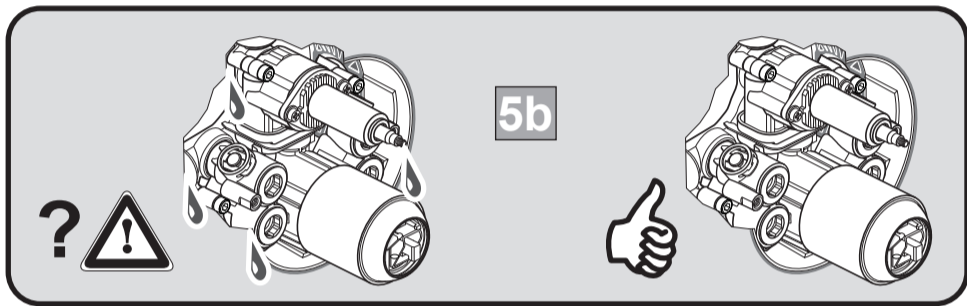
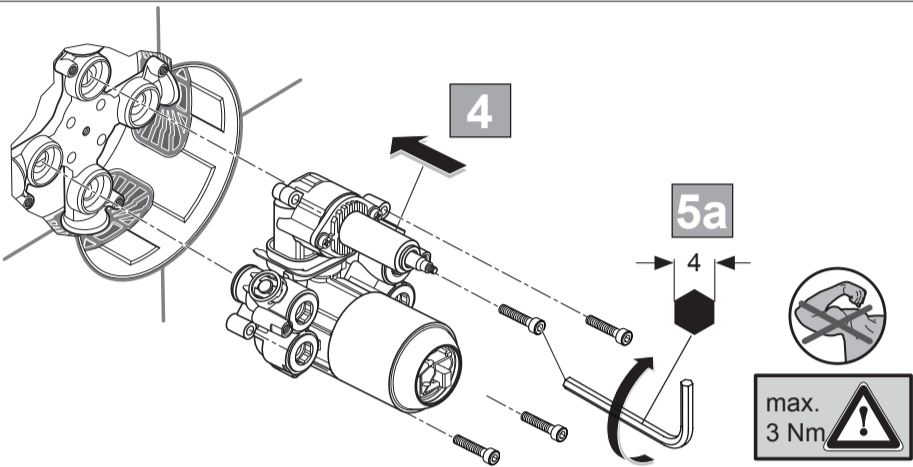
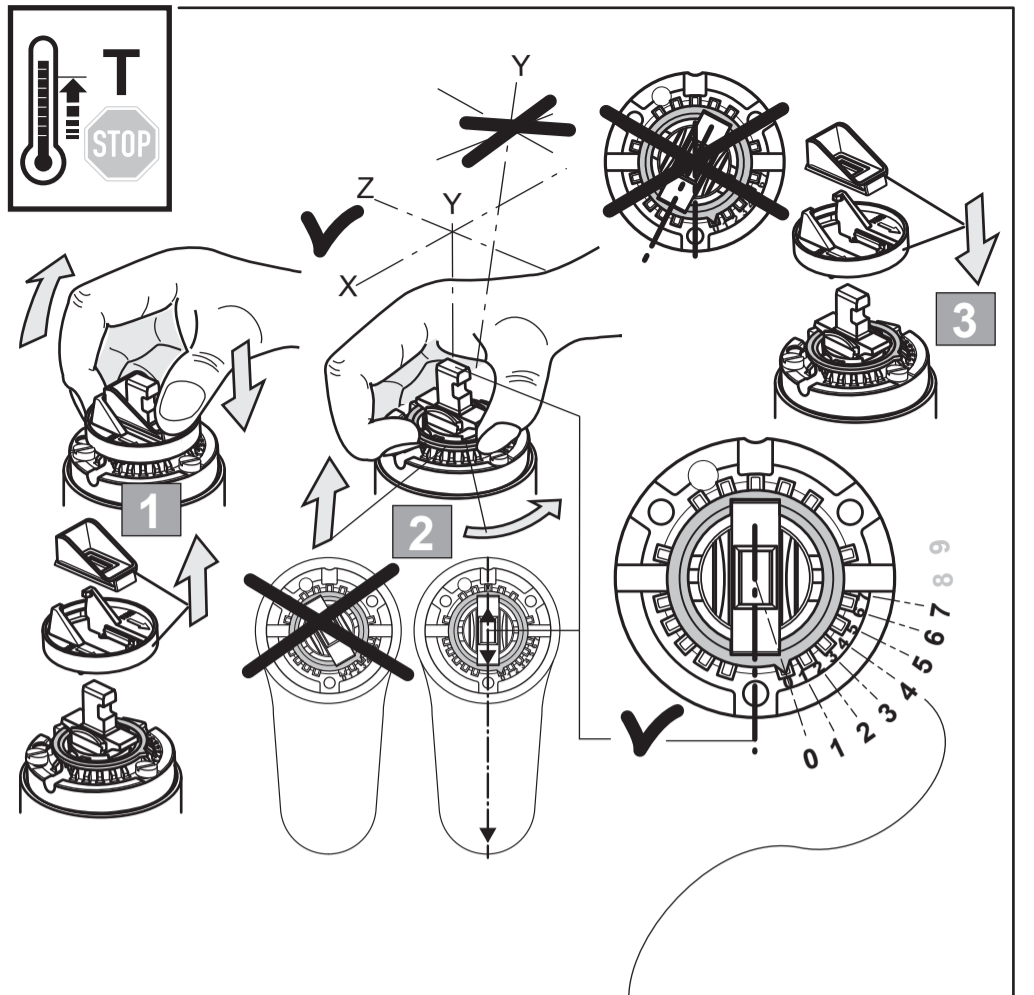
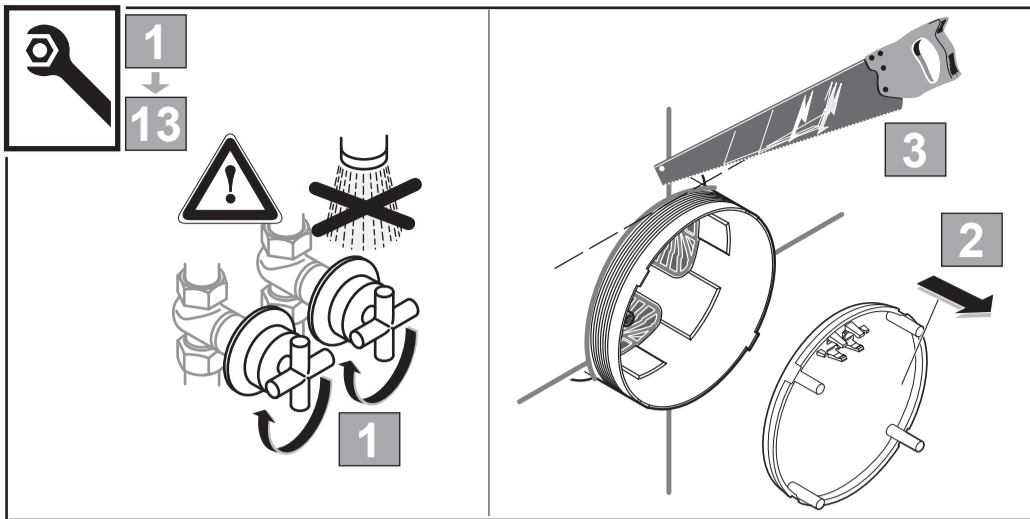


A7383

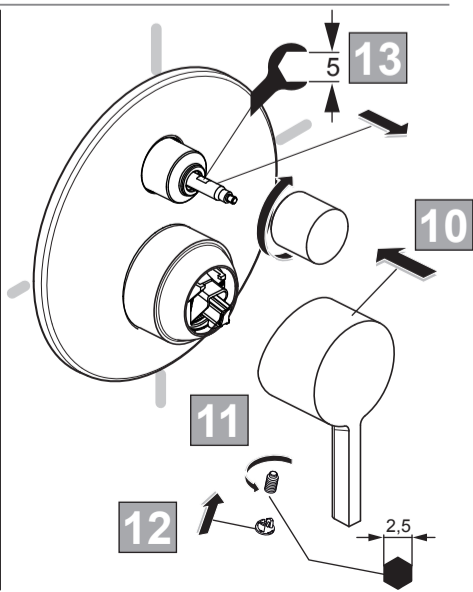
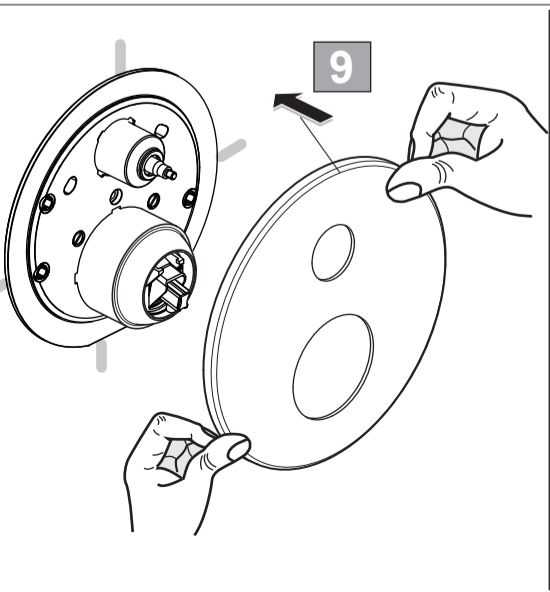
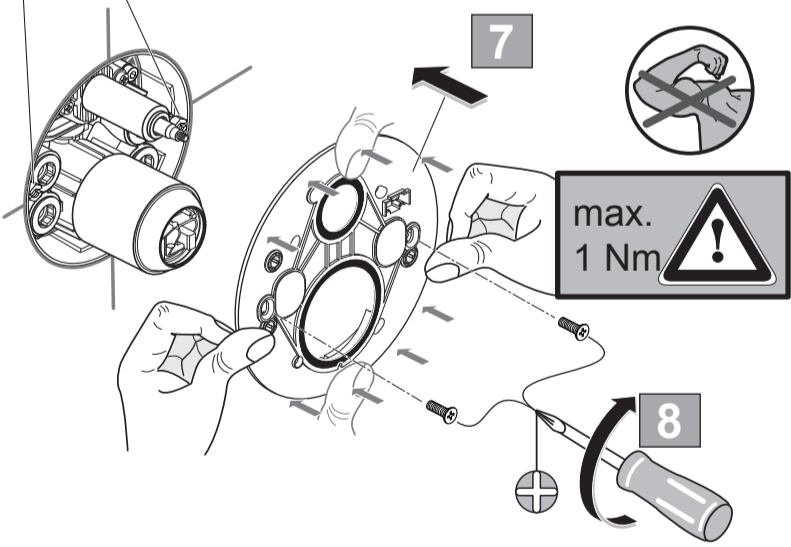
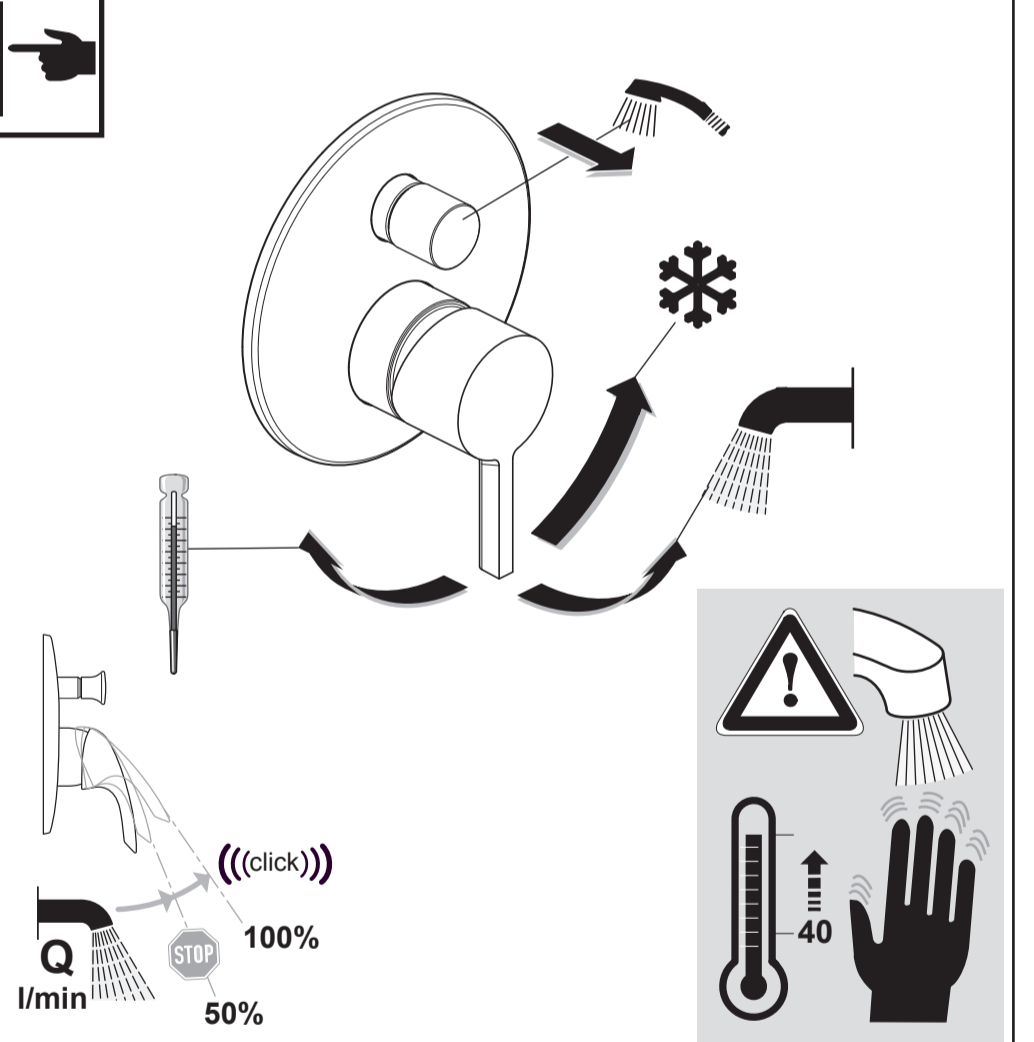
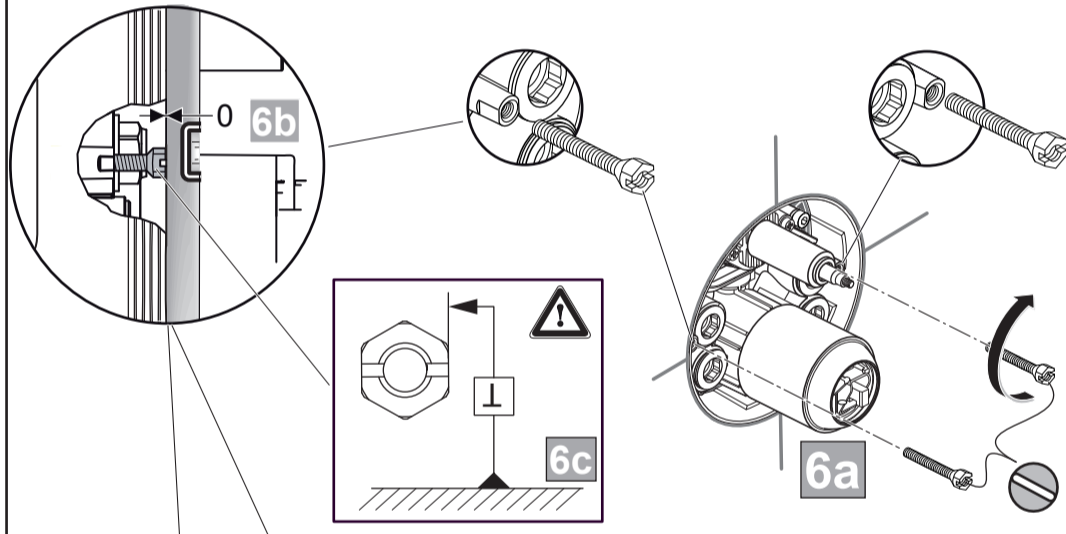
Ideal Standard International NV
 Corporate Village - Gent Building
 Da Vincilaan 2
 1935 Zaventem
 Belgium

www.idealstandardinternational.com





| Pressure 0,3 MPa 3 bar | Temperature °C | Snowflake icon | 0 | 1 | 2 | 3 | 4 | 5 | 6 | 7 | 8 | 9 |
|------------------------------|-------------------|----------------|------|------|------|------|------|------|----|------|------|------|
| | | | °C | °C | °C | °C | °C | °C | °C | °C | °C | °C |
| 50°C | 16°C | | 49,5 | 49,5 | 48 | 46 | 42,5 | 41 | 37 | 33,5 | 31 | 28 |
| 65°C | 16°C | | 65 | 65 | 63,5 | 60,5 | 57 | 53,5 | 49 | 44,5 | 39 | 34,5 |
| 81°C | 16°C | | 81 | 81 | 78,5 | 73 | 69 | 63,5 | 56 | 49 | 42,5 | 36 |



| | | | | | | | |
|--|----------|-----|-----|---------|----|--|---------------------|
| | P | bar | 0,5 | MAX. 10 | 5 | | Q (3 bar) |
| | T | °C | | MAX. 80 | 65 | | l/min |
| | | | | | 40 | | 23 |