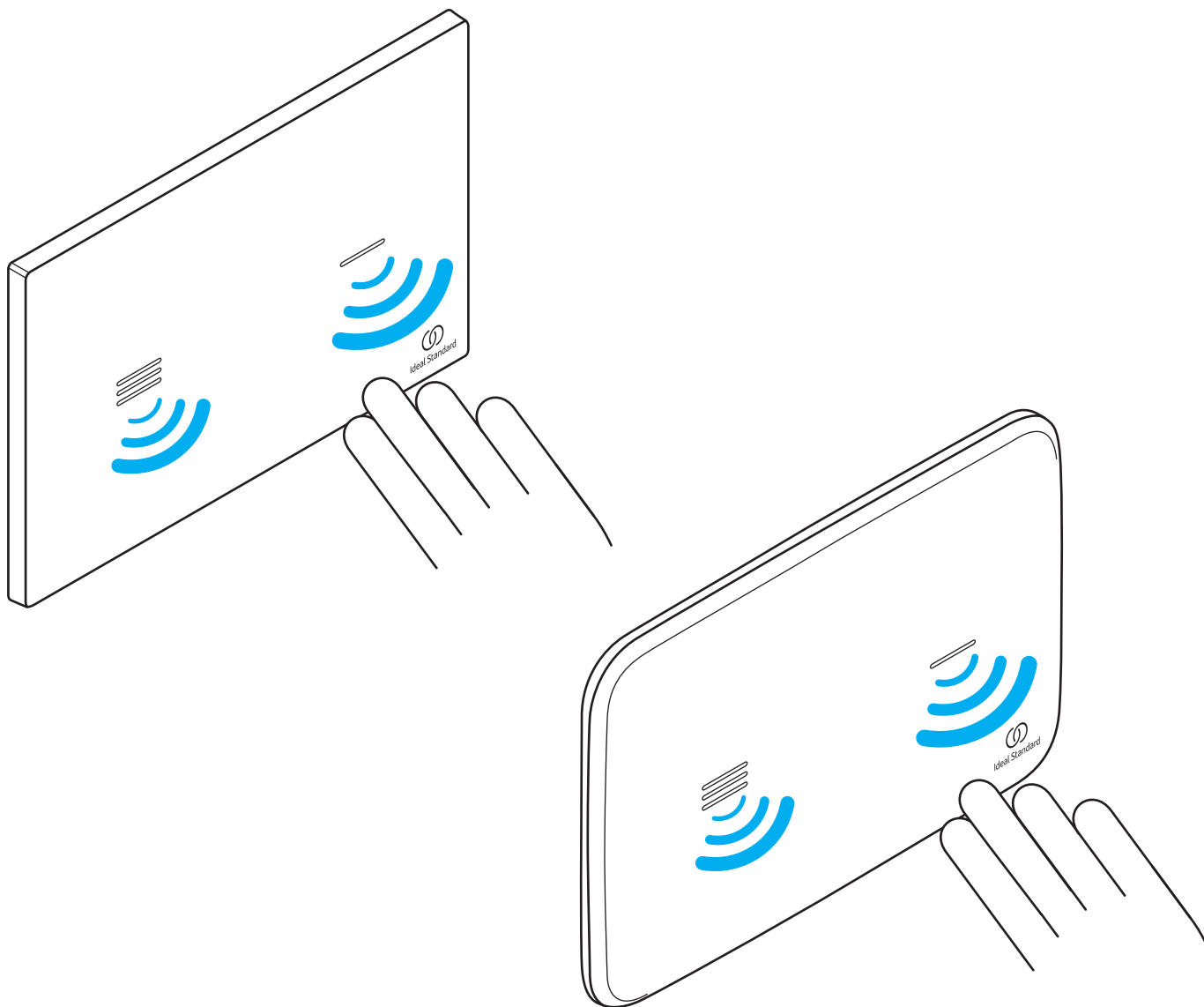
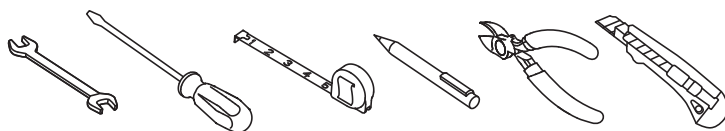


INSTALLATION

Installation - Installazione - Installation - Montage - Instalación - Montering - Монтаж
Montáž - Paigaldamine - Εγκατάσταση - Beszerelés - Montavimas - Montāža - Instalare
Инсталација - Montaž - Установка - Montaža - Montáž - Montaj - Інсталяція



NO-TOUCH

User manual

Bedienungsanleitung

Инструкция по применению

EN	1 - TARGET AUDIENCE	3
	2 - REQUIRED READING	3
	3 - SECURITY AND SYMBOLS	3
	4 - BEFORE INSTALLATION	4
	5 - ON-SITE ASSEMBLY CONDITIONS	4
	6 - PRODUCT	5
	7 - TECHNICAL SPECIFICATIONS	6
	8 - FIRST USE	6 - 7
	9 - PRINCIPLE OF OPERATION	8
	10 - FUNCTIONS AND SETTINGS	9 - 12
	11 - ENERGY AND SUSTAINABILITY	12
	12 - TROUBLESHOOT	13 - 15
	13 - CARE AND MAINTENANCE	16 - 20
DE	1 - ZIELGRUPPE	21
	2 - PFLICHTLEKTÜRE	21
	3 - SICHERHEIT UND SYMBOLE	21
	4 - VOR DER INSTALLATION	22
	5 - MONTAGEBEDINGUNGEN VOR ORT	22
	6 - PRODUKT	23
	7 - TECHNISCHE SPEZIFIKATION	24
	8 - ERSTE BENUTZUNG	24 - 25
	9 - FUNKTIONSPRINZIP	26
	10 - FUNKTIONEN UND EINSTELLUNGEN	27 - 30
	11 - ENERGIE UND NACHHALTIGKEIT	30
	12 - FEHLERBEHEBUNG	31 - 33
	13 - PFLEGE UND WARTUNG	34 - 38
RU	1 - ЦЕЛЕВАЯ АУДИТОРИЯ	39
	2 - ОБЯЗАТЕЛЬНО ДЛЯ ОЗНАКОМЛЕНИЯ	39
	3 - БЕЗОПАСНОСТЬ И СИМВОЛЫ	39
	4 - ПЕРЕД УСТАНОВКОЙ	40
	5 - УСЛОВИЯ СБОРКИ НА МЕСТЕ	40
	6 - ИЗДЕЛИЕ	41
	7 - ТЕХНИЧЕСКИЕ ХАРАКТЕРИСТИКИ	42
	8 - ПЕРВОЕ ИСПОЛЬЗОВАНИЕ	42 - 43
	9 - ПРИНЦИП ДЕЙСТВИЯ	44
	10 - ФУНКЦИИ И НАСТРОЙКИ	45 - 48
	11 - ЭНЕРГИЯ И ДОЛГОВЕЧНОСТЬ	48
	12 - ВЫЯВЛЕНИЕ НЕИСПРАВНОСТЕЙ	49 - 51
	13 - УХОД И ТЕХНИЧЕСКОЕ ОБСЛУЖИВАНИЕ	52 - 56

1-TARGET AUDIENCE

These assembly instructions are intended for installation companies specializing in sanitary systems with electrical components. The product described in these instructions must only be installed by authorized installation companies in the area of sanitary systems.

2-REQUIRED READING

The installation company is committed to read, understand and observe the assembly instructions and, in particular, the chapter on safety regulations. If you have any questions, please contact Ideal Standard.

EN
DE
RU

3-SECURITY AND SYMBOLS

MEANING OF SAFETY NOTICES AND SAFETY STANDARDS

SAFETY NOTES

The pictograms and signs relating to safety instructions, precautions and warnings in the installation instructions have the following meaning:



Warning! Possible damaging situation, can damage the product or something around it.
Important! Instructions for use and other useful information to facilitate the use of the product in accordance with the standards.



To test / attention to moisture.



Electrical voltage hazard.



System with hydro generator - Smartforce



Mains power system - AC

4-BEFORE INSTALLATION

Before starting the assembly, read thoroughly and understand the assembly instructions.

The product must be assembled, installed and connected only in accordance with these instructions.

Before applying your system confirm the compatibility of your installation at www.idealstandard.com.

When planning and installing sanitary equipment, local, national and international regulations and standards must be observed and respected.

Examine the contents of the product before beginning the assembly to verify that it is complete.

A product that is incomplete or has visible damage or malfunctions should not be installed. No liability can be assumed for damages caused by improper transport or by temporary storage.

EN

DE

RU

5-ON-SITE ASSEMBLY CONDITIONS



Water grid pressure 0.5 bar at
max. 10 bar



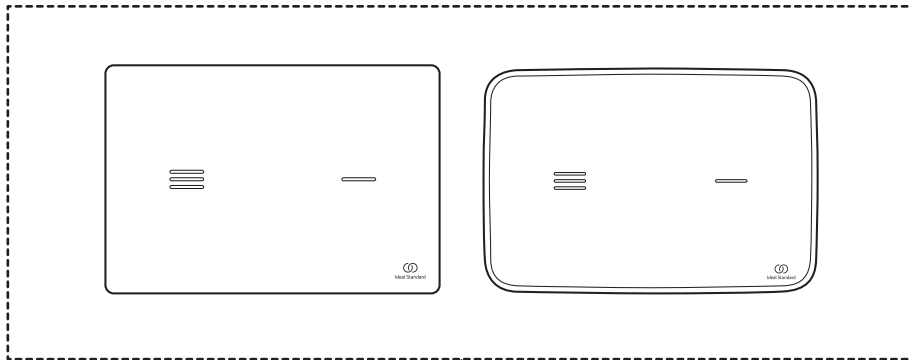
Water grid pressure 0.5 bar at
max. 10 bar



Mains voltage
110 - 240 VAC / 50-60Hz with a
general switch for all poles
connected to mains supply and
contact opening capacity of 3 mm.

6-PRODUCT

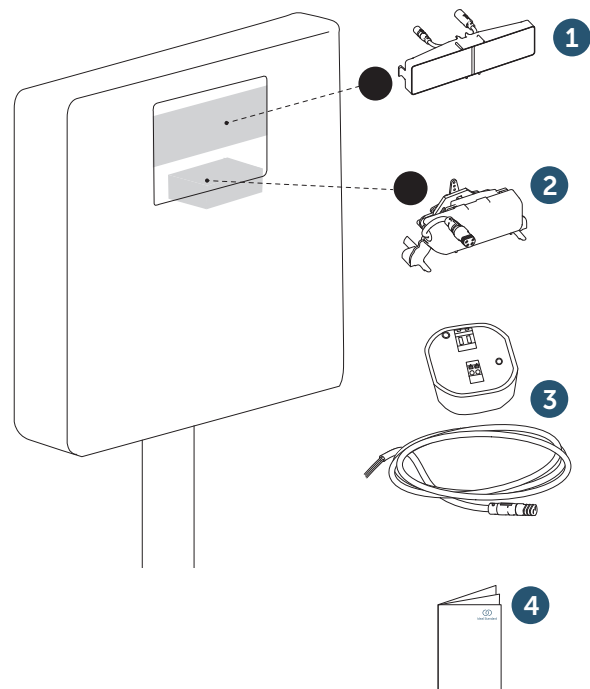
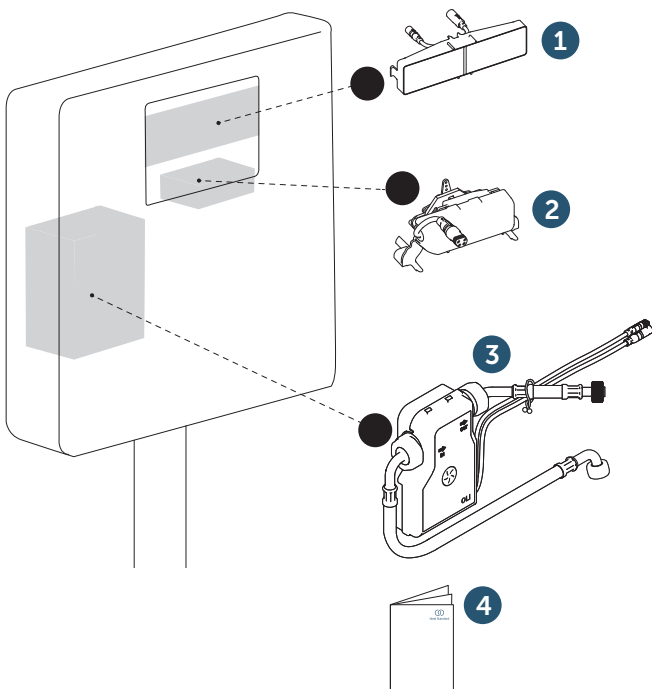
NO TOUCH 



EN
DE
RU

Smartforce 

 AC power-mains



NR	DESCRIPTION
1	CAPACITIVE SENSOR
2	SERVOMOTOR
3	HYDRO GENERATOR
4	ASSEMBLY INSTRUCTIONS

NR	DESCRIPTION
1	CAPACITIVE SENSOR
2	SERVOMOTOR
3	TRANSFORMER
4	ASSEMBLY INSTRUCTIONS

7-TECHNICAL SPECIFICATIONS



	SMARTFORCE
RATED VOLTAGE	6.4V DC
BATTERY TYPE	LiFePO ₄
BATTERY CAPACITY	3000 mAh
OPERATION WATER PRESSURE	0.5 - 10 BAR



	AC POWER-MAINS
OPERATION VOLTAGE	110-240V AC
GRID VOLTAGE	50-60 HZ
TYPE OF GRID CONNECTION	BORNE KRE
OPERATION WATER PRESSURE	0.5 - 10 BAR

EN
DE
RU



- Non-contact electronic flush system
- Capacitive Sensor Dual Flush
- For front flush plate installation
- IP68 protection rate
- Customizable LED lighting
- Configurable hygienic flush

8-FIRST USE



BEFORE ANY USE

For safety and longevity of the system, the battery of the hydro generator is only partially charged. For optimum use, the full charge of the hydro generator, with the supplied charger, is advised before any use (see Charging the Battery in the maintenance chapter).

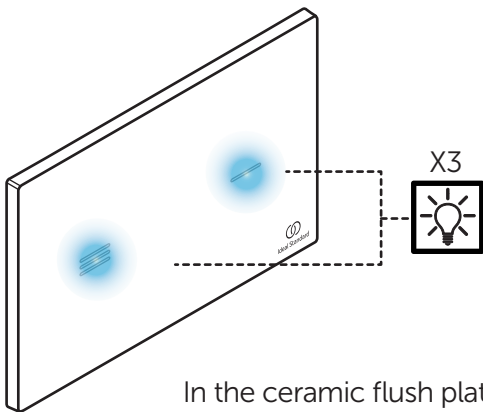


CALIBRATION

To ensure correct operation of the flush plate over a variety of environmental conditions - temperature and humidity - the sensor is equipped with an automatic calibration function (procedure)

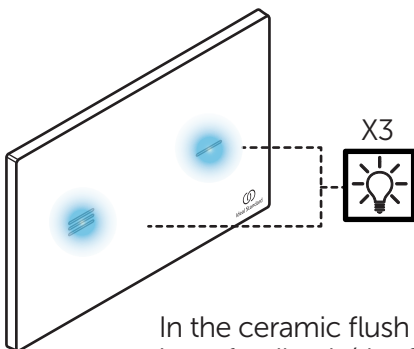
EN
DE
RU

- 1** Once the sensor is connected to the power source, it will confirm that it has energy through 3 consecutive flashes.



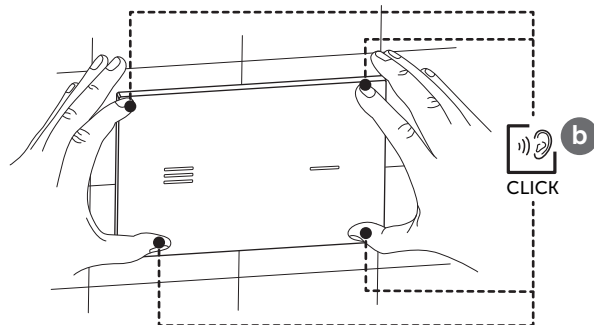
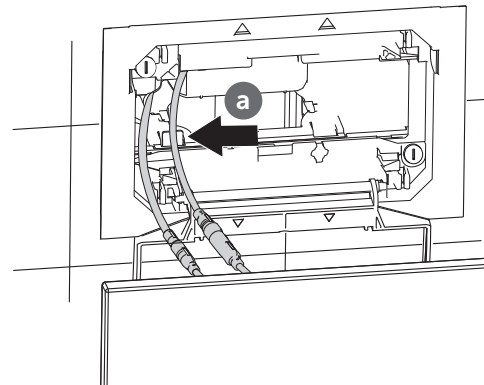
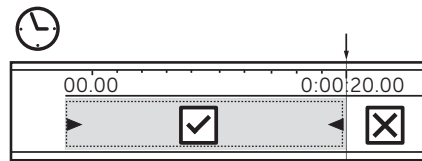
In the ceramic flush plate there is no feedback (the flashes are not visible in the ceramic flush plate).

- 3** After the standby period has elapsed, the calibration routine starts automatically and its completion is communicated again by 3 consecutive flashes. The system is ready for use.



In the ceramic flush plate there is no feedback (the flashes are not visible in the ceramic flush plate).

- 2** There is a 20-second period in which the user / installer should complete the installation and place the system in its final operating position.



Note: For proper operation of the product, calibration must be performed with the sensor / flush plate in its final operating position. Otherwise, the product may not detect the user or cause incorrects or unwanted flushes. If any of these symptoms occur, turn off the system and follow this procedure again.

9-PRINCIPLE OF OPERATION



SYSTEM ACTUATION

The realization of no touch flushes is achieved through an electronic system, composed of capacitive sensors, that senses user inputs. Detection is made up to 30mm from the flush plate.

EN
DE
RU

INTERACTION

1 Move your hand close to the flush symbol you want to perform

Lower volume flush (half-flush)
(left capacitive button)

Higher volume flush (full flush):
(right capacitive button)

2 Remain until the LED lights up or the flush is performed

0:00:01.00

3 Remove your hand

10-FUNCTIONS AND SETTINGS












For functions and settings in the ceramic flush plate, see page 12 to disassemble the flush plate.

EN
DE
RU

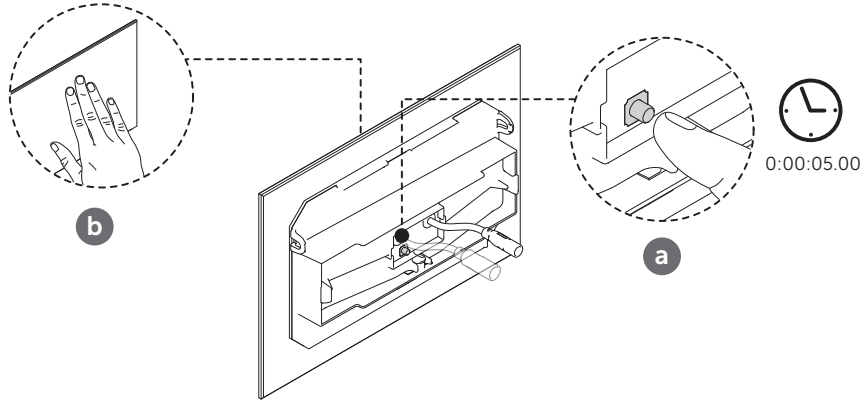
MENU NAVIGATION

Navigation through the 6 menus is done using the physical button on the back of the sensor. To activate the menu, press the button for 5 seconds. The illumination of both sensors will light up and the colour of the LEDs indicates the active menu.

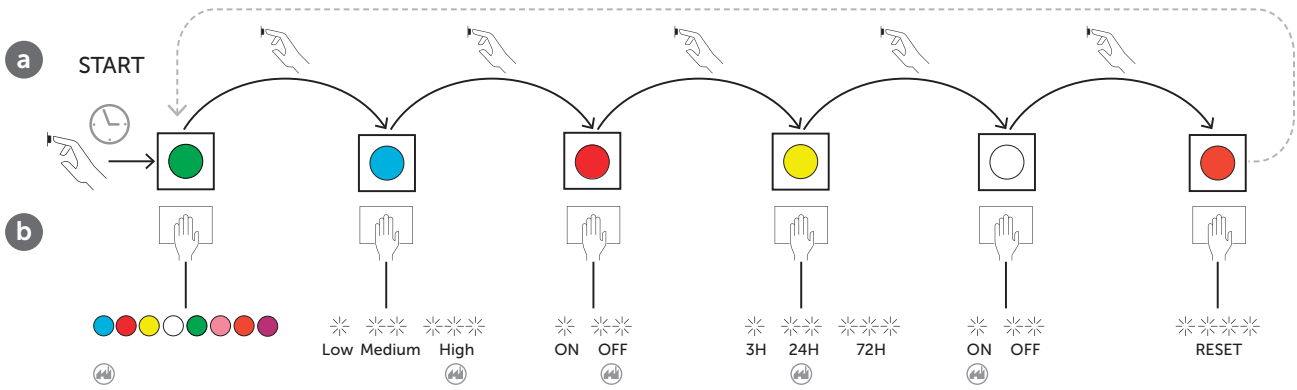
FUNCTION	DESCRIPTION	AVAILABLE SETTINGS	FACTORY SETTINGS
 Colour adjustment of the LED lights	The following colours can be set: Blue, Red, Yellow, White, Green, Violet, Orange, Purple	Blue  Red  Yellow  White  Green  Violet  Orange  Purple 	Blue 
 Sensor sensitivity adjustment	The sensor allows you to adjust the detection sensitivity in three levels	Low Medium High	High
 Enable or disable duty flush	The sensor allows automatic flushes to be performed at regular intervals if there is no frequent usage	ON OFF	OFF
 Set automatic/hygienic flush timing	It is possible to define three regular time intervals between automatic flushes	3H 24H 72H	24H
 Enable or disable sensor lighting	For greater energy savings (or if the ceramic flush plate is used), it is possible to deactivate the sensor illumination	ON OFF	ON
 Reset factory settings	The parameters for all functions are reset to the factory default values	Reset	-



NAVIGATION BETWEEN MENUS

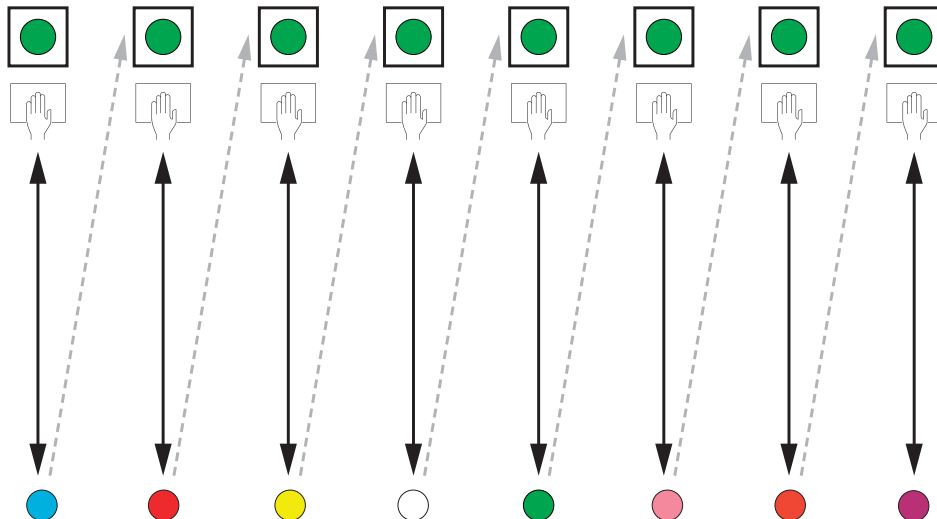


EN
DE
RU

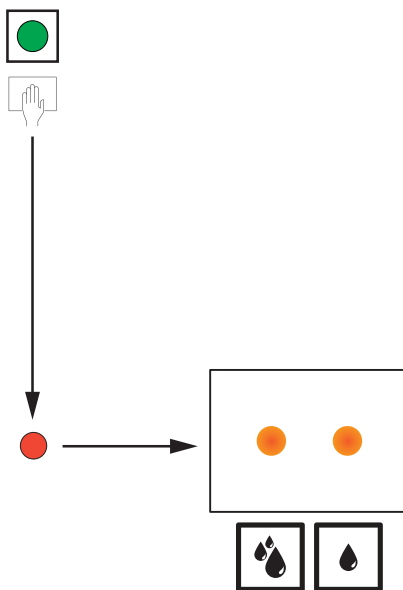


SETTINGS AJUSTMENT


The navigation and settings definition of each function is done on the full flush capacitive button. After choosing the menu you want, to go through each one of the options you have to proceed as follows, when approaching your hand to the discharge symbol the first menu option will appear. If you want to change to another menu option, you always have to bring your hand closer to the discharge symbol. Check the scheme below:

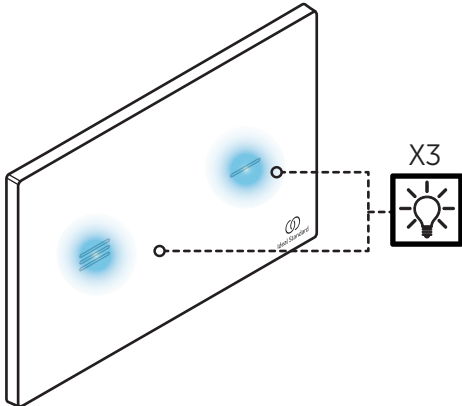


After setting the desired menu option, wait, and the system will take your option and return to discharge mode. As you can verify below:

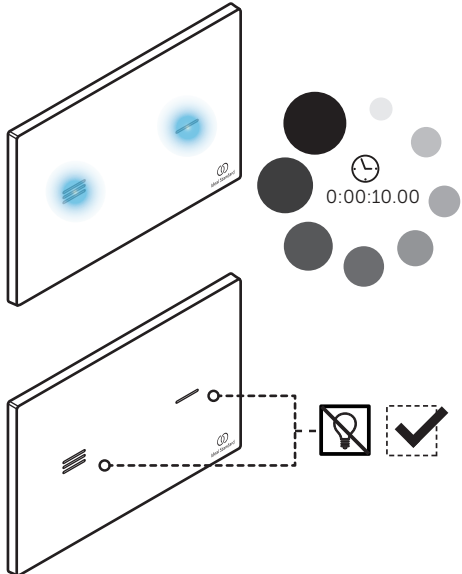


These procedures are the same for all menus.

1 With each change made, the flush plate/sensor reports the new setting status through the number of flashes (e.g. in menu , the indication that the high sensitivity level has been selected is given by 3 consecutive blue flashes).



2 To validate your changes and exit the menu, wait 10 seconds without interacting with the sensor. The flush plate is ready for use when the lights go off.

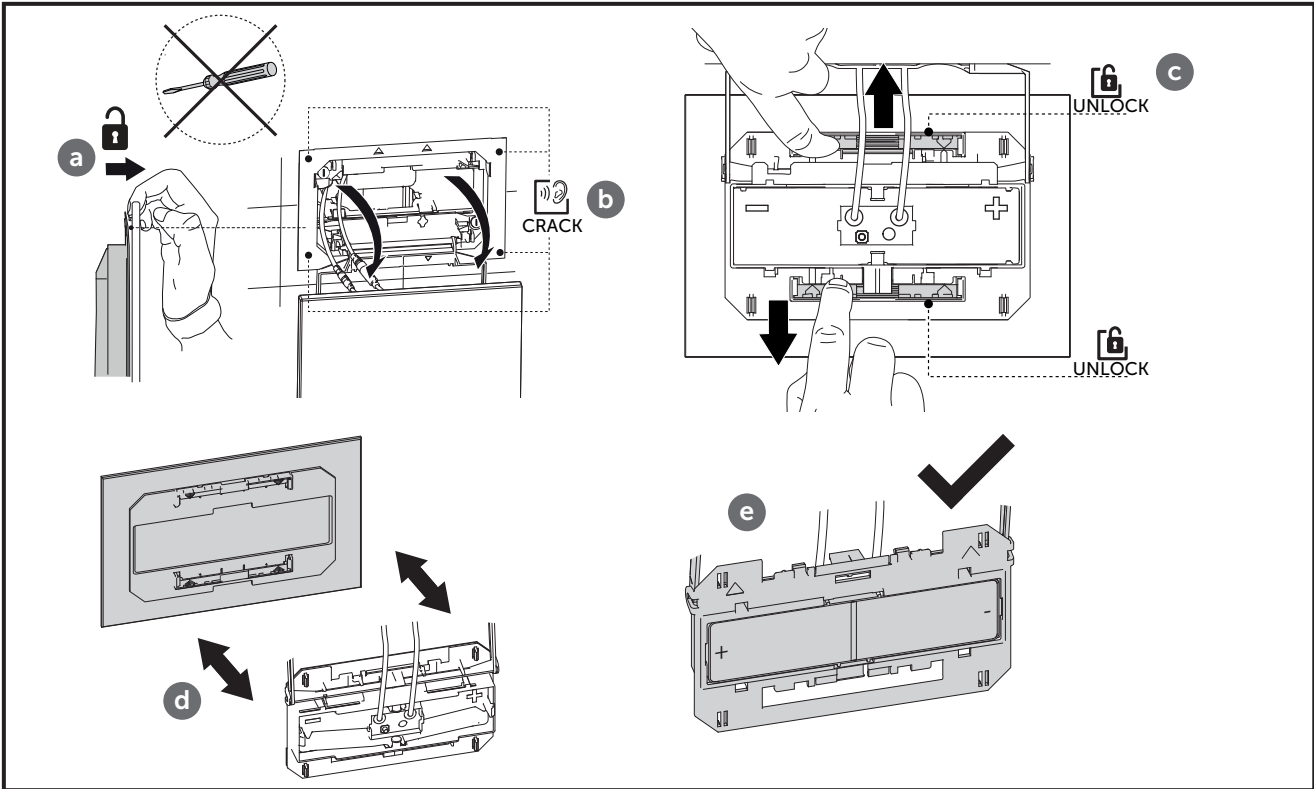



Note: All settings are stored in the sensor memory even when the sensor is out of power or is restarted.



DISASSEMBLY OF CERAMIC FLUSH PLATE

To access the menu settings on the ceramic flush plate it is necessary to disassemble the flush plate as instructed.



EN
DE
RU

11-ENERGY AND SUSTAINABILITY



When the cistern is being filled - when water flows from the angle valve to the filler mechanism - the hydro generator generates an electric current. This energy is stored in the battery for later use. In turn, this battery feeds the capacitive sensor for the user interface and actuator mechanism to perform flushes.

FLUSHES PER DAY	CHARGES (2 YEARS)
0	5
5	4
10	3
15	2
20	1
25	0

The high-capacity battery pack ensures system operation for several months, even with reduced product usage.

With more frequent use, their lifetime is extended, thanks to the energy generated by the hydro generator - the surplus energy generated is accumulated in the batteries.

*It is possible to recharge the batteries through the provided charger.

12-TROUBLESHOOT



MALFUNCTION	POSSIBLE CAUSE	PROCEDIMENTO
Flush plate flashes red after flushing	<ul style="list-style-type: none"> • Low energy level 	<ul style="list-style-type: none"> • Recharge battery
Flush plate flashes red and doesn't flush	<ul style="list-style-type: none"> • Extremely low energy level 	<ul style="list-style-type: none"> • Recharge battery
Frequent low battery (red flashes) indication	<ul style="list-style-type: none"> • Clogged filter • Faulty hydro generator 	<ul style="list-style-type: none"> • Verify/clean the filter • Replace hydro generator
When interacting with the flush plate, lighting works but no flush is performed	<ul style="list-style-type: none"> • Faulty software 	<ul style="list-style-type: none"> • Reboot system
	<ul style="list-style-type: none"> • Servomotor misconnection 	<ul style="list-style-type: none"> • Check connections
	<ul style="list-style-type: none"> • Faulty servomotor 	<ul style="list-style-type: none"> • Replace servomotor
	<ul style="list-style-type: none"> • Empty cistern 	<ul style="list-style-type: none"> • Check angle valve
	<ul style="list-style-type: none"> • Faulty software 	<ul style="list-style-type: none"> • Reboot system
When interacting with the flush plate, lighting doesn't work but a flush is performed	<ul style="list-style-type: none"> • LED function deactivated 	<ul style="list-style-type: none"> • Check LED function setting
	<ul style="list-style-type: none"> • Faulty software • Drained battery 	<ul style="list-style-type: none"> • Restart system • Recharge battery
When interacting with the flush plate, lighting doesn't work and no flush is performed	<ul style="list-style-type: none"> • Misconnections 	<ul style="list-style-type: none"> • Check connection with hydro generator
	<ul style="list-style-type: none"> • Faulty hydro generator 	<ul style="list-style-type: none"> • Replace hydrogenate
	<ul style="list-style-type: none"> • Poor calibration 	<ul style="list-style-type: none"> • Reboot system
	<ul style="list-style-type: none"> • Faulty sensor 	<ul style="list-style-type: none"> • Replace sensor / flush plate
When interacting with the flush plate, two flashes in both sensors are presented and no flush is performed	<ul style="list-style-type: none"> • Cleaning mode activated due to poor calibration 	<ul style="list-style-type: none"> • Reboot system
	<ul style="list-style-type: none"> • Excessive condensation inside the flush plate 	<ul style="list-style-type: none"> • Verify / clean flush plate interior
Ceramic bowl cleaning is not effective	<ul style="list-style-type: none"> • Flush volumes may be set incorrectly 	<ul style="list-style-type: none"> • Check the flush mechanism (outlet valve) configuration
	<ul style="list-style-type: none"> • Faulty software 	<ul style="list-style-type: none"> • Reboot system
Water runs continuously in ceramic bowl	<ul style="list-style-type: none"> • Faulty rubber sealing 	<ul style="list-style-type: none"> • Replace rubber sealing
	<ul style="list-style-type: none"> • Faulty flush system 	<ul style="list-style-type: none"> • Replace flush system
	<ul style="list-style-type: none"> • Faulty filling mechanism (inlet valve) 	<ul style="list-style-type: none"> • Replace filling mechanism (inlet valve)
Unprovoked flushes	<ul style="list-style-type: none"> • Hygienic automatic flush activated 	<ul style="list-style-type: none"> • Verify hygienic automatic flush function setting
	<ul style="list-style-type: none"> • Poor calibration 	<ul style="list-style-type: none"> • Reboot system
Incorrect flushes	<ul style="list-style-type: none"> • Faulty software 	<ul style="list-style-type: none"> • Reboot system
	<ul style="list-style-type: none"> • Dirty or wet flush plate 	<ul style="list-style-type: none"> • Verify / clean flush plate interior
	<ul style="list-style-type: none"> • Poor calibration 	<ul style="list-style-type: none"> • Reboot system
Charger doesn't show green light	<ul style="list-style-type: none"> • Faulty wall charger 	<ul style="list-style-type: none"> • Replace the wall charger
	<ul style="list-style-type: none"> • Faulty hydro generator 	<ul style="list-style-type: none"> • Replace hydro generator
Long filling times	<ul style="list-style-type: none"> • Clogged filter 	<ul style="list-style-type: none"> • Verify/clear hydro generator filter
	<ul style="list-style-type: none"> • Low water grid pressure (<2 bar/>120s) 	<ul style="list-style-type: none"> • Remove flow regulator from the filling mechanism (inlet valve)

12-TROUBLESHOOT



EN
DE
RU

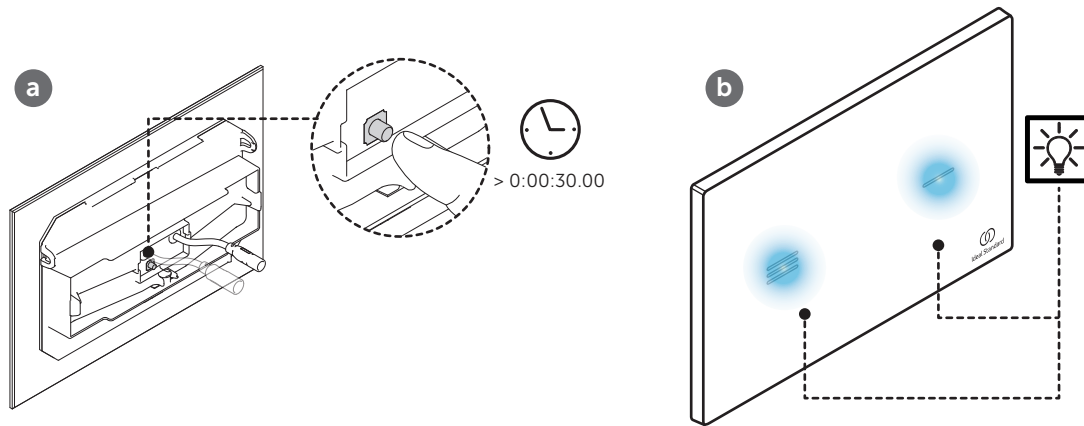
MALFUNCTION	POSSIBLE CAUSE	PROCEDIMENTO
When interacting with the flush plate, lighting works but no flush is performed	• Faulty software	• Reboot system
	• Servomotor misconnection	• Check connections
	• Faulty servomotor	• Replace servomotor
	• Empty cistern	• Check angle valve • Check for eventual blockage in the filling mechanism (inlet valve) • Check for water in the grid
When interacting with the flush plate, lighting doesn't work but a flush is performed	• Faulty software	• Reboot system
	• LED function deactivated	• Check LED function setting
When interacting with the flush plate, lighting doesn't work and no flush is performed	• Faulty software	• Reboot system
	• Blackout	• Check electrical power
	• Faulty software	• Reboot system
	• Falha de energia	• Check connections to the mains adaptor
	• Misconnections	• Check connections to the mains adaptor
	• Faulty mains adaptor	• Replace mains adaptor
	• Poor calibration	• Reboot system
When interacting with the flush plate, two flashes in both sensors are present and no flush is performed	• Faulty sensor	• Replace sensor / flush plate
	• Cleaning mode activated due to poor calibration	• Reboot system
Ceramic bowl cleaning is not effective	• Excessive condensation inside the flush plate	• Verify / clean flush plate interior
	• Flush volumes may be set incorrectly	• Check the flush mechanism (outlet valve) configuration • Check if the filling mechanism (inlet valve) is performing correctly
Water runs continuously in ceramic bowl	• Faulty software	• Reboot system
	• Faulty rubber seal	• Replace rubber seal
	• Faulty flush system	• Replace flush system
	• Faulty filling mechanism (inlet valve)	• Replace filling mechanism (inlet valve)
	• Desynchronized servomotor	• Manual calibration
	• Incorrect flushes	• Manual calibration
Unprovoked flushes	• Hygienic automatic flush activated	• Verify hygienic automatic flush function setting
	• Poor calibration	• Reboot system
Incorrect flushes	• Faulty software	• Reboot system
	• Dirty or wet flush plate	• Verify / clean flush plate interior
	• Poor calibration	• Reboot system



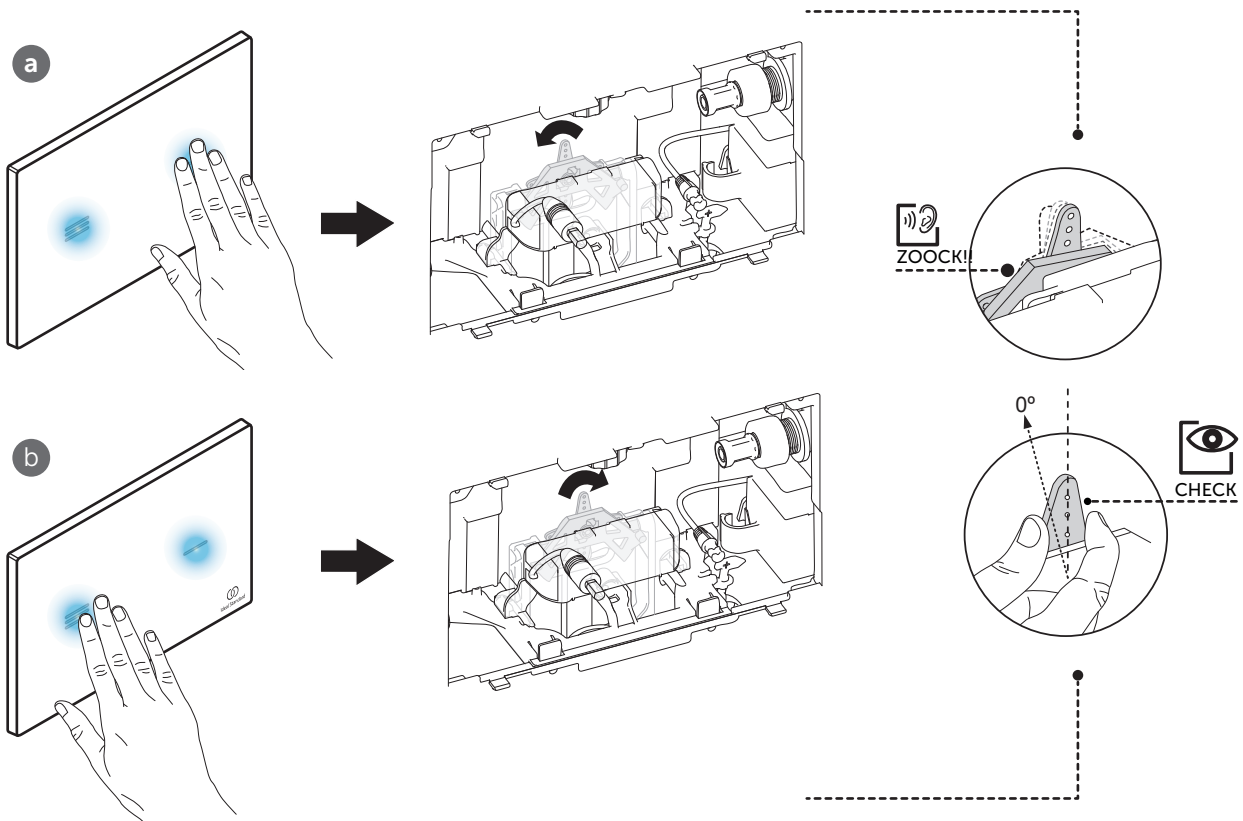
MANUAL CALIBRATION

EN
DE
RU

- 1** To calibrate the servomotor you need to press the button at the back of the sensor. The button should be pressed during 30 seconds or more **(a)** until the two blue flushes **(b)** light up.



- 2** After the blue light appears, you can calibrate by placing your hand over one of the capacitive buttons. When positioning the hand over the half flush capacitive button **(a)**, the servomotor will move to the left. If you place your hand over the full flush capacitive button **(b)** the servomotor will move to the right.



13-CARE AND MAINTENANCE

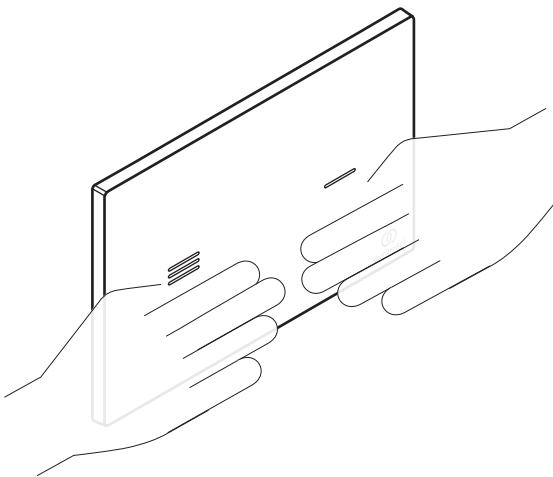
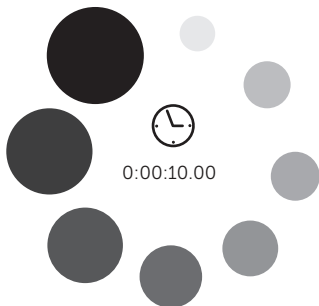


CLEANING MODE

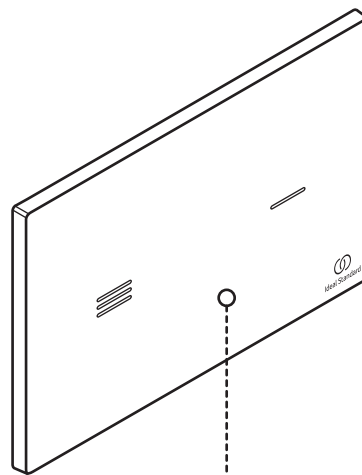
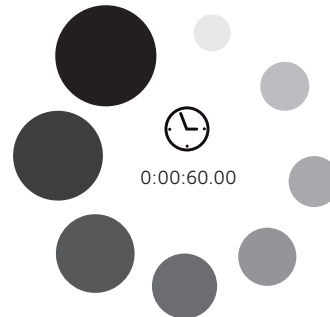
The flush plate has a cleaning mode that allows the user to clean it without provoking undesired flushes.

EN
DE
RU

- 1** Unlike the other functions, this can be activated directly without disassembling the flush plate, with the simultaneous interaction of both sensors for 10 seconds.



- 2** Once the cleaning time has elapsed - 60 seconds - the flush plate returns to the normal operating mode.





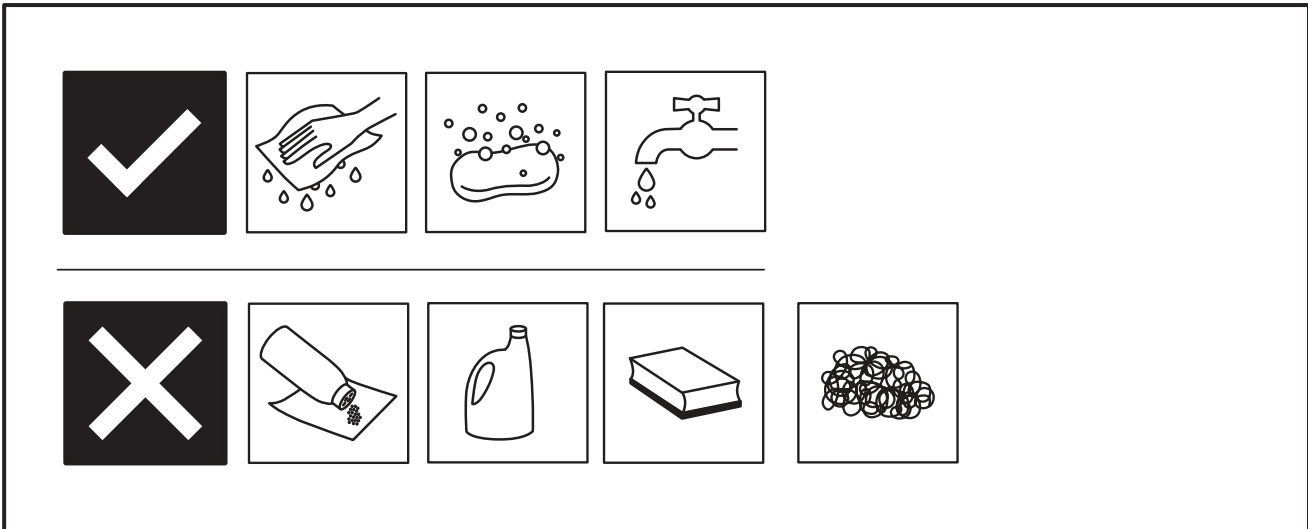
CLEANING THE FLUSH PLATE

The surface is simple to clean and care for. Use a soft cloth and soap and water solution for regular care. Wipe clean with a dry cloth.

Avoid the use of abrasives or solvents, which damage the surface.

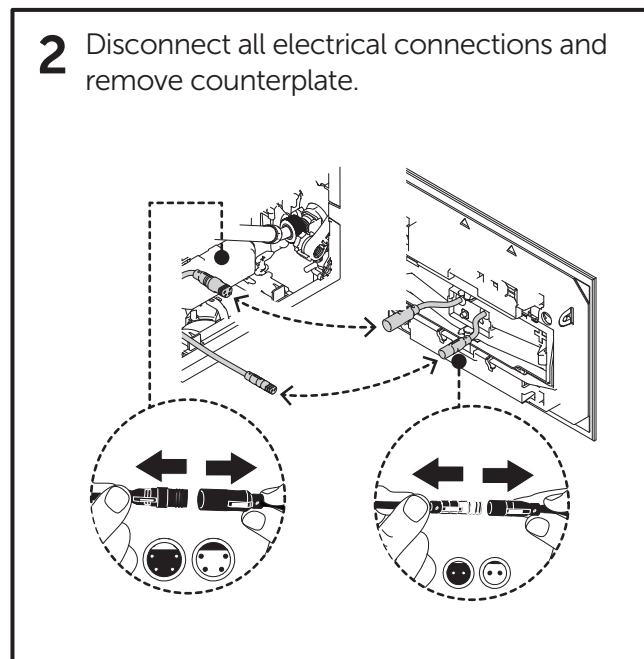
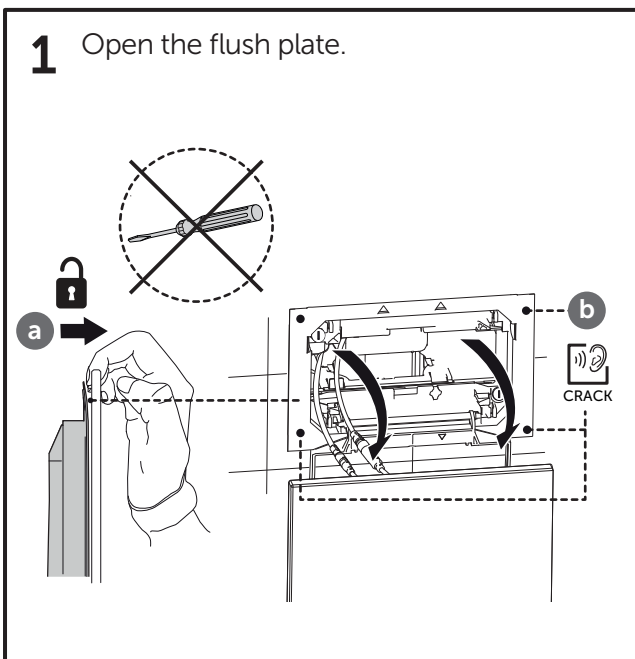
Damage caused by improper handling by the user is not covered by our warranty.

EN
DE
RU

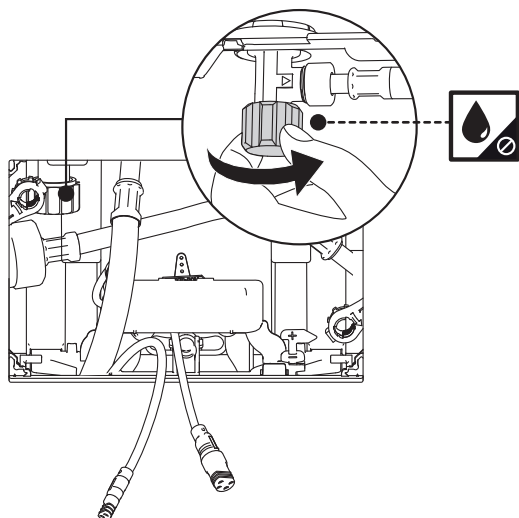


CLEANING THE FILTER

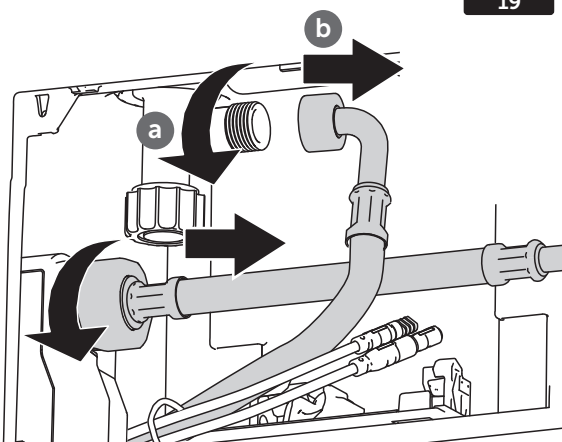
For protection of the hydro generator and filling mechanism (inlet valve), the Hydroboost system incorporates a small particles filter in the water circuit. In case of installation in areas with polluted water/new buildings, there is the possibility of debris accumulating over time and loss of circuit efficiency. Therefore, periodic maintenance is advised.



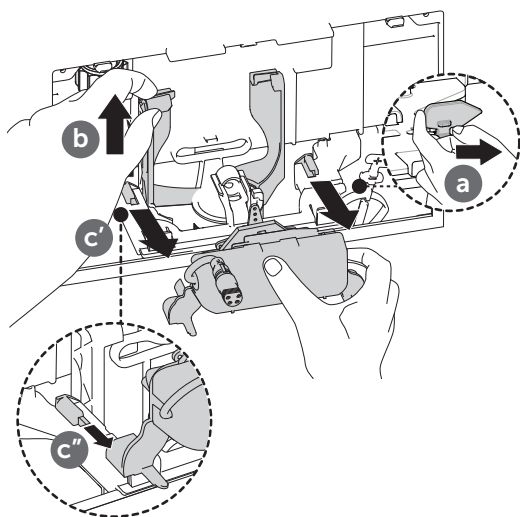
3 Close the stop valve



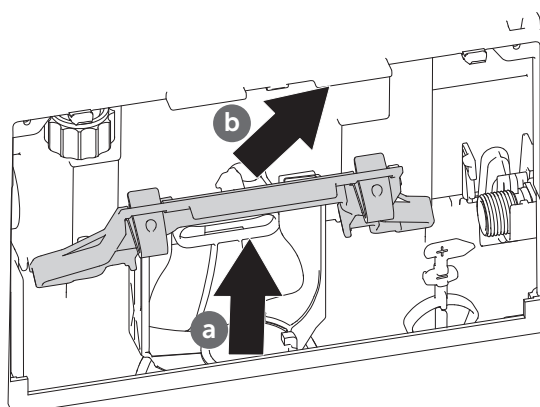
4 Disconnect the flexible hose



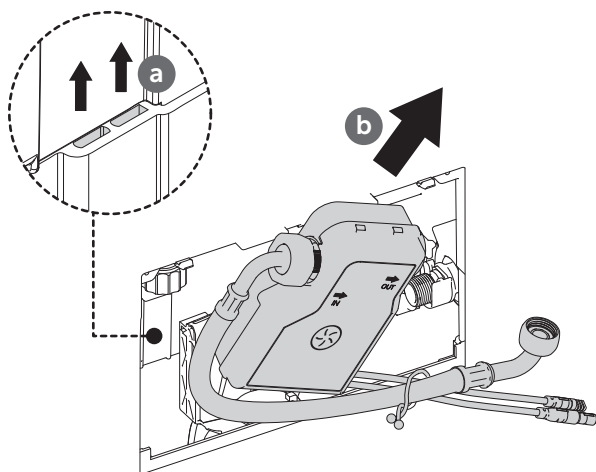
5 Retirar servomotor



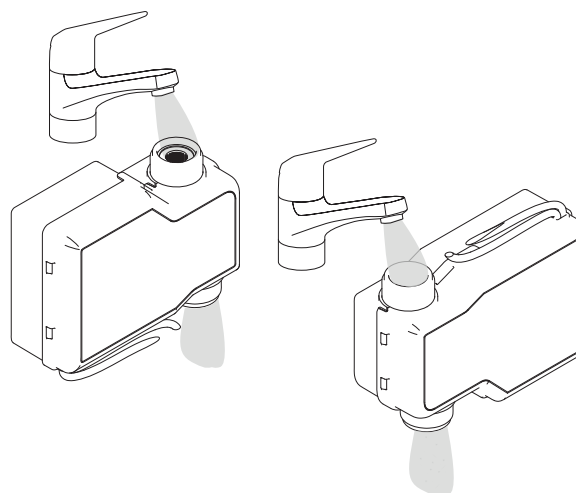
6 Remove the central block



7 Remove hydro generator



8 Wash thoroughly with water on both sides.

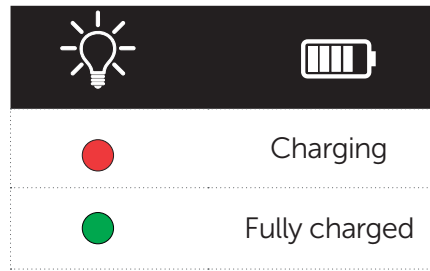
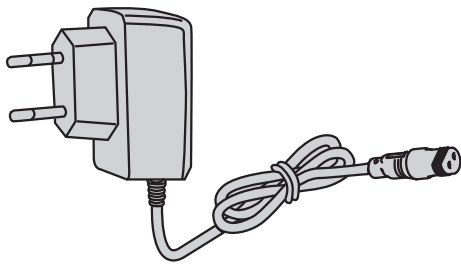




CHARGING THE BATTERY

The Smartforce system consists of a hydro generator and a battery pack. As such, the energy level in the batteries might be low with infrequent use (the hydro generator only produces energy and charges the battery when flushes are performed) and / or by the natural decay of the batteries over time. In both cases, the system may need to be charged with the charger provided for this purpose.

EN
DE
RU



To do this, follow the procedure:

1 Remove the flush plate.

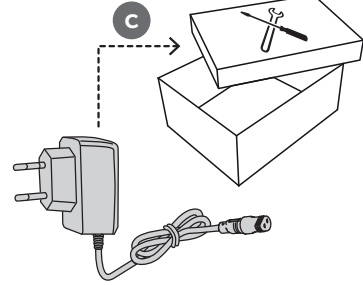
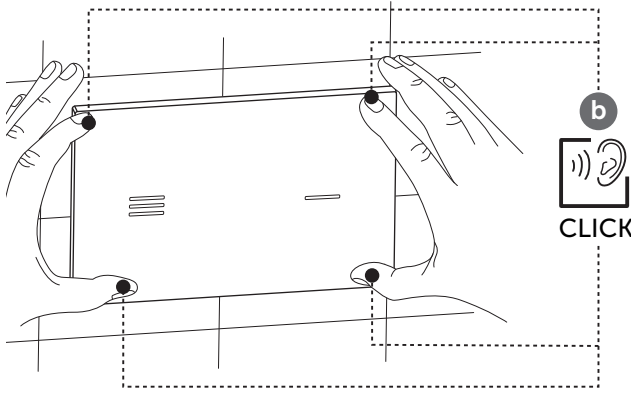
2 Remove the hydro generator charging cable from its housing. Remove the safety cap from the end of the cable and connect to the end of the charger wire

3 Connect the charger to a wall outlet and confirm that the charger light (red) lights up, indicating that it is being charged

The system can be used normally during charging

The system will be fully charged when the charger light turns green. Charging time should be less than 4 hours.

- 4** Once completed, the safety cap should be placed back on the end of the cable and the cable should be housed on the counter plate. The flush plate should be placed back into its operating position and the charger stored for future use.



EN
DE
RU

1-ZIELGRUPPE

Diese Montageanleitung richtet sich an Sanitär-Installationsfirmen, welche auf Montagen in Verbindung mit elektrischen Komponenten spezialisiert sind. Das in dieser Anleitung beschriebene Produkt darf nur von autorisierten Installationsfirmen der Sanitärbranche installiert werden.

2-PFLICHTLEKTÜRE

Das Installationsunternehmen ist verpflichtet, die Montageanleitung und insbesondere das Kapitel über Sicherheitsvorschriften zu lesen, zu verstehen und zu beachten. Wenn Sie Fragen haben, wenden Sie sich bitte an die Mitarbeiter von Ideal Standard.

EN

DE

RU

3-SICHERHEIT UND SYMBOLE

BEDEUTUNG VON SICHERHEITSHINWEISEN UND SICHERHEITSSTANDARDS

SICHERHEITSHINWEISE

Die Piktogramme und Zeichen in Bezug auf Sicherheitsanweisungen, Vorsichtsmaßnahmen und Warnungen in die Installationsanleitung haben folgende Bedeutung:



Warnung! Mögliche Schadenssituationen, können das Produkt oder etwas um es herum beschädigen.

Wichtig! Gebrauchsanweisung und andere nützliche Informationen um die Verwendung des Produkts in Übereinstimmung mit den Standards zu erleichtern.



Zum Prüfen / Aufmerksamkeit bei Feuchtigkeit



Gefahr durch elektrische Spannung



System mit Hydrogenerator - Smartforce



Hauptstrom-System - AC

4-VOR DER INSTALLATION

Lesen Sie sich vor Beginn der Montage die Montageanleitung durch und verstehen diese. Das Produkt muss gemäß dieser Anleitung montiert, installiert und angeschlossen werden. Bevor Sie Ihr System installieren, bestätigen Sie die Kompatibilität Ihrer Installation unter www.idealstandard.com

Bei der Planung und Installation von Sanitäreinrichtungen müssen lokale, nationale und internationale Vorschriften und Normen beachtet und eingehalten werden.

Überprüfen Sie den Inhalt des Produkts, bevor Sie mit der Montage beginnen, um sicherzustellen, dass es vollständig ist.

Ein Produkt, das unvollständig ist oder sichtbare Schäden oder Fehlfunktionen aufweist, sollte nicht installiert werden. Für Schäden, die durch unsachgemäßen Transport oder durch Zwischenlagerung entstehen, kann keine Haftung übernommen werden.

EN
DE
RU

5-MONTAGEBEDINGUNGEN VOR ORT



Wassernetzdruck 0,5 bar bei
max. 10 Bar



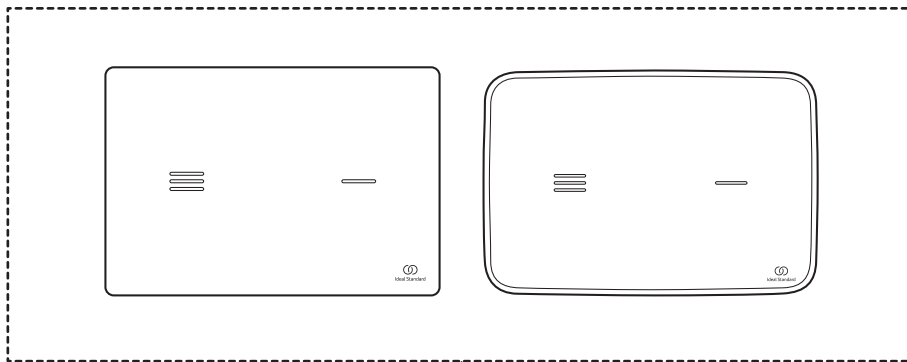
Wassernetzdruck 0,5 bar bei
max. 10 Bar



Netzspannung
110 - 240 VAC / 50-60Hz mit einem
allgemeinen Schalter für alle an das
Netz angeschlossenen Pole und
Kontaktöffnungsvermögen von 3 mm.

6-PRODUKT

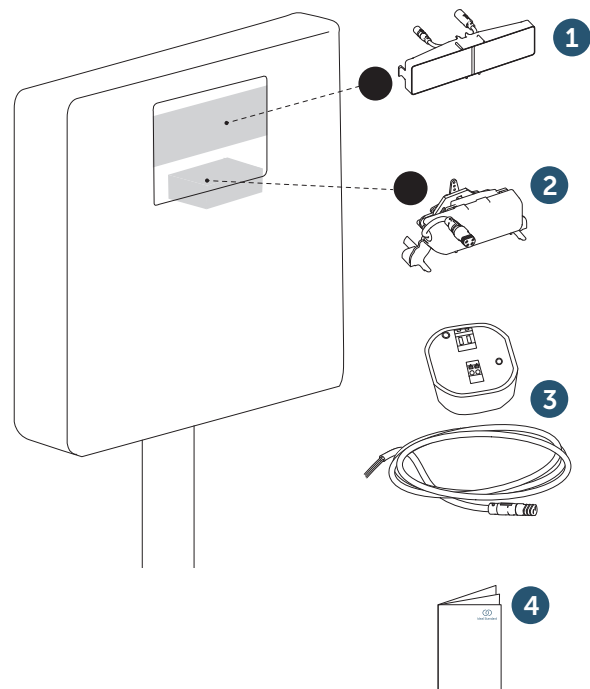
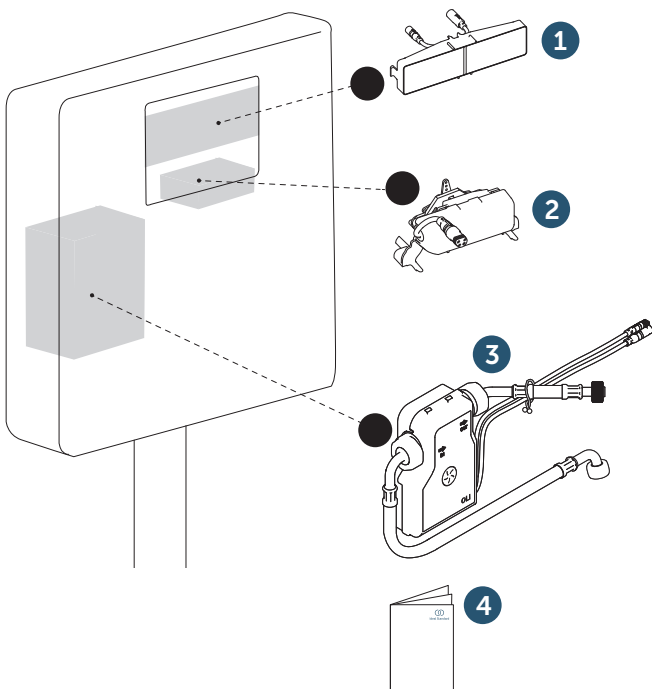
NO TOUCH 



EN
DE
RU

Smartforce 

 AC Hauptstrom-System



NR	BESCHREIBUNG
1	KAPAZITIVER SENSOR
2	SERVOMOTOR
3	HYDROGENERATOR
4	MONTAGEBESCHREIBUNG

NR	BESCHREIBUNG
1	KAPAZITIVER SENSOR
2	SERVOMOTOR
3	TRAFO
4	MONTAGEBESCHREIBUNG

7-TECHNISCHE SPEZIFIKATION



	SMARTFORCE
NENNSPANNUNG	6.4V DC
BATTERIEART	LiFePO ₄
BATTERIEKAPAZITÄT	3000mAh
BETRIEBSWASSER-DRUCK	0.5 - 10 BAR



	HAUPTSTROM SYSTEM
BETRIEBSSPANNUNG	110-240V AC
NETZSPANNUNG	50-60 HZ
ART DER NETZVERBINDUNG	BORNE KRE
BETRIEBSWASSERDRUCK	0.5 - 10 BAR

EN
DE
RU



- Berührungsloses elektronisches Spülsystem
- Kapazitiver Sensor 2-Mengen Spülung
- Für Front Betätigungsplatten Installation
- IP68 Schutzrate
- Anpassbare LED Farbe
- Konfigurierbare Hygiene-Spülung

8-ERSTE BENUTZUNG



VOR DER ERSTEN NUTZUNG

Zur Sicherheit und Langlebigkeit des Systems wird die Batterie des Hydrogenerators nur teilweise geladen. Für eine optimale Nutzung wird die volle Ladung des Hydrogenerators mit dem mitgelieferten Ladegerät vor jeder Verwendung empfohlen (siehe Aufladen der Batterie im Kapitel Wartung).

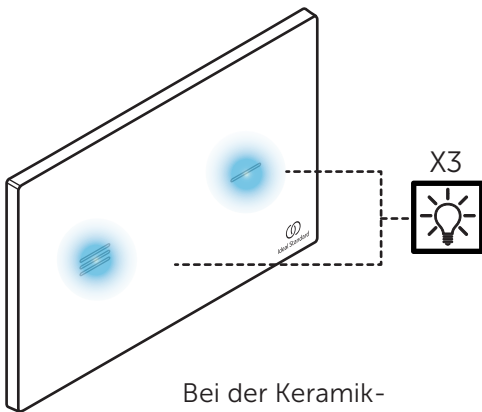


KALIBRIERUNG

Um den einwandfreien Betrieb der Betätigungsplatte bei verschiedenen Umgebungsbedingungen - Temperatur und Feuchtigkeit - zu gewährleisten, ist der Sensor mit einer automatischen Kalibrierfunktion ausgestattet.

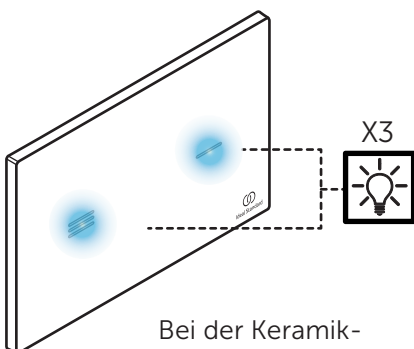
EN
DE
RU

- 1** Sobald der Sensor an die Stromquelle angeschlossen ist, wird durch drei aufeinanderfolgende Blitze bestätigt, dass er Energie hat.



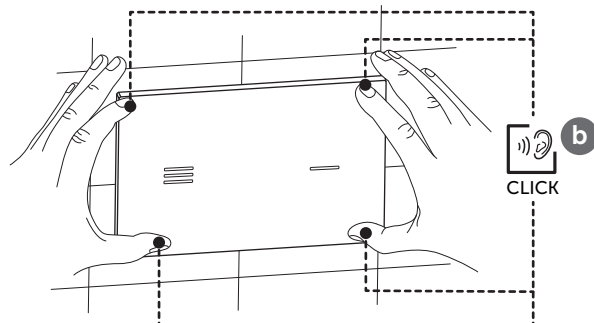
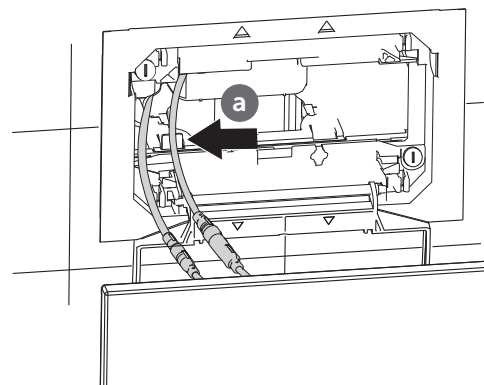
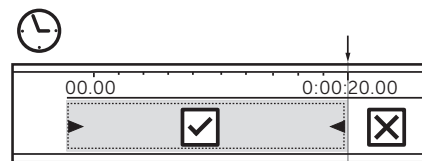
Bei der Keramik-Betätigungsplatte gibt es keine Rückmeldung (die Blitze sind in der Keramik-Betätigungsplatte nicht sichtbar).

- 3** Nach Ablauf der Standby-Zeit startet die Kalibrierungsroutine automatisch und ihre Beendigung wird erneut durch drei aufeinanderfolgende Blitze bestätigt. Das System ist betriebsbereit.



Bei der Keramik-Betätigungsplatte gibt es keine Rückmeldung (die Blitze sind in der Keramik-Betätigungsplatte nicht sichtbar).

- 2** Es gibt einen Zeitraum von 20 Sekunden, in dem der Benutzer / Installateur die Installation abschließen und das System in seine endgültige Betriebsposition bringen sollte.



Hinweis: Für einen ordnungsgemäßen Betrieb des Produkts muss die Kalibrierung mit dem Sensor / der Betätigungsplatte in der endgültigen Betriebsposition durchgeführt werden. Andernfalls erkennt das Produkt den Benutzer möglicherweise nicht oder verursacht falsche oder unerwünschte Spülungen. Wenn eines dieser Symptome auftritt, schalten Sie das System aus und befolgen Sie diesen Vorgang erneut.

9-FUNKTIONSPRINZIP



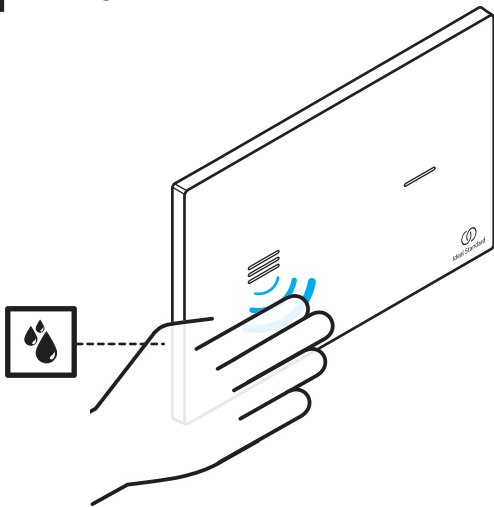
SYSTEMBETÄTIGUNG

Die Realisierung von "touch flushes" wird durch ein elektronisches System erreicht, das aus kapazitiven Sensoren besteht und Benutzereingaben erfasst. Die Erkennung erfolgt bis zu 30 mm von der Betätigungsplatte entfernt.

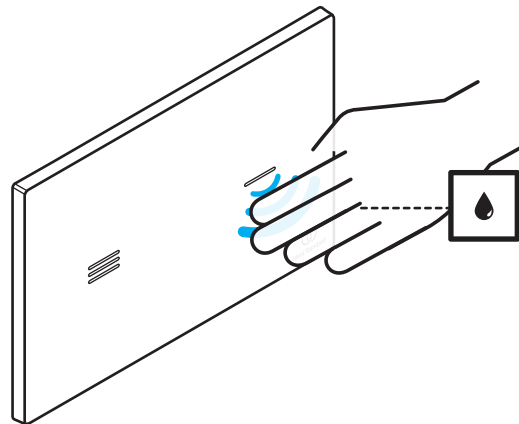
EN
DE
RU

INTERAKTION

1 Bewegen Sie Ihre Hand in die Nähe des Symbols, welches Sie ausführen möchten.

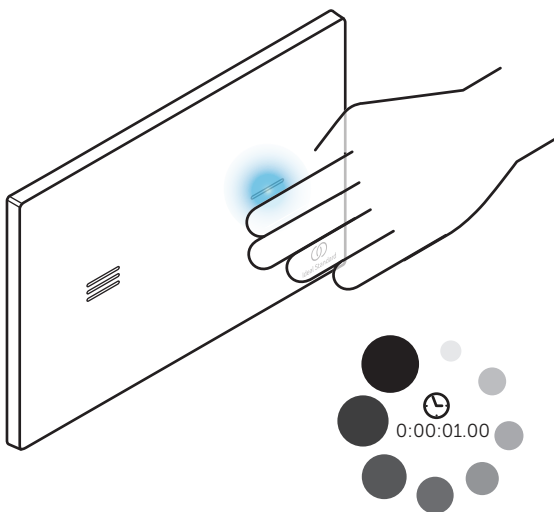


Kleine Spülung
(linke kapazitive Taste)

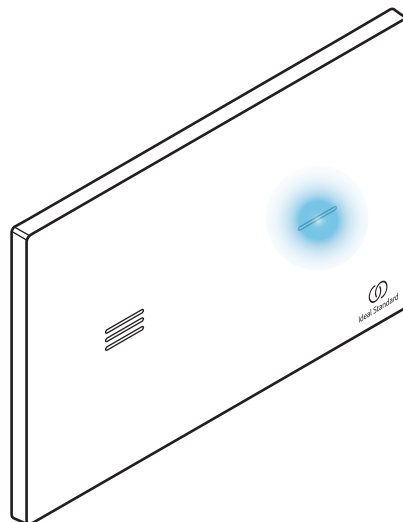


Große Spülung
(rechte kapazitive Taste)

2 Halten Sie so lange bis die LED leuchtet oder die Spülung ausgeführt wird



3 Entferne Deine Hand



10-FUNKTIONEN UND EINSTELLUNGEN



Für Funktionen und Einstellungen der Keramik-Betätigungsplatte siehe Seite 30, um die Betätigungsplatte zu demontieren.

EN
DE
RU

MENÜ NAVIGATION

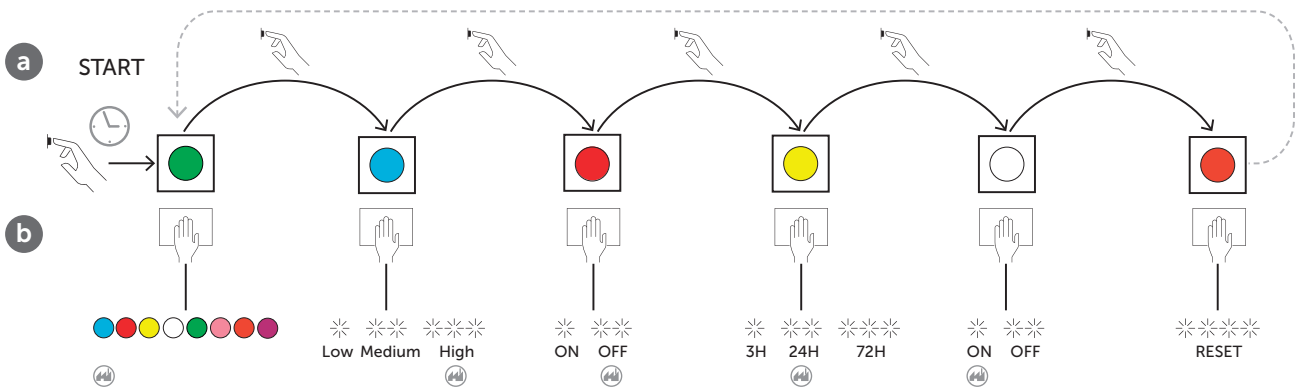
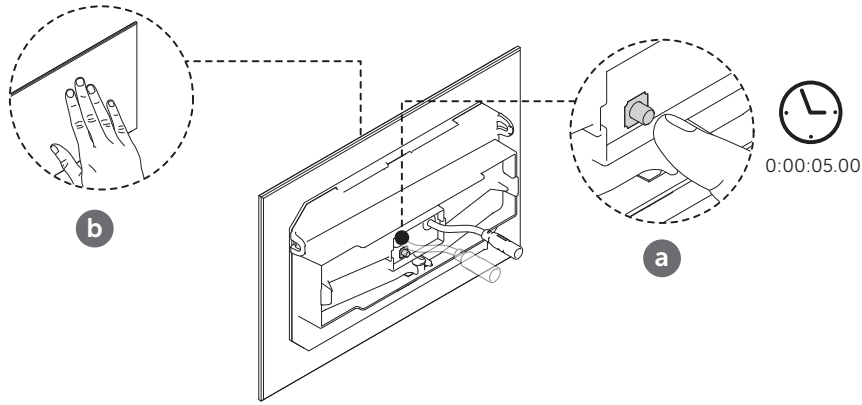
Die Navigation durch die 6 Menüs erfolgt über die Taste auf der Rückseite des Sensors. Um das Menü zu aktivieren, drücken Sie die Taste für 5 Sekunden. Die Beleuchtung beider Sensoren leuchtet auf und die Farbe der LEDs zeigt das aktive Menü an.

FUNKTION	BESCHREIBUNG	VERFÜGBARE EINSTELLUNGEN	WERKSEINSTELLUNGEN
Farbeinstellung der LED Beleuchtung	Folgende Farben können eingestellt werden: Blau, Rot, Gelb, Weiß, Grün, Violett, Orange, Lila	Blau Rot Gelb Weiß Grün Violett Orange Lila	Blau
Sensor – Sensibilitätseinstellung	Mit dem Sensor können Sie die Erkennungsempfindlichkeit in drei Stufen einstellen	Niedrig Mittel Hoch	Hoch
Aktivieren oder Deaktivieren Sie die Pflichtspülung	Der Sensor ermöglicht automatische Spülungen in regelmäßigen Intervallen, wenn keine häufige Nutzung erfolgt	An Aus	Aus
Einstellen der automatischen / hygienischen Spülzeit	Es ist möglich, drei regelmäßige Zeitintervalle für automatische Spülungen zu definieren	3H 24H 72H	24H
Aktivieren oder Deaktivieren Sie die Sensorbeleuchtung	Für größere Energieeinsparungen (oder wenn die Keramik-Betätigungsplatte verwendet wird) ist es möglich, die Sensorbeleuchtung zu deaktivieren	An Aus	An
Werkseinstellungen zurücksetzen	Die Parameter für alle Funktionen werden auf die Werkseinstellungen zurückgesetzt.	Reset	-



NAVIGATIONS MENÜ

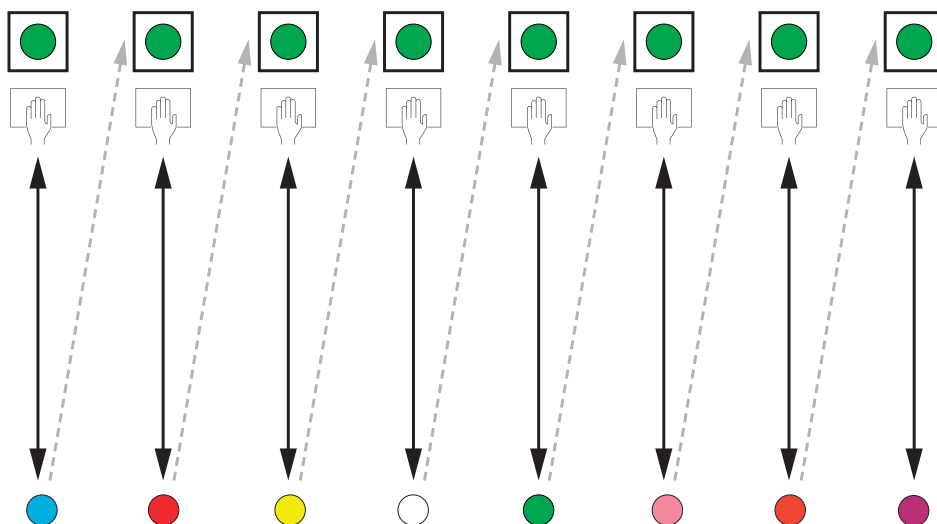
EN
DE
RU



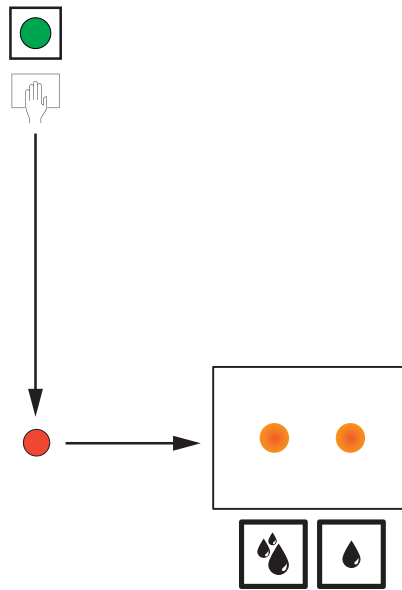
ANPASSUNG EINSTELLUNGEN

Die Navigation und die Einstellungen für jede Funktion werden auf der kapazitiven Vollspültaste (große Menge) vorgenommen.

Nachdem Sie das gewünschte Menü ausgewählt haben, gehen Sie wie folgt vor, um jede der Optionen zu durchlaufen. Wenn Sie sich mit Ihrer Hand dem Auslösungssymbol nähern, wird der erste Menüpunkt angezeigt. Um zu einem anderen Menüpunkt zu wechseln, muss die Hand idem Auslösungssymbol genähert. Überprüfen Sie das Schema unten:



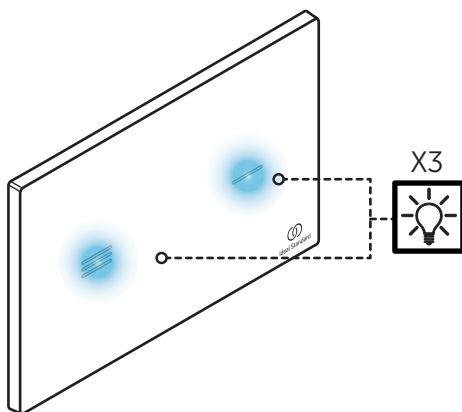
Warte nach dem Einstellen der gewünschten Menüoption und das System nimmt die Auswahl an und kehrt zum Startpunkt zurück Modus. So kannst Du bestätigen:



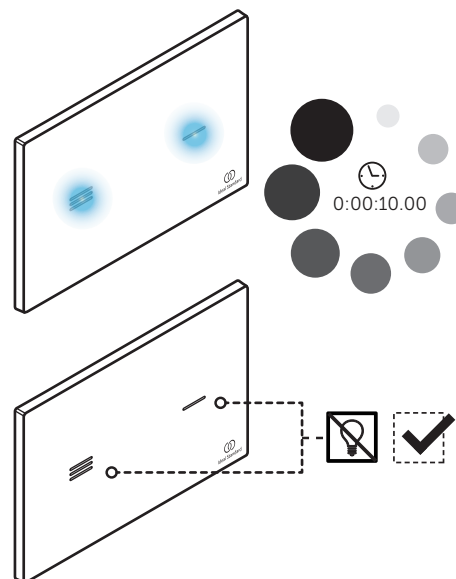
EN
DE
RU

Diese Verfahren sind für alle Menüs gleich.

- 1** Bei jeder durchgeführten Änderung meldet das die Betätigungsplatte / der Sensor mit dem neuen Einstellstatus durch die Anzahl der Blitze (z. B. im Menü wird angezeigt, dass die hohe Empfindlichkeitsstufe ausgewählt wurde, durch drei aufeinanderfolgende blaue Blitze angegeben).



- 2** Um Ihre Änderungen zu bestätigen und das Menü zu verlassen, warten Sie 10 Sekunden, ohne mit dem Sensor zu interagieren. Die Betätigungsplatte ist betriebsbereit, wenn die Lichter ausgehen.

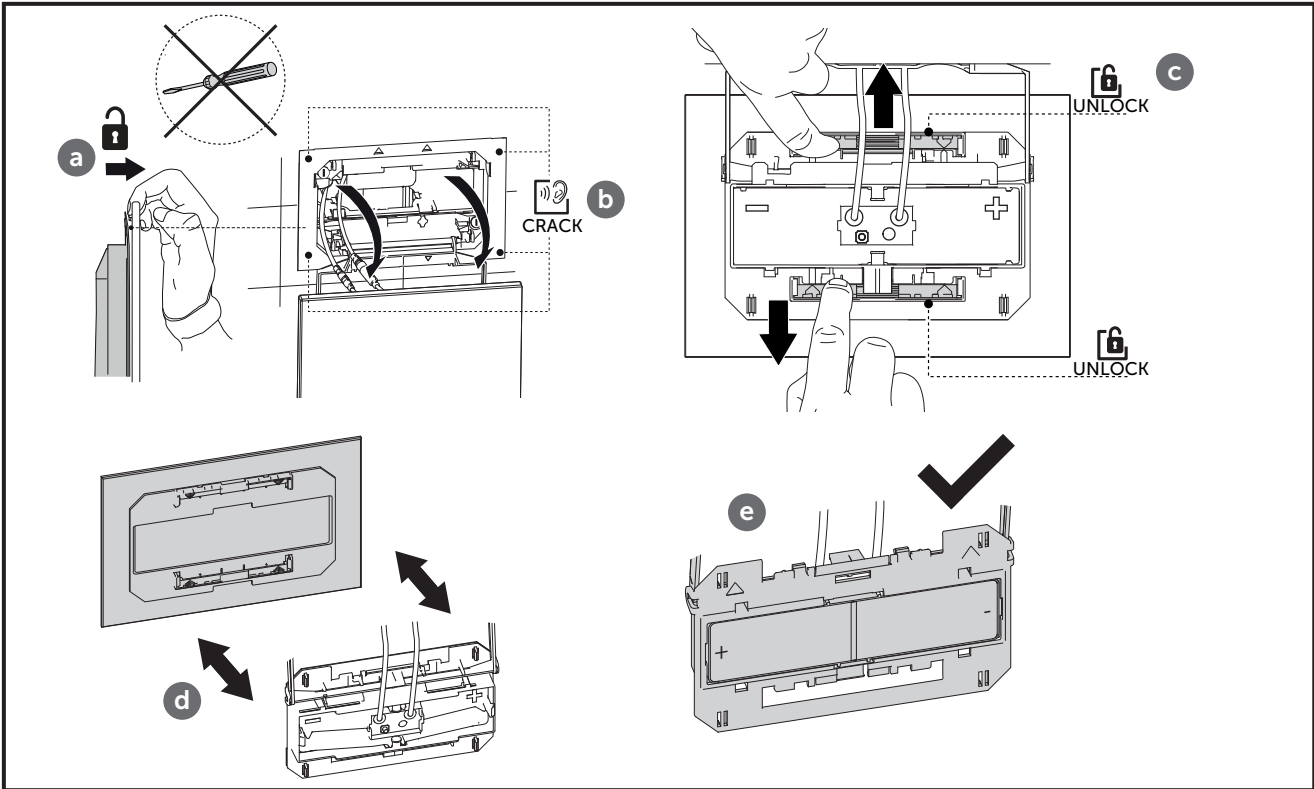


Hinweis: Alle Einstellungen werden im Sensorspeicher gespeichert, auch wenn der Sensor nicht mit Strom versorgt wird oder neu gestartet wird.



ABNAHME DER KERAMIKPLATTE

Um auf die Menüeinstellungen der Keramik-Betätigungsplatte zugreifen zu können, müssen Sie die Betätigungsplatte wie vorgeschrieben demontieren.



EN
DE
RU

11-ENERGIE UND NACHHALTIGKEIT



Wenn der Spülkasten gefüllt wird - wenn Wasser vom Eckventil zum Füllmechanismus fließt - erzeugt der Hydrogenerator elektrischen Strom. Diese Energie wird zur späteren Verwendung in der Batterie gespeichert. Diese Batterie speist wiederum den kapazitiven Sensor für die Benutzerschnittstelle und den Aktuatormechanismus, und die Spülung durchzuführen.

SPÜLUNGEN/TAG	LADUNGEN (2 JAHRE)
0	5
5	4
10	3
15	2
20	1
25	0

Der Hochleistungsakku sorgt für einen mehrmonatigen Systembetrieb auch bei reduziertem Produkteinsatz. Bei häufigerer Nutzung verlängert sich ihre Lebensdauer dank der vom Generator generierten Energie - die überschüssige Energie wird in den Batterien gespeichert.

*Es ist möglich die Batterien über ein mitgeliefertes Ladegerät aufzuladen.

12-FEHLERBEHEBUNG



MALFUNCTION	POSSIBLE CAUSE	PROCEDIMENTO
Betätigungsplatte leuchtet rot nach Spülung	<ul style="list-style-type: none"> • Niedriger Energiestand 	<ul style="list-style-type: none"> • Aufladen der Batterie
Betätigungsplatte leuchtet rot und spült nicht	<ul style="list-style-type: none"> • Sehr niedriger Batteriestand 	<ul style="list-style-type: none"> • Aufladen der Batterie
Häufige schwache Batterie (blinkt rot)	<ul style="list-style-type: none"> • Verstopfter Filter • Fehlerhafter Hydrogenerator 	<ul style="list-style-type: none"> • Überprüfe/Reinige den Filter • Austausch Hydrogenerator
Bei der Interaktion mit der Betätigungsplatte funktioniert die Beleuchtung, es wird jedoch keine Spülung ausgeführt	<ul style="list-style-type: none"> • Software Fehler • Servomotor falsch verbunden 	<ul style="list-style-type: none"> • Reboot System • Prüfe die Verbindung
	<ul style="list-style-type: none"> • Fehlerhafter Servomotor • Leerer Spülkasten 	<ul style="list-style-type: none"> • Tausche den Servomotor • Prüfe das Eckventil • Eventuelle Blockierung beim Füllmechanismus (Einlassventil) prüfen • Auf Wasser im Gitter prüfen
Bei der Interaktion mit der Betätigungsplatte funktioniert die Beleuchtung nicht, sondern es wird gespült	<ul style="list-style-type: none"> • Software Fehler • LED Funktion deaktiviert 	<ul style="list-style-type: none"> • Reboot system • Überprüfen Sie die LED-Funktionseinstellung
	<ul style="list-style-type: none"> • Fehlerhafte Software • Entleerte Batterie 	<ul style="list-style-type: none"> • Restart system • Aufladen Batterie
Bei der Interaktion mit der Betätigungsplatte funktioniert die Beleuchtung nicht und es erfolgt keine Spülung	<ul style="list-style-type: none"> • Fehlverbindungen 	<ul style="list-style-type: none"> • Prüfe die Verbindung mit dem Hydrogenerator
	<ul style="list-style-type: none"> • Fehlerhafter Hydrogenerator • Schlechte Kalibrierung 	<ul style="list-style-type: none"> • Austausch Hydrogenerator • Reboot system
	<ul style="list-style-type: none"> • Fehlerhafter Sensor 	<ul style="list-style-type: none"> • Austausch Sensor/Betätigungsplatte
Bei der Interaktion mit der Betätigungsplatte werden zwei Blitze in beiden Sensoren angezeigt und keine Spülung durchgeführt	<ul style="list-style-type: none"> • Reinigungsmodus wegen schlechter Kalibrierung aktiviert 	<ul style="list-style-type: none"> • Reboot system
	<ul style="list-style-type: none"> • Übermäßige Kondensation in der Betätigungsplatte 	<ul style="list-style-type: none"> • Prüfen / Reinigen Sie das Innere der Betätigungsplatte
Die Reinigung der WC Keramik ist nicht effektiv	<ul style="list-style-type: none"> • Spül-Volumen sind möglicherweise falsch eingestellt 	<ul style="list-style-type: none"> • Überprüfen Sie die Konfiguration des Spülmechanismus (Auslassventil) • Überprüfen Sie, ob der Füllmechanismus (Einlassventil) korrekt funktioniert
	<ul style="list-style-type: none"> • Fehlerhafte Software • Fehlerhafte Gummidichtung 	<ul style="list-style-type: none"> • Reboot system • Austausch Gummidichtung
Wasser läuft kontinuierlich in die WC Keramik	<ul style="list-style-type: none"> • Fehlerhaftes Spülsystem • Fehlerhaftes Füllventil 	<ul style="list-style-type: none"> • Austausch Auslaufventil • Austausch Füllventil
	<ul style="list-style-type: none"> • Automatische Hygiene Spülung aktiviert 	<ul style="list-style-type: none"> • Überprüfen Sie die automatische automatische Spülfunktion
Unprovokede Spülung	<ul style="list-style-type: none"> • Schlechte Kalibrierung 	<ul style="list-style-type: none"> • Reboot system
	<ul style="list-style-type: none"> • Fehlerhafte Software 	<ul style="list-style-type: none"> • Reboot system
Falsche Spülungen	<ul style="list-style-type: none"> • Schmutzige oder nasse Betätigungsplatte 	<ul style="list-style-type: none"> • Überprüfe/Reinige das Innere der Betätigungsplatte
	<ul style="list-style-type: none"> • Schlechte Kalibrierung 	<ul style="list-style-type: none"> • Reboot system
Ladegerät zeigt kein grünes Licht an	<ul style="list-style-type: none"> • Fehlerhaftes Ladegerät • Fehlerhafter Hydrogenerator 	<ul style="list-style-type: none"> • Austausch Hydrogenerator • Austausch Hydrogenerator
	<ul style="list-style-type: none"> • Verstopfter Filter 	<ul style="list-style-type: none"> • Überprüfe/Reinige den Hydrogenerator Filter
Lange Füllzeiten	<ul style="list-style-type: none"> • Niedriger Wasserdruck 	<ul style="list-style-type: none"> • Durchflussregler vom Füllmechanismus (Einlassventil) entfernen

12-FEHLERBEHEBUNG



MALFUNCTION	POSSIBLE CAUSE	PROCEDIMENTO
Bei der Interaktion mit der Betätigungsplatte funktioniert die Beleuchtung, es wird jedoch keine Spülung ausgeführt	• Software Fehler	• Reboot System
	• Servomotor falsch verbunden	• Prüfe die Verbindung
	• Fehlerhafter Servomotor	• Tausche den Servomotor
	• Leerer Spülkasten	• Prüfe das Eckventil • Eventuelle Blockierung beim Füllmechanismus (Einlassventil) prüfen • Auf Wasser im Gitter prüfen
Bei der Interaktion mit der Betätigungsplatte funktioniert die Beleuchtung nicht, sondern es wird gespült	• Software Fehler	• Reboot system
	• LED Funktion deaktiviert	• Überprüfen Sie die LED-Funktionseinstellung
	• Fehlerhafte Software	• Restart system
	• Stromausfall	• Überprüfen Sie die Stromversorgung
Bei der Interaktion mit der Betätigungsplatte funktioniert die Beleuchtung nicht und es erfolgt keine Spülung	• Fehlverbindungen	• Überprüfen Sie die Verbindungen zum Netzteil
	• Fehlerhaftes Netzteil	• Netzteil ersetzen
	• Schlechte Kalibrierung	• Reboot system
	• Fehlerhafter Sensor	• Austausch Sensor/Betätigungsplatte
	• Reinigungsmodus wegen schlechter Kalibrierung aktiviert	• Reboot system
Bei der Interaktion mit der Betätigungsplatte werden zwei Blitze in beiden Sensoren angezeigt und keine Spülung durchgeführt	• Übermäßige Kondensation in der Betätigungsplatte	• Prüfen / Reinigen Sie das Innere der Betätigungsplatte
		• Überprüfen Sie die Konfiguration des Spülmechanismus (Auslassventil)
Die Reinigung der WC Keramik ist nicht effektiv	• Spül-Volumen sind möglicherweise falsch eingestellt	• Überprüfen Sie, ob der Füllmechanismus (Einlassventil) korrekt funktioniert
		• Reboot system
Wasser läuft kontinuierlich in die WC Keramik	• Fehlerhafte Software	• Reboot system
	• Fehlerhafte Gummidichtung	• Austausch Gummidichtung
	• Fehlerhaftes Spülsystem	• Austausch Auslaufventil
	• Fehlerhaftes Füllventil	• Austausch Füllventil
	• Desynchronisierter servomotor	• Manuelle kalibrierung
	• Falsche spülungen	• Manuelle kalibrierung
Unprovozierte Spülung	• Automatische Hygiene Spülung aktiviert	• Überprüfen Sie die automatische automatische Spülfunktion
	• Schlechte Kalibrierung	• Reboot system
	• Fehlerhafte Software	• Reboot system
Falsche Spülungen	• Schmutzige oder nasse Betätigungsplatte	•Überprüfe/Reinige das Innere der Betätigungsplatte
	• Schlechte Kalibrierung	• Reboot system

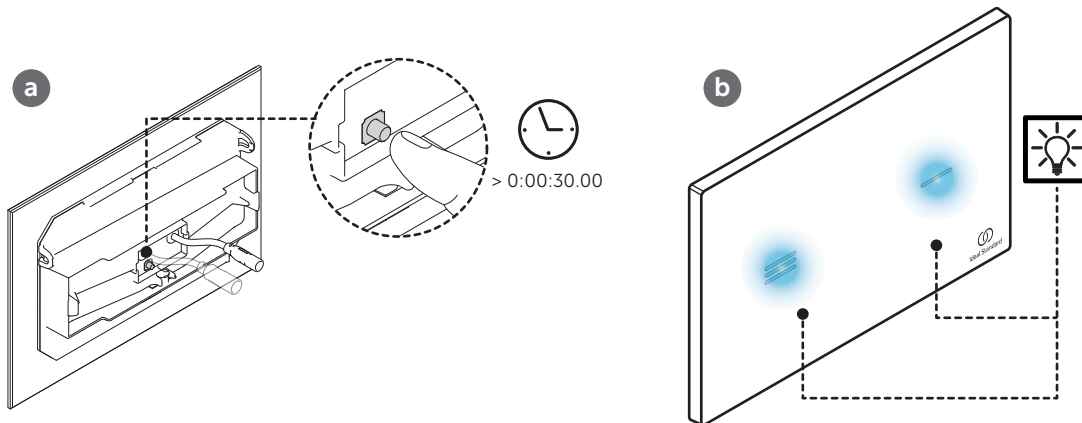
EN
DE
RU



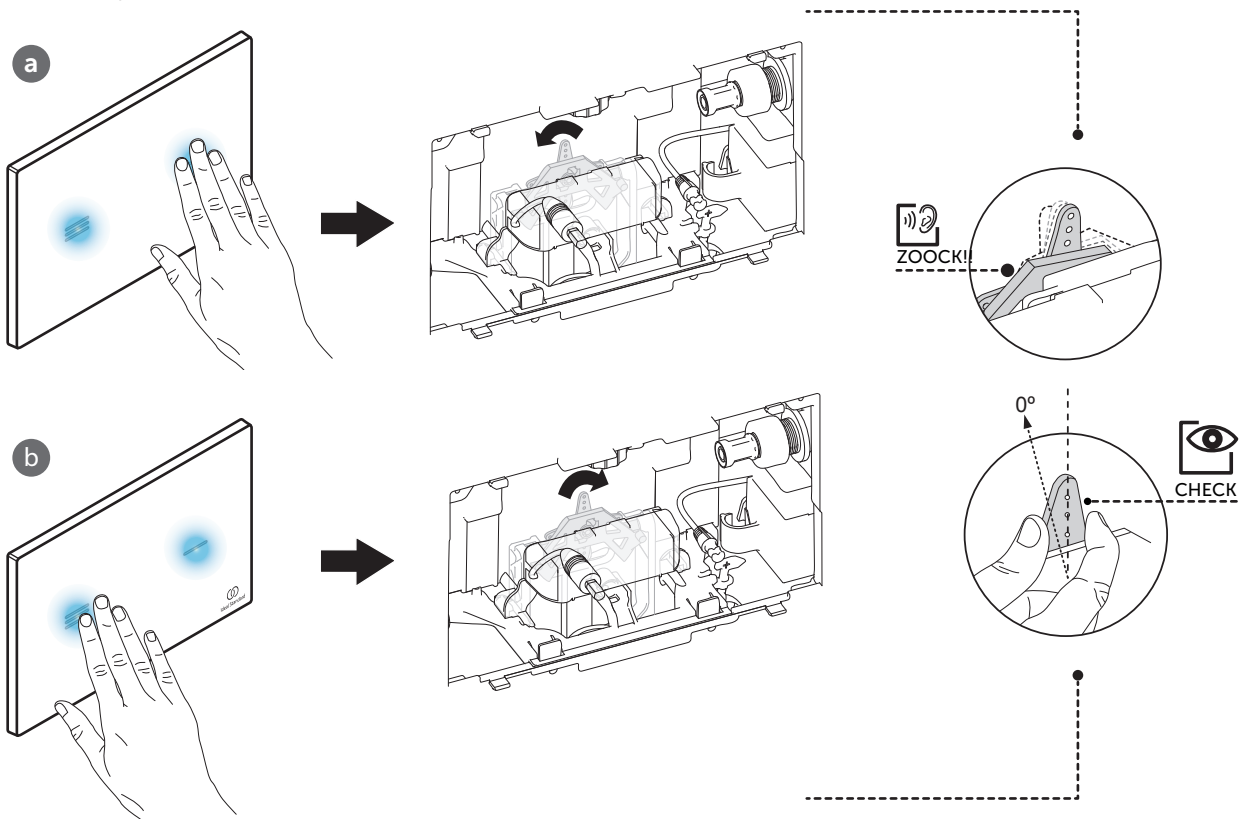
MANUELLE KALIBRIERUNG

EN
DE
RU

- 1** Um den Servomotor zu kalibrieren, müssen Sie die Taste an der Rückseite des Sensors drücken. Die Taste sollte 30 Sekunden oder länger (a) gedrückt werden, bis die beiden blauen Spülungen (b) aufleuchten.



- 2** Nachdem das blaue Licht angezeigt wird, können Sie die Kalibrierung durchführen, indem Sie Ihre Hand über eine der kapazitiven Tasten (kleine oder große Spülung) halten. Wenn Sie die Hand über den halbspülenden kapazitiven Knopf (a) positionieren, bewegt sich der Servomotor nach links. Wenn Sie Ihre Hand über den kapazitiven Vollspültaster (b) halten, bewegt sich der Servomotor nach rechts.



13-PFLEGE UND WARTUNG

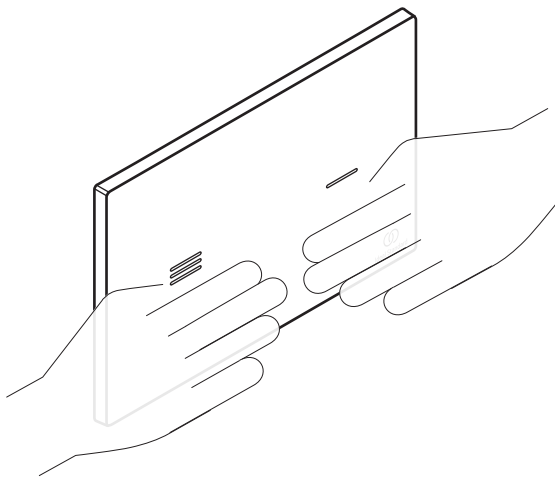
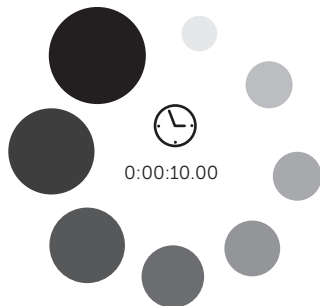


REINIGUNGSMODUS

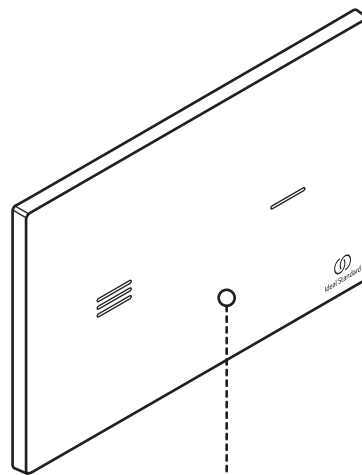
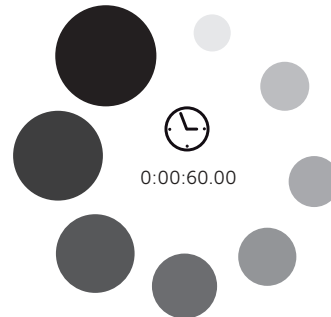
Die Betätigungsplatte hat einen Reinigungsmodus, der es dem Benutzer ermöglicht, ihn zu reinigen, ohne unerwünschte Spülungen zu verursachen.

EN
DE
RU

- 1** Im Gegensatz zu den anderen Funktionen kann diese direkt aktiviert werden, ohne die Betätigungsplatte zu demontieren, wobei beide Sensoren gleichzeitig für 10 Sekunden in Wechselwirkung stehen.



- 2** Nach Ablauf der Reinigungszeit - 60 Sekunden - kehrt die Betätigungsplatte in den normalen Betriebsmodus zurück.





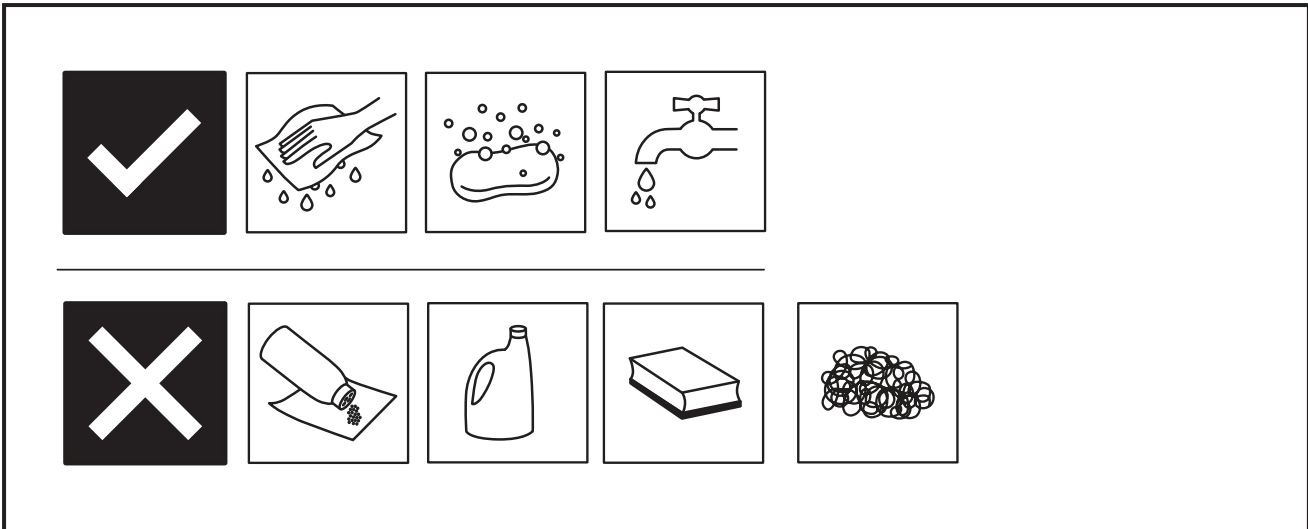
REINIGUNG DER BETÄTIGUNGSPLATTE

Die Oberfläche ist einfach zu reinigen und zu pflegen. Verwenden Sie ein weiches Tuch und Seife sowie Wasserlösung für die regelmäßige Pflege. Mit einem trockenen Tuch abwischen.

Vermeiden Sie die Verwendung von Schleifmitteln oder Lösungsmitteln, die die Oberfläche beschädigen.

Schäden die durch unsachgemäße Behandlung durch den Benutzer entstehen, sind nicht von unserer Garantie abgedeckt.

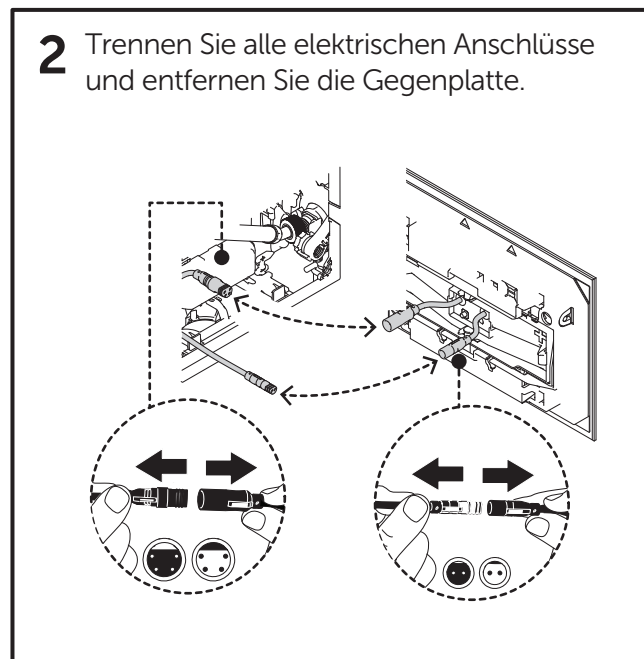
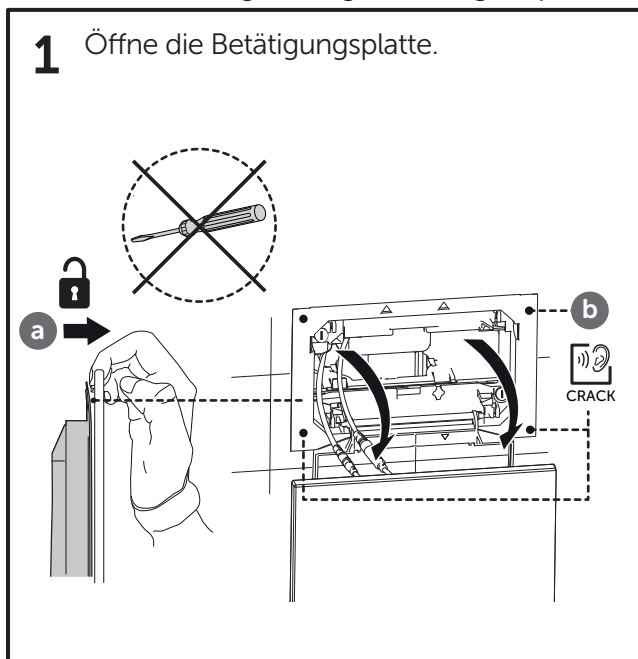
EN
DE
RU



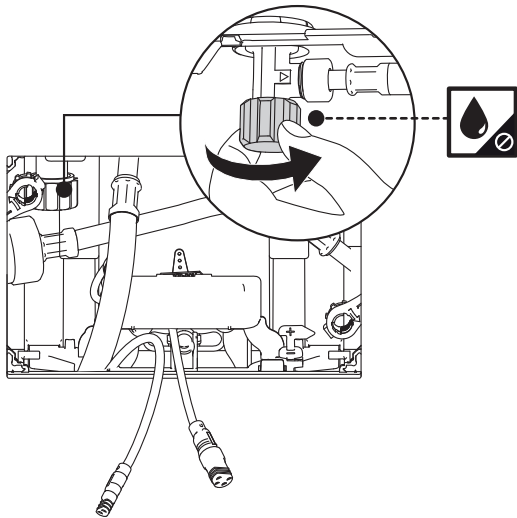
FILTERREINIGUNG

Zum Schutz des Hydrogenerators und des Füllmechanismus (Einlassventil) enthält das Hydroboost-System einen kleinen Partikelfilter im Wasserkreislauf. Bei der Installation in Gebieten mit verschmutztem Wasser / neuen Gebäuden besteht die Möglichkeit, dass sich im Laufe der Zeit Ablagerungen ansammeln und die Effizienz des Kreislaufs beeinträchtigt wird.

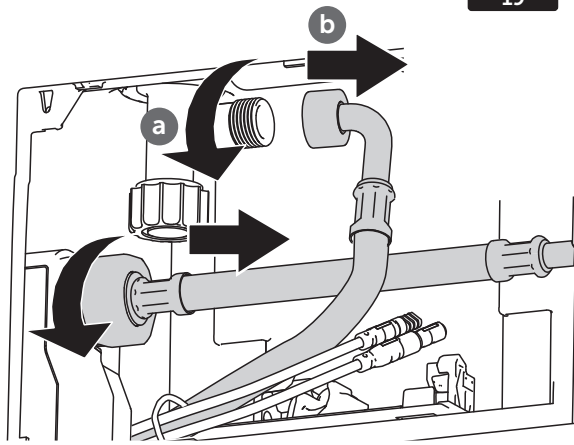
Daher wird eine regelmäßige Wartung empfohlen.



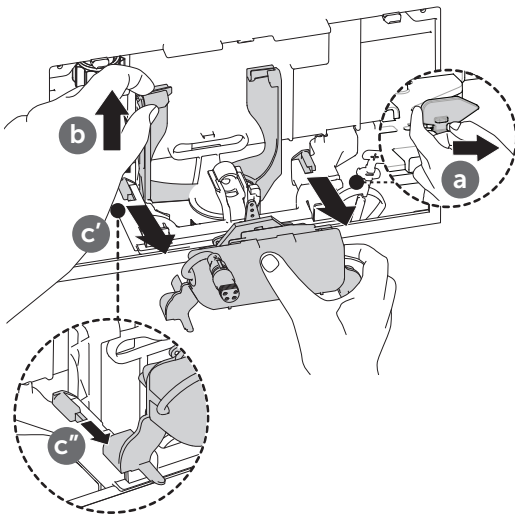
3 SchlieÙe das Eckventil.



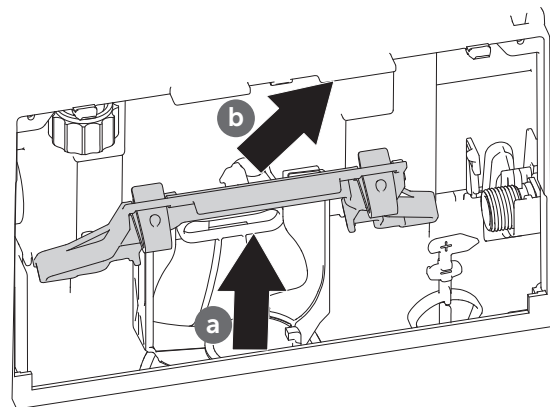
4 Trennen Sie den flexiblen Schlauch.



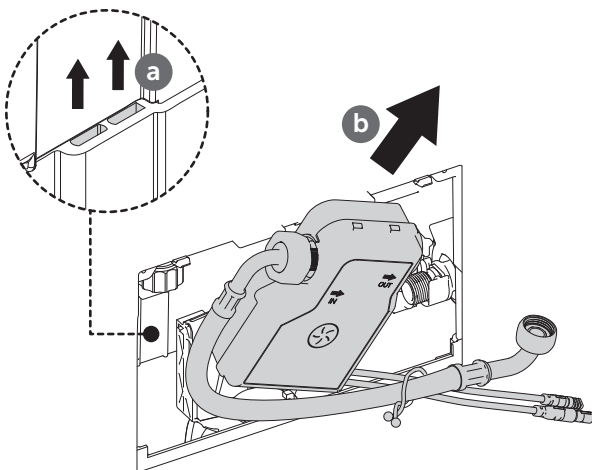
5 Entferne den Servomotor.



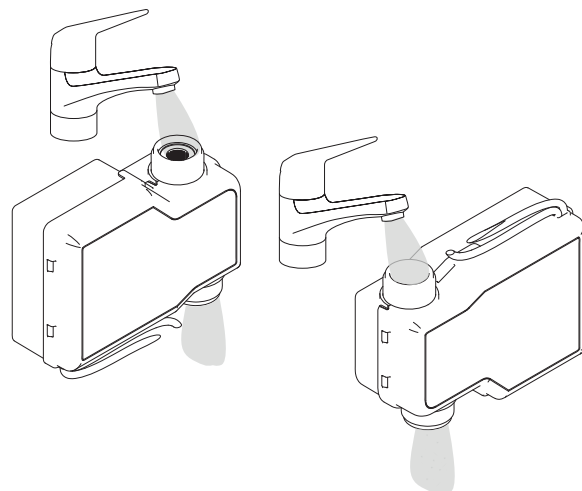
6 Entfernen Sie den Hebellager



7 Entferne den Hydrogenerator



8 Gründlich mit Wasser auf beiden Seiten waschen



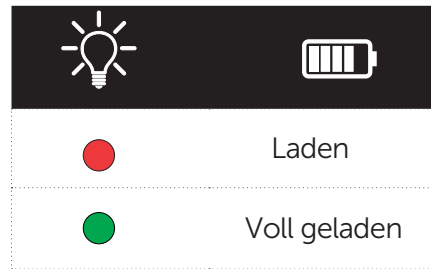
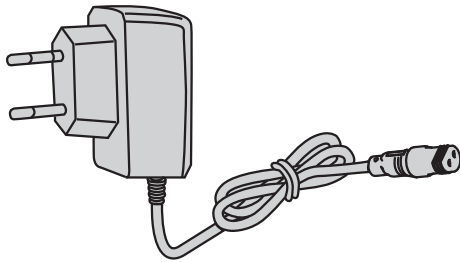
EN
DE
RU



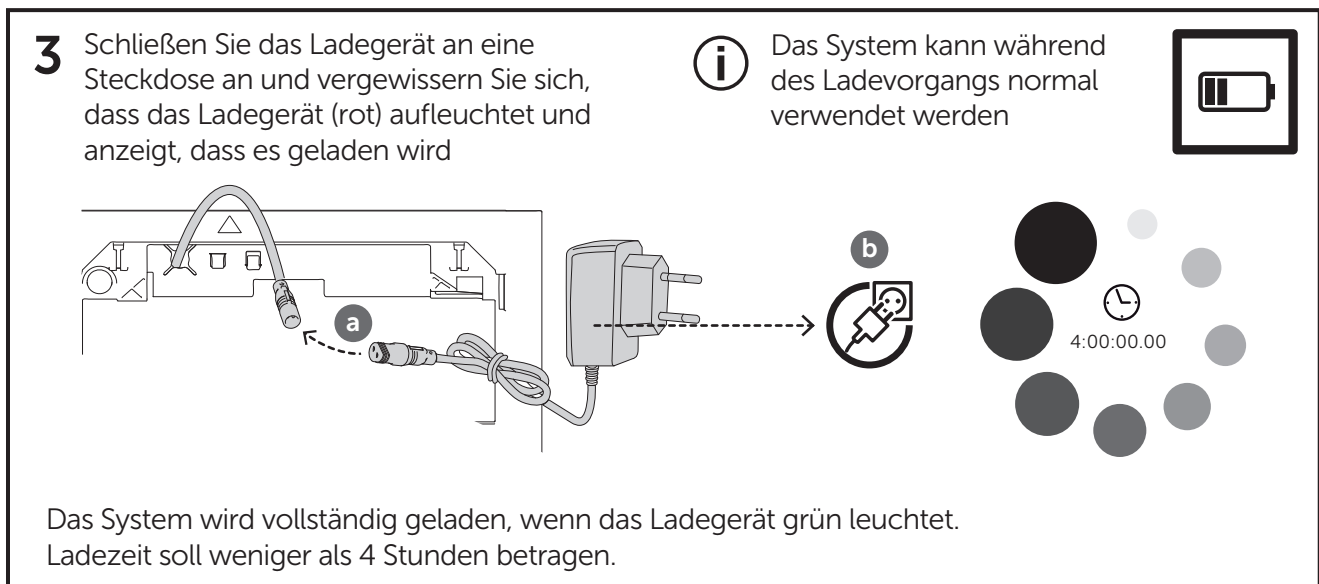
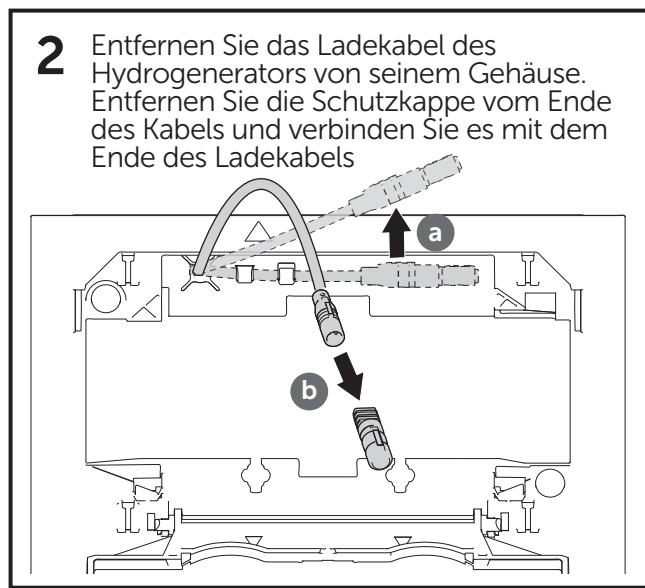
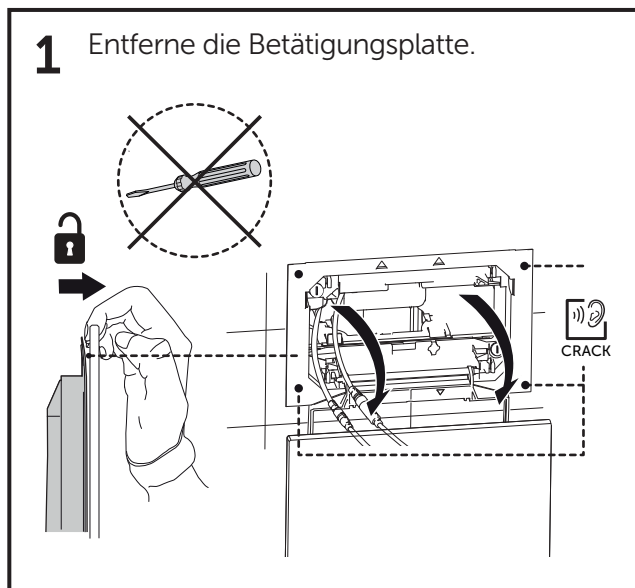
BATTERIE LADEN

Das Hydroboost-System besteht aus einem Hydrogenerator und einem Batteriepack. Daher kann das Energieniveau in den Batterien bei seltenem Gebrauch niedrig sein (der Hydrogenerator erzeugt nur Energie und lädt die Batterie, wenn Spülvorgänge durchgeführt werden) und / oder durch den natürlichen Abfall der Batterien im Laufe der Zeit. In beiden Fällen muss das System möglicherweise mit dem dafür vorgesehenen Ladegerät geladen werden.

EN
DE
RU

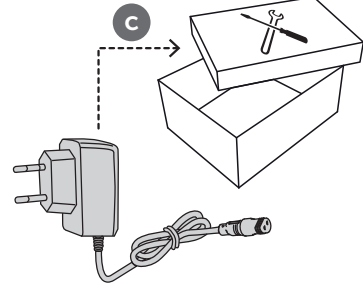
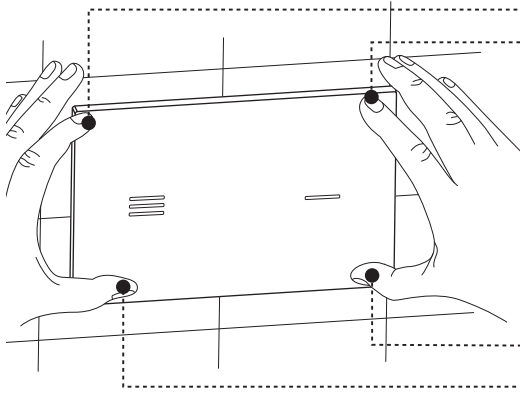


Befolgen Sie dazu das Prozedere.



Das System wird vollständig geladen, wenn das Ladegerät grün leuchtet. Ladezeit soll weniger als 4 Stunden betragen.

4 Nach Abschluss muss die Sicherheitskappe wieder am Ende des Kabels angebracht werden und das Kabel an der Gegenplatte angebracht werden. Die Betätigungsplatte sollte wieder in ihre Betriebsstellung gebracht und das Ladegerät für den zukünftigen Gebrauch aufbewahrt werden.



EN
DE
RU

1-ЦЕЛЕВАЯ АУДИТОРИЯ

Данные инструкции по сборке предназначены для монтажных компаний, специализирующихся на канализационных системах с электрическими деталями. Изделие, описанное в настоящей инструкции, должно устанавливаться только уполномоченными монтажными компаниями в области канализационных систем.

2-ОБЯЗАТЕЛЬНО ДЛЯ ОЗНАКОМЛЕНИЯ

Монтажная компания обязана прочитать, понять и соблюдать инструкции по сборке и, в частности, раздел о правилах безопасности. Если у Вас есть какие-либо вопросы, обратитесь к сотрудникам компании «Ideal Standard».

EN
DE
RU

3-БЕЗОПАСНОСТЬ И СИМВОЛЫ

ЗНАЧЕНИЕ ПАМЯТОК ПО БЕЗОПАСНОМУ ИСПОЛЬЗОВАНИЮ И ПРАВИЛ ТЕХНИКИ БЕЗОПАСНОСТИ

ПАМЯТКИ ПО БЕЗОПАСНОМУ ИСПОЛЬЗОВАНИЮ

Пиктограммы и знаки, относящиеся к инструкциям по технике безопасности, мерам предосторожности и предупреждениям в этих инструкциях по установке, имеют следующие значения:



Предупреждение! Возможна ситуация повреждения, в результате которой может произойти повреждение изделия или что-либо вокруг него.

Важно! Инструкции по применению продукта и другая полезная информация предназначены для использования последнего в соответствии со стандартами.



Следует проверить/обратить внимание на влажность



Опасность электрического напряжения



Система с гидрогенератором - Smartforce



Система электропитания - AC

4-ПЕРЕД УСТАНОВКОЙ

Перед началом сборки внимательно прочитайте и ознакомьтесь с инструкциями по сборке. Изделие необходимо собрать, установить и подключить только в соответствии с данными инструкциями.

Перед использованием системы подтвердите совместимость установки на сайте: www.idealstandard.com.

При планировании и установке санитарно-технического оборудования необходимо соблюдать местные, национальные и международные нормы и стандарты.

Проверьте содержимое изделия до начала сборки, чтобы убедиться, что оно полностью укомплектовано.

Запрещено устанавливать неукомплектованное изделие или изделие с видимыми повреждениями или неисправностями. ОЛИ не несет ответственность за повреждения, причиненные вследствие неправильной транспортировки или на складах временного хранения.

EN
DE
RU

5-УСЛОВИЯ СБОРКИ НА МЕСТЕ



Давление водопроводной сети
0,5 бар при макс. 10 бар



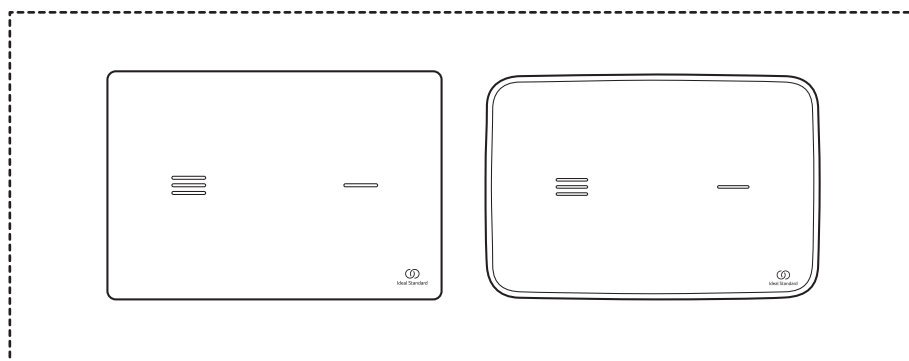
Давление водопроводной сети 0,5
бар при макс. 10 бар



Напряжение сети составляет
110-240 В переменного тока/50-
60 Гц с общим переключателем
для всех полюсов, подключенных
к электропитанию и контактными
отверстием 3 мм.

6-ИЗДЕЛИЕ

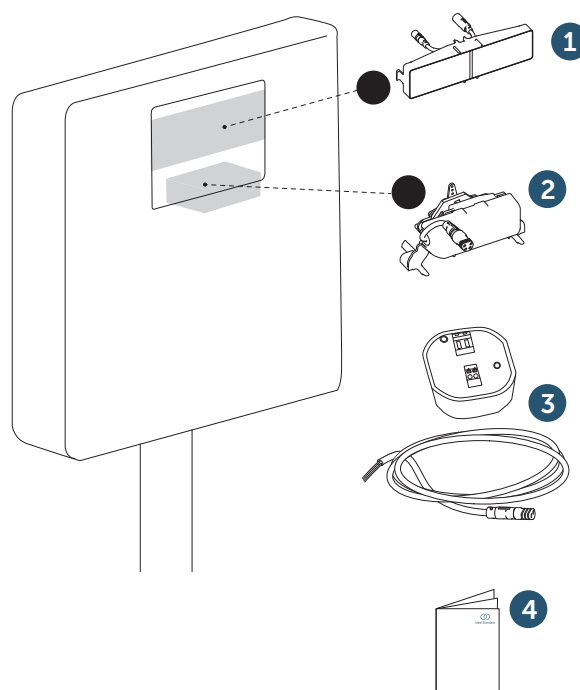
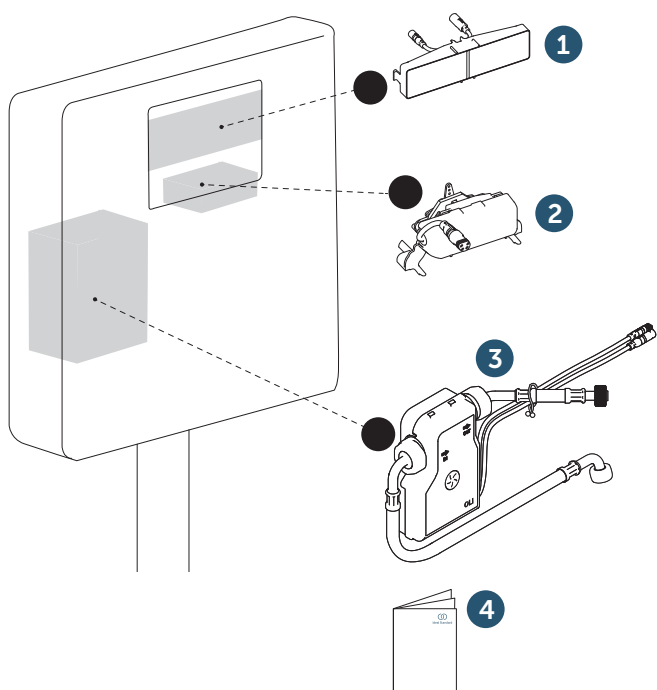
NO TOUCH 



EN
DE
RU

Smartforce 

 AC - Система электропитания



№	ОПИСАНИЕ
1	ЕМКОСТНЫЙ ДАТЧИК
2	СЕРВОПРИВОД
3	ГИДРОГЕНЕРАТОР
4	ИНСТРУКЦИИ ПО СБОРКЕ

№	ОПИСАНИЕ
1	ЕМКОСТНЫЙ ДАТЧИК
2	СЕРВОПРИВОД
3	ТРАНСФОРМАТОР
4	ИНСТРУКЦИИ ПО СБОРКЕ

7-ТЕХНИЧЕСКИЕ ХАРАКТЕРИСТИКИ



	SMARTFORCE
РАБОЧЕЕ НАПРЯЖЕНИЕ	6.4V DC
ТИП АККУМУЛЯТОРНОЙ БАТАРЕИ	LiFePO ₄
МОЩНОСТЬ АККУМУЛЯТОРНОЙ БАТАРЕИ	3000mAh
РАБОЧЕЕ ДАВЛЕНИЕ ВОДЫ	0.5 - 10 BAR

	СИСТЕМА ЭЛЕКТРОПИТАНИЯ
НОМИНАЛЬНОЕ НАПРЯЖЕНИЕ	110-240V AC
СЕТЕВОЕ НАПРЯЖЕНИЕ	50-60HZ
ТИП ПОДКЛЮЧЕНИЯ К ЭНЕРГОСЕТИ	BORNE KRE
РАБОЧЕЕ ДАВЛЕНИЕ ВОДЫ	0.5 - 10 BAR

EN
DE
RU



- Бесконтактная электронная система смыва
- Сенсорный датчик для системы двойного смыва
- Для установки панелей слива
- Степень защищенности IP68
- Настраиваемое светодиодное освещение
- Настраиваемый гигиенический смыв

8-ПЕРВОЕ ИСПОЛЬЗОВАНИЕ



ПЕРЕД ЛЮБЫМ ИСПОЛЬЗОВАНИЕМ

Для безопасности и долговечности системы, батарея гидрогенератора заряжена только частично. Для оптимальной работы рекомендуется использовать полный заряд гидрогенератора. Перед использованием его можно зарядить с помощью прилагаемого зарядного устройства (См. «Зарядка батареи» в разделе технического обслуживания).

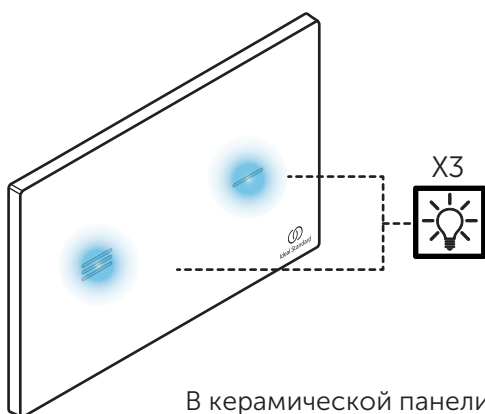


КАЛИБРОВКА

Для обеспечения правильной работы панели смыва в различных условиях – температуры и влажности – датчик оснащен функцией (процедурой) автоматической калибровки.

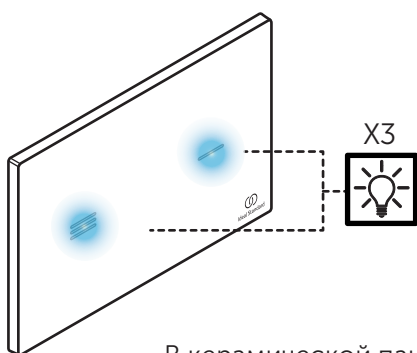
EN
DE
RU

- 1** Как только датчик будет подключен к источнику питания, он подтвердит наличие энергии посредством трех последовательных вспышек.



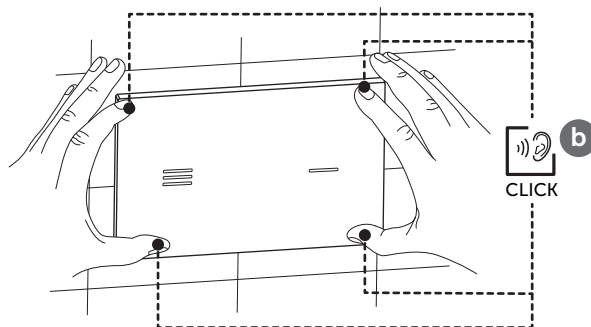
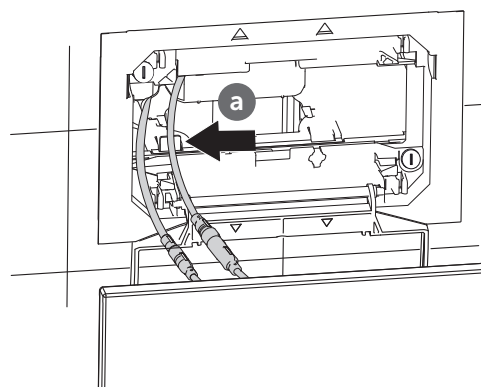
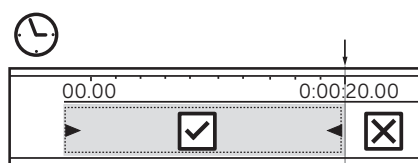
В керамической панели смыва отсутствует обратная связь (вспышки не видны в керамической панели смыва).

- 3** По истечении периода простоя, процедура калибровки запускается автоматически, а завершение снова сообщается тремя последовательными вспышками. Система готова к использованию.



В керамической панели смыва отсутствует обратная связь (вспышки не видны в керамической панели смыва).

- 2** Пользователь/установщик должен завершить установку и поместить систему в её конечное рабочее положение в течение 20 секунд.



Система «Click»



Примечание: Для правильной работы изделия калибровка должна выполняться с помощью датчика/панели смыва в его конечном рабочем положении. В противном случае изделие может не обнаруживать пользователя или вызвать неправильные или лишние смывы. При возникновении какого-либо из этих признаков выключите систему и повторите данную процедуру снова.

9-ПРИНЦИП ДЕЙСТВИЯ

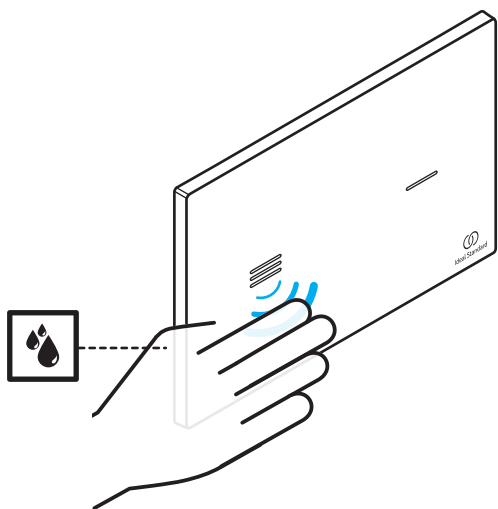


СРАБАТЫВАНИЕ СИСТЕМЫ

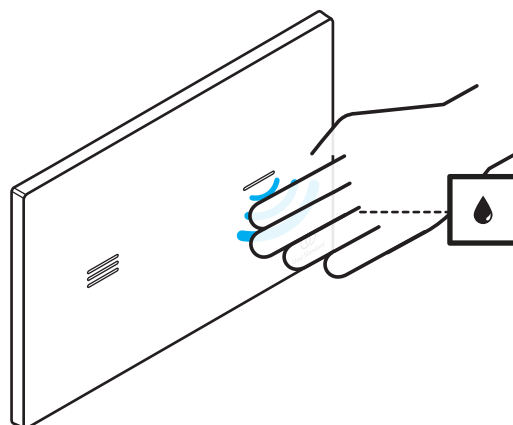
Выполнение смывов без прикосновения достигается посредством электронной системы, состоящей из емкостных датчиков, которые реагируют на команды пользователя. Обнаружение происходит в 30 мм от панели смыва

EN
DE
RU

1 Поднесите свою руку ближе к символу смыва, который Вы хотите выполнить.

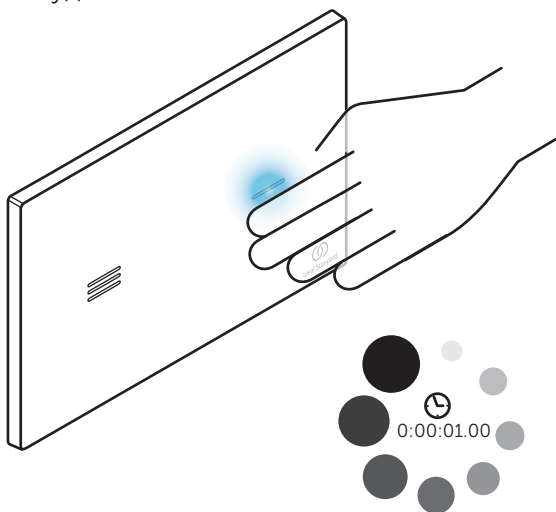


Больший объем сливаемой воды
с левой стороны

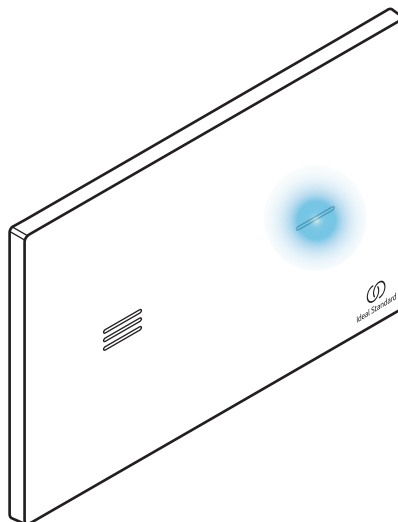


Меньший объем сливаемой воды :
с правой стороны

2 Оставайтесь в том же положении до тех пор, пока не загорится светодиод или не будет выполнен смыв.



3 Уберите руку



10-ФУНКЦИИ И НАСТРОЙКИ



Для функций и настроек в керамической панели слива, см. страницу 48, чтобы разобрать панель слива.

НАВИГАЦИОННОЕ МЕНЮ

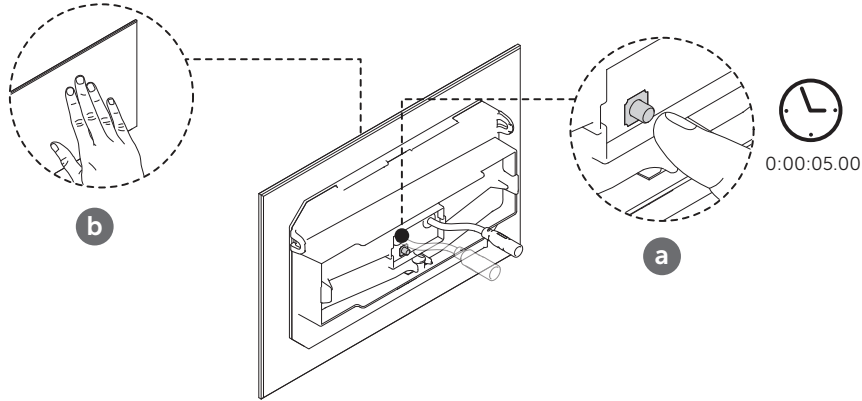
Навигация по меню осуществляется с помощью кнопки на задней части датчика. Чтобы активировать меню, удерживайте кнопку в течение 5 секунд. Подсветка обоих датчиков загорится, и цвет светодиодов отобразит активное меню.

EN
DE
RU

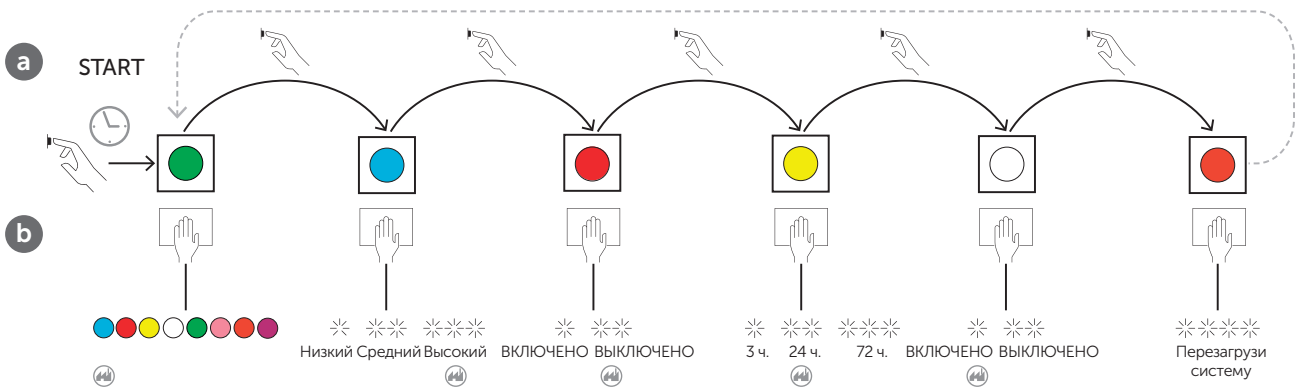
ФУНКЦИЯ	ОПИСАНИЕ	ДОСТУПНЫЕ НАСТРОЙКИ	ЗАВОДСКИЕ НАСТРОЙКИ
Настройка цвета светодиодов	Можно настроить следующие цвета	синий красный желтый белый зеленый фиолетовый оранжевый пурпурный	синий
Настройка чувствительности датчика	Датчик позволяет настроить чувствительность обнаружения на трех уровнях	Низкий Средний Высокий	Высокий
Включение или отключение функции смыва	Датчик позволяет выполнять автоматические смывы с равными интервалами при нечастом использовании.	ВКЛЮЧЕНО ВЫКЛЮЧЕНО	ВЫКЛЮЧЕНО
Установка времени автоматического/гигиенического смыва	Можно задать три равных интервала времени между автоматическими смывами:	3 ч. 24 ч. 72 ч.	24 ч.
Включение или отключение освещения датчика	Для большей экономии энергии (или при использовании керамической панели смыва) можно отключить подсветку датчика.	ВКЛЮЧЕНО ВЫКЛЮЧЕНО	ВКЛЮЧЕНО
Восстановление заводских настроек	Параметры все функций восстанавливаются в соответствии с заводскими настройками.	Перезагрузить систему	-



НАВИГАЦИОННЫЙ ПОТОК МЕЖДУ МЕНЮ

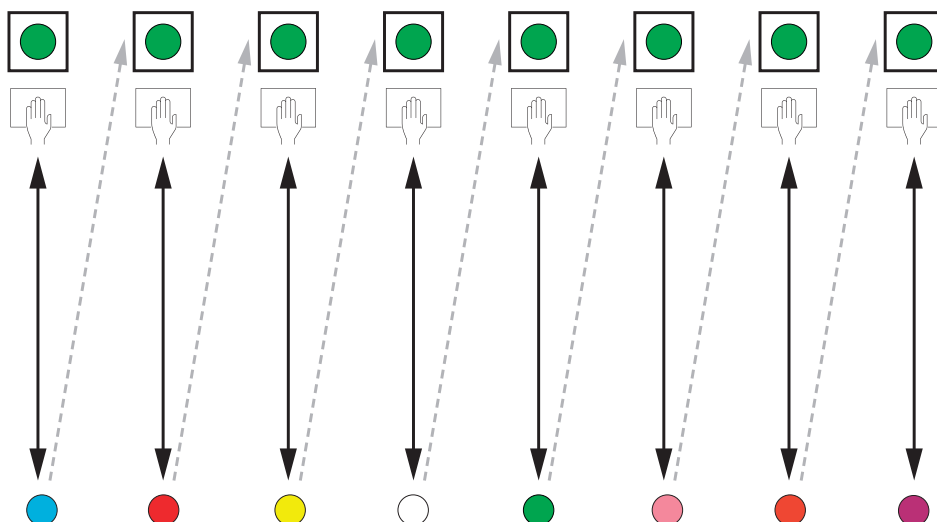


EN
DE
RU

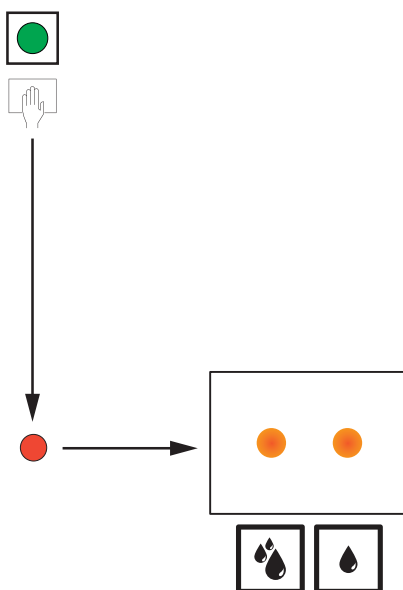


НАСТРОЙКА ПАРАМЕТРОВ

Определение навигации и настроек каждой функции выполняется на кнопке полного смыва. Выбрав нужное вам меню, чтобы посмотреть каждый вариант этого меню, вам нужно приблизить руку к символу разряда (слива). Если вы хотите перейти на другой вариант меню, вам всегда нужно приблизить руку к символу разряда. Проверьте схему ниже:



После установки нужного вам варианта подождите, и система примет ваш вариант и вернется в режим разгрузки. Как вы можете проверить ниже:



EN
DE
RU

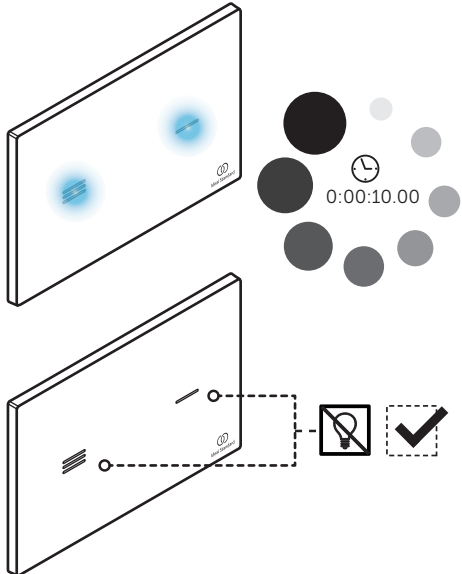
Эти процедуры одинаковы для всех меню.

1 С каждым изменением панель смыва/ датчик сообщает о новом статусе настройки с помощью ряда вспышек (например, в синем меню  указанием того, что выбран высокий уровень чувствительности, является три последовательные синие вспышки).



The diagram shows a perspective view of a rectangular panel with three blue horizontal lines representing flashes. A dashed line connects one of these lines to a lightbulb icon with 'X3' next to it, indicating that three flashes occur.

2 Чтобы подтвердить свои изменения и выйти из меню, подождите 10 секунд, не взаимодействуя с датчиком.



The diagram shows two panels. The top panel has a 10-second timer (0:00:10.00) and a lightbulb icon with a diagonal line through it, indicating that interaction is disabled. The bottom panel shows a checkmark icon, indicating that the changes have been confirmed.

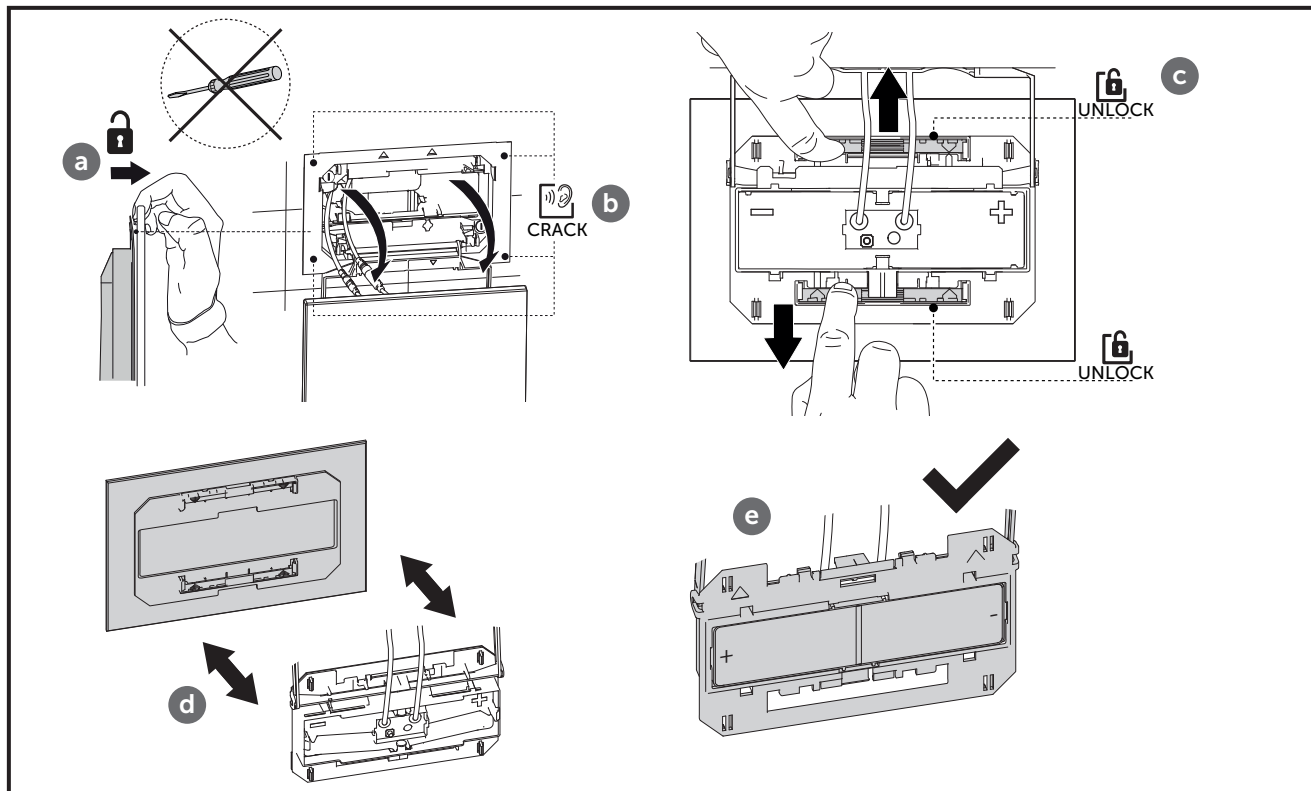


Примечание: Все настройки сохраняются в памяти датчика, даже когда датчик не работает или перезапускается.



РАЗБОРКА КЕРАМИЧЕСКОЙ ПАНЕЛИ СМЫВА

Для доступа к настройкам меню на керамической панели смыва необходимо разобрать панель смыва в соответствии с инструкциями.



EN
DE
RU

11-ЭНЕРГИЯ И ДОЛГОВЕЧНОСТЬ



Когда бак заполняется, гидрогенератор производит электрический ток. Эта энергия хранится в батарее для последующего использования. Данная батарея по очереди питает емкостный датчик для пользовательского интерфейса и механизм привода для осуществления смывов.

КОЛИЧЕСТВО СМЫВОВ В ДЕНЬ	ЗАРЯДКА (2 ГОДА)
0	5
5	4
10	3
15	2
20	1
25	0

Комплект батарей с высокой мощностью обеспечивает работу системы в течение нескольких месяцев даже при уменьшенном использовании изделия.

При более частом использовании их срок службы увеличивается благодаря энергии, производимой генератором – произведенная избыточная энергия накапливается в батареях.

* Можно перезаряжать батареи с помощью прилагаемого зарядного устройства.



12-ВЫЯВЛЕНИЕ НЕИСПРАВНОСТЕЙ

НЕИСПРАВНОСТЬ	ВОЗМОЖНАЯ ПРИЧИНА	УСТРАНЕНИЕ НЕИСПРАВНОСТИ
Панель смыва мигает красным цветом после смыва	<ul style="list-style-type: none">• Низкий уровень энергии	<ul style="list-style-type: none">• Перезарядить батарею
Панель смыва мигает красным цветом и не смывает	<ul style="list-style-type: none">• Очень низкий уровень энергии	<ul style="list-style-type: none">• Перезарядить батарею
Частая индикация низкого заряда батареи (красные вспышки)	<ul style="list-style-type: none">• Засоренный фильтр• Неисправный гидрогенератор• Неисправное программное обеспечение• Неправильное подключение сервопривода• Неисправный сервопривод	<ul style="list-style-type: none">• Проверить/очистить фильтр• Заменить гидрогенератор• Перезагрузить систему• Проверить соединения• Заменить сервопривод
При взаимодействии с панелью смыва освещение работает, но не происходит смыв	<ul style="list-style-type: none">• Пустой бачок	<ul style="list-style-type: none">• Проверить угловой клапан• Проверить возможную блокировку механизма заполнения (наполнительный клапан)• Проверить наличие воды в сети
При взаимодействии с панелью смыва освещение не работает, но выполняется смыв	<ul style="list-style-type: none">• Неисправное программное обеспечение• Функция светодиода отключена• Неисправное программное обеспечение• Разряженная батарея	<ul style="list-style-type: none">• Перезагрузить систему• Проверить настройки функции светодиода• Перезапустить систему• Перезарядить батарею
При взаимодействии с панелью смыва освещение не работает и не происходит смыв	<ul style="list-style-type: none">• Неправильное подключение• Неисправный гидрогенератор• Неправильная калибровка• Неисправный датчик	<ul style="list-style-type: none">• Проверить соединение с гидрогенератором• Заменить гидрогенератор• Перезагрузить систему• Заменить датчик/панель смыва
При взаимодействии с панелью смыва в обоих датчиках мигают две лампочки, и не выполняется смыв	<ul style="list-style-type: none">• Активирован режим очистки из-за неудовлетворительной калибровки• Чрезмерная конденсация внутри панели смыва	<ul style="list-style-type: none">• Перезагрузить систему• Проверить/очистить внутреннюю часть панели смыва
Очистка керамической чаши не эффективна	<ul style="list-style-type: none">• Объемы смыва могут быть установлены неправильно	<ul style="list-style-type: none">• Проверить конфигурацию механизма слива (спускной клапан)• Проверить, правильно ли работает механизм заполнения (наполнительный клапан)
В керамической чаше постоянно течет вода	<ul style="list-style-type: none">• Неисправное программное обеспечение• Поврежденное резиновое уплотнение• Неисправная система смыва• Неисправный механизм заполнения (наполнительный клапан)	<ul style="list-style-type: none">• Перезагрузить систему• Заменить резиновое уплотнение• Заменить систему смыва• Заменить механизм заполнения (наполнительный клапан)
Ничем не вызванные смывы	<ul style="list-style-type: none">• Активирован гигиенический автоматический смыв• Неправильная калибровка• Неисправное программное обеспечение	<ul style="list-style-type: none">• Проверить настройку функции гигиенического автоматического смыва• Перезагрузить систему• Перезагрузить систему
Неправильные смывы	<ul style="list-style-type: none">• Грязная или мокрая панель смыва• Неправильная калибровка	<ul style="list-style-type: none">• Проверить/очистить внутреннюю часть панели смыва• Перезагрузить систему
Зарядное устройство не показывает зеленый свет	<ul style="list-style-type: none">• Неисправное настенное зарядное устройство• Неисправный гидрогенератор	<ul style="list-style-type: none">• Заменить настенное зарядное устройство• Заменить гидрогенератор
Длительное время заполнения	<ul style="list-style-type: none">• Засоренный фильтр• Низкое давление водопроводной сети (<2 бар/ >120 с)	<ul style="list-style-type: none">• Проверить/очистить фильтр гидрогенератора• Снять регулятор потока с механизма заполнения (наполнительный клапан)



12-ВЫЯВЛЕНИЕ НЕИСПРАВНОСТЕЙ

НЕИСПРАВНОСТЬ	ВОЗМОЖНАЯ ПРИЧИНА	УСТРАНЕНИЕ НЕИСПРАВНОСТИ	
При взаимодействии с панелью смыва освещение работает, но не происходит смыв	<ul style="list-style-type: none">• Неисправное программное обеспечение• Неправильно подключение сервопривода• Неисправный сервопривод	<ul style="list-style-type: none">• Перезагрузить систему• Проверить соединения• Заменить сервопривод• Проверить угловые клапаны	
	<ul style="list-style-type: none">• Пустой бачок	<ul style="list-style-type: none">• Проверить возможную блокировку механизма заполнения (наполнительный клапан)• Проверить наличие воды в сети	
При взаимодействии с панелью смыва освещение не работает, но выполняется смыв	<ul style="list-style-type: none">• Неисправное программное обеспечение• Функция светодиода отключена	<ul style="list-style-type: none">• Перезагрузить систему• Проверить настройки функции светодиода	
	При взаимодействии с панелью смыва освещение не работает и не происходит смыв	<ul style="list-style-type: none">• Неисправное программное обеспечение• Выключение света	<ul style="list-style-type: none">• Перезагрузить систему• Проверить электропитание
<ul style="list-style-type: none">• Неправильное подключение		<ul style="list-style-type: none">• Проверить соединения с сетевым адаптером	
<ul style="list-style-type: none">• Неисправность сетевого адаптера		<ul style="list-style-type: none">• Заменить сетевой адаптер	
<ul style="list-style-type: none">• Неправильная калибровка		<ul style="list-style-type: none">• Перезагрузить систему	
<ul style="list-style-type: none">• Неисправный датчик		<ul style="list-style-type: none">• Заменить датчик/панель смыва	
При взаимодействии с панелью смыва в обоих датчиках мигают две лампочки, и не выполняется смыв	<ul style="list-style-type: none">• Активирован режим очистки из-за неудовлетворительной калибровки• Чрезмерная конденсация внутри панели смыва	<ul style="list-style-type: none">• Перезагрузить систему• Проверить/очистить внутреннюю сторону панели смыва	
	Очистка керамической чаши не эффективна	<ul style="list-style-type: none">• Объемы смыва могут быть установлены неправильно	<ul style="list-style-type: none">• Проверить конфигурацию механизма слива (выпускной клапан)• Проверить, правильно ли работает механизм заполнения (наполнительный клапан)
В керамической чаше постоянно течет вода		<ul style="list-style-type: none">• Неисправное программное обеспечение• Поврежденное резиновое уплотнение• Неисправная система смыва	<ul style="list-style-type: none">• Перезагрузить систему• Заменить резиновое уплотнение• Заменить систему смыва
	<ul style="list-style-type: none">• Неисправный механизм заполнения (наполнительный клапан)• Некалиброванный Сервопривод• Сбой при сливе	<ul style="list-style-type: none">• Заменить механизм заполнения (наполнительный клапан)• Ручная калибровка• Ручная калибровка	
	Ничем не вызванные смывы	<ul style="list-style-type: none">• Активирован гигиенический автоматический смыв• Неправильная калибровка	<ul style="list-style-type: none">• Проверить настройку функции гигиенического автоматического смыва• Перезагрузить систему
		<ul style="list-style-type: none">• Неисправное программное обеспечение	<ul style="list-style-type: none">• Перезагрузить систему
		Неправильные смывы	<ul style="list-style-type: none">• Грязная или мокрая панель смыва• Неправильная калибровка

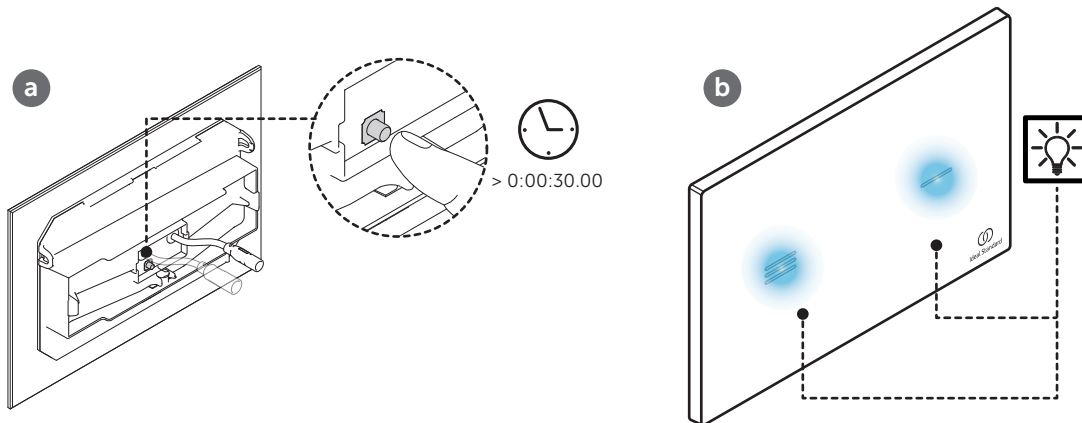
EN
DE
RU



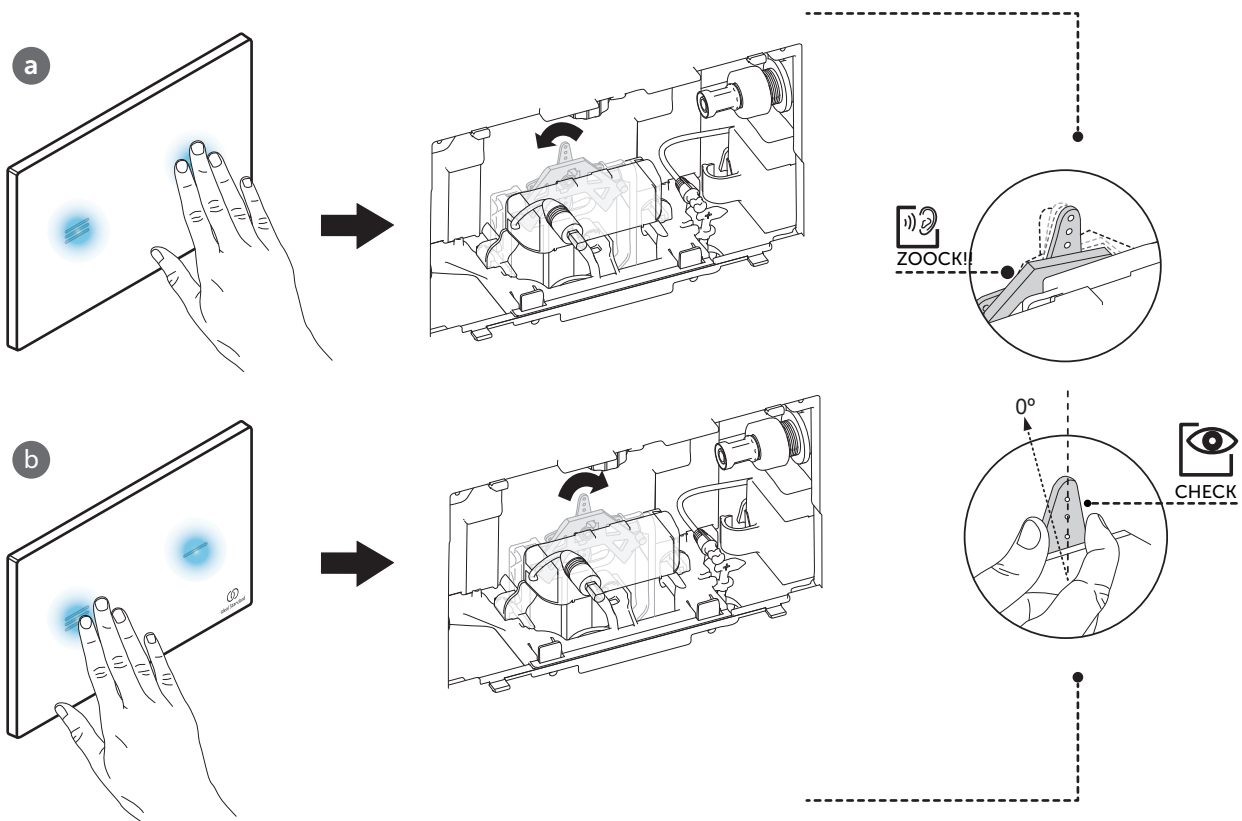
РУЧНАЯ КАЛИБРОВКА

EN
DE
RU

- 1** Для калибровки сервопривода необходимо нажать на кнопку, которая расположена на задней панели датчика.
Необходимо удерживать кнопку в течение 30 или более секунд (a), пока не загорятся два индикатора синего цвета (b).



- 2** После загорания синего индикатора вы можете выполнить калибровку, приближая руку к определенному датчику.
Приблизив руку к датчику половинного слива (a), сервопривод переместится влево.
Если вы поднесете руку к датчику полного слива (b), сервопривод переместится вправо.



13-УХОД И ТЕХНИЧЕСКОЕ ОБСЛУЖИВАНИЕ

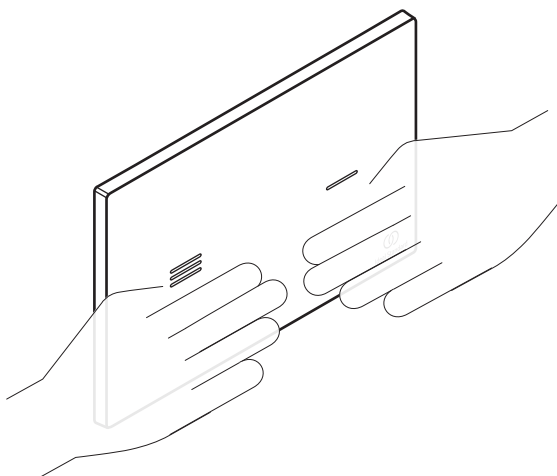
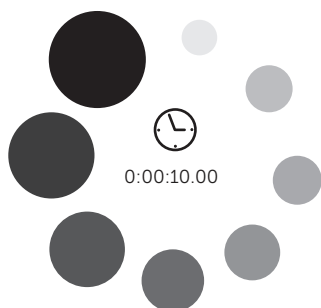


РЕЖИМ ОЧИСТКИ

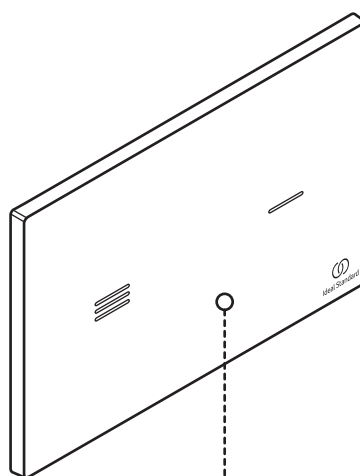
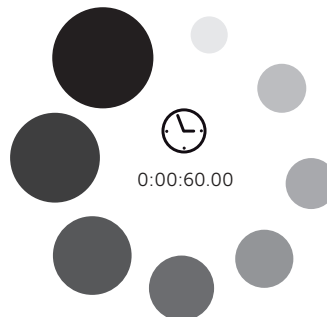
У панели смыва есть режим очистки, который позволяет пользователю очищать её, не вызывая нежелательных смывов.

EN
DE
RU

- 1** В отличие от других функций, данную функцию можно активировать напрямую, не разбирая панель слива при одновременном взаимодействии двух датчиков в течение 10 секунд.



- 2** По истечении времени очистки – 60 секунд – панель смыва возвращается в обычный режим работы.





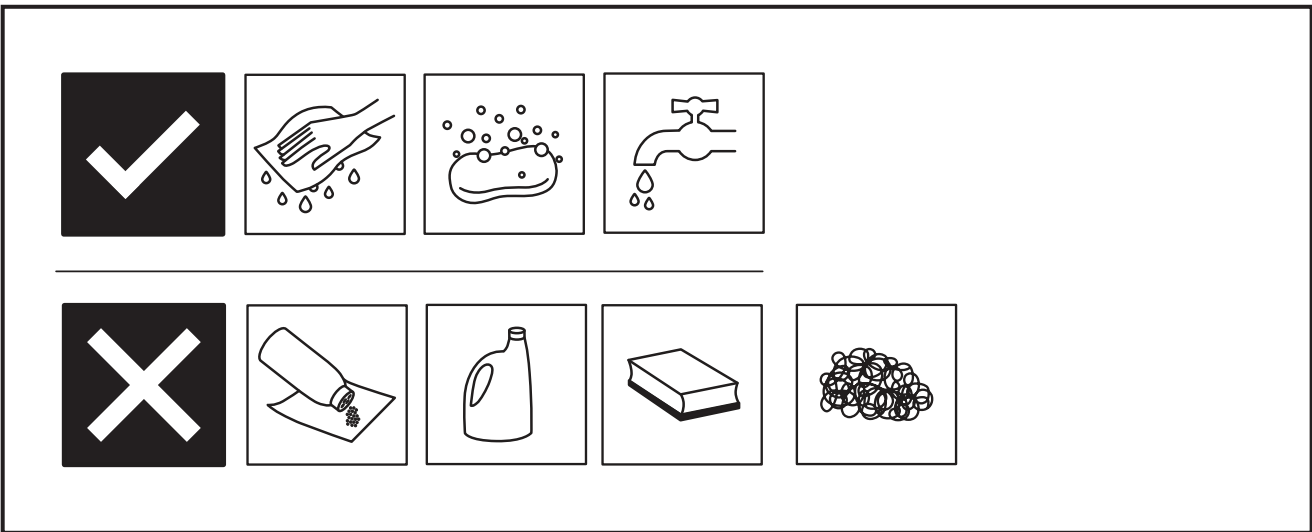
ОЧИСТКА ПАНЕЛИ СМЫВА

За поверхность легко ухаживать и очищать. Используйте мягкую ткань и мыльную воду для регулярного ухода. Протирайте сухой тряпкой.

Избегайте использования абразивных материалов или растворителей, которые повреждают поверхность.

Повреждение, вызванное неправильным обращением пользователя, не покрывается нашей гарантией.

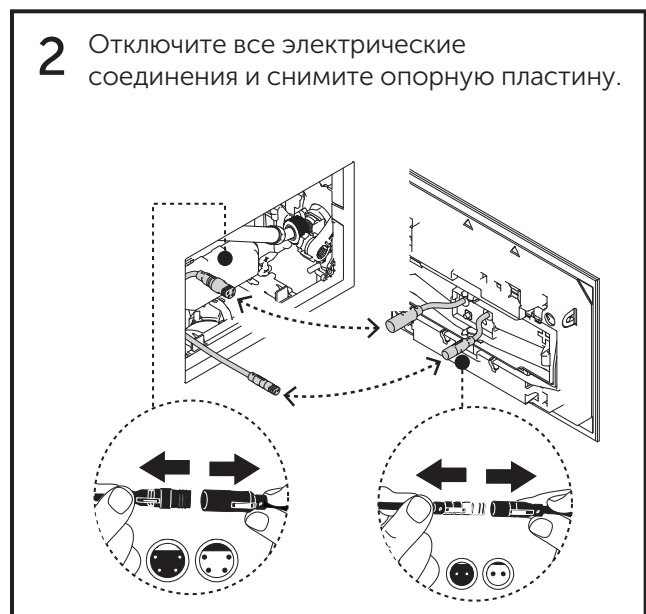
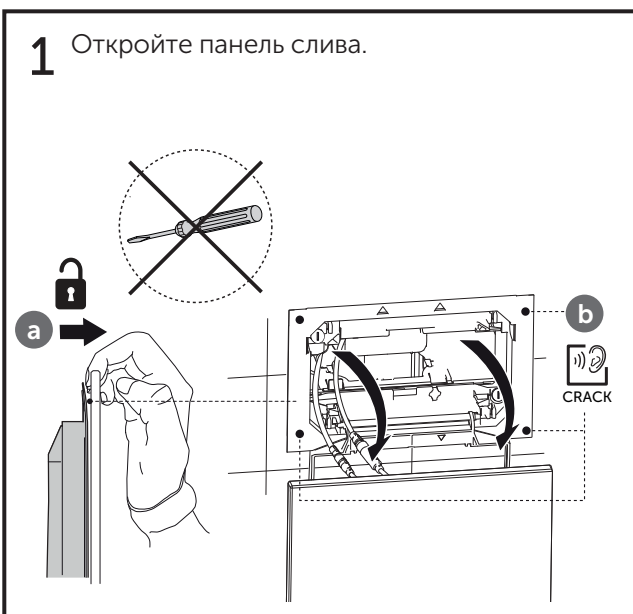
EN
DE
RU



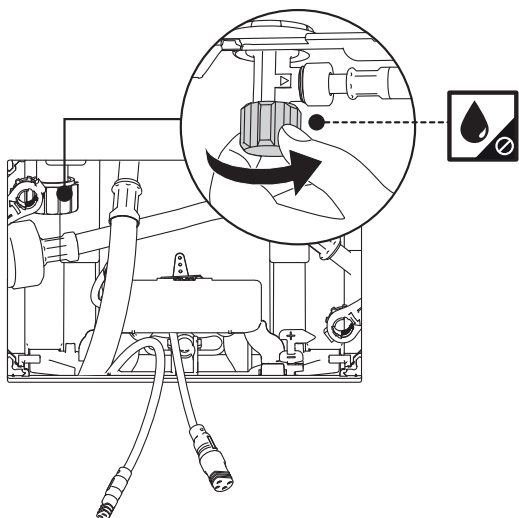
ОЧИСТКА ФИЛЬТРА

Для защиты гидрогенератора и наполнительного клапана, система «Hydroboost» включает фильтр. В случае установки в районах с загрязненной водой/новостройками есть вероятность постепенного накопления мусора и потери эффективности работы.

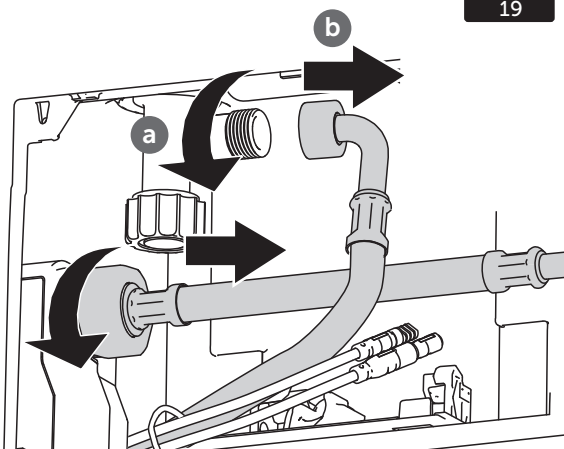
Поэтому рекомендуется проводить периодическое техническое обслуживание.



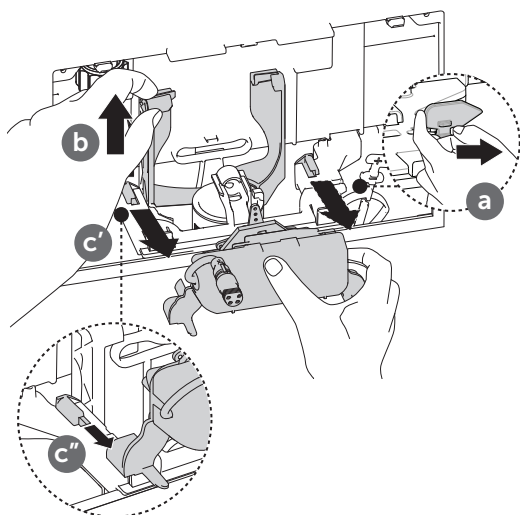
3 Закройте запорный клапан



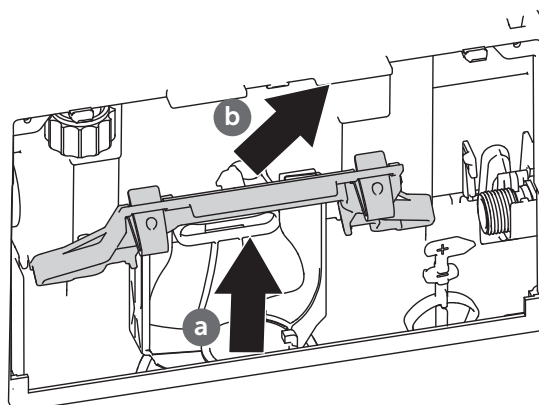
4 Отсоедините гибкие шланги



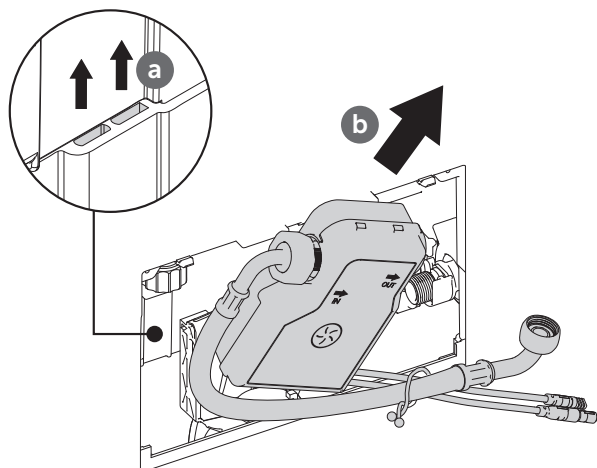
5 Снимите сервопривод



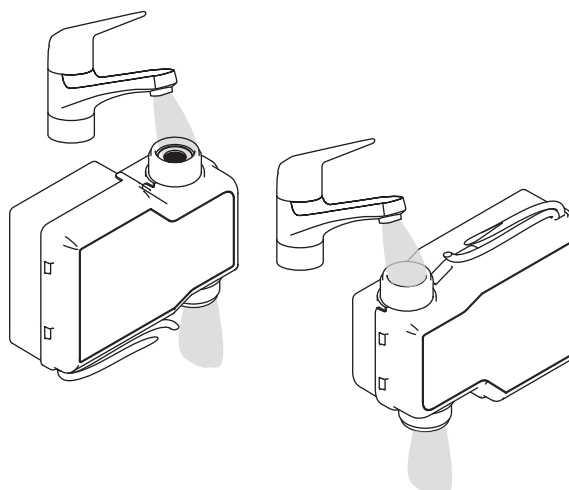
6 Снимите блок



7 Снимите гидрогенератор



8 Тщательно промойте водой с обеих сторон.



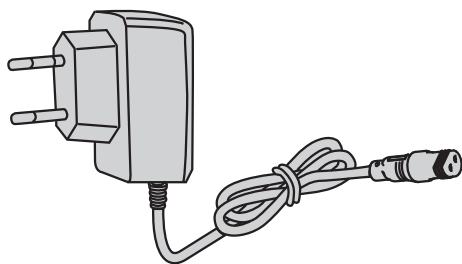
EN
DE
RU






ЗАРЯДКА БАТАРЕИ

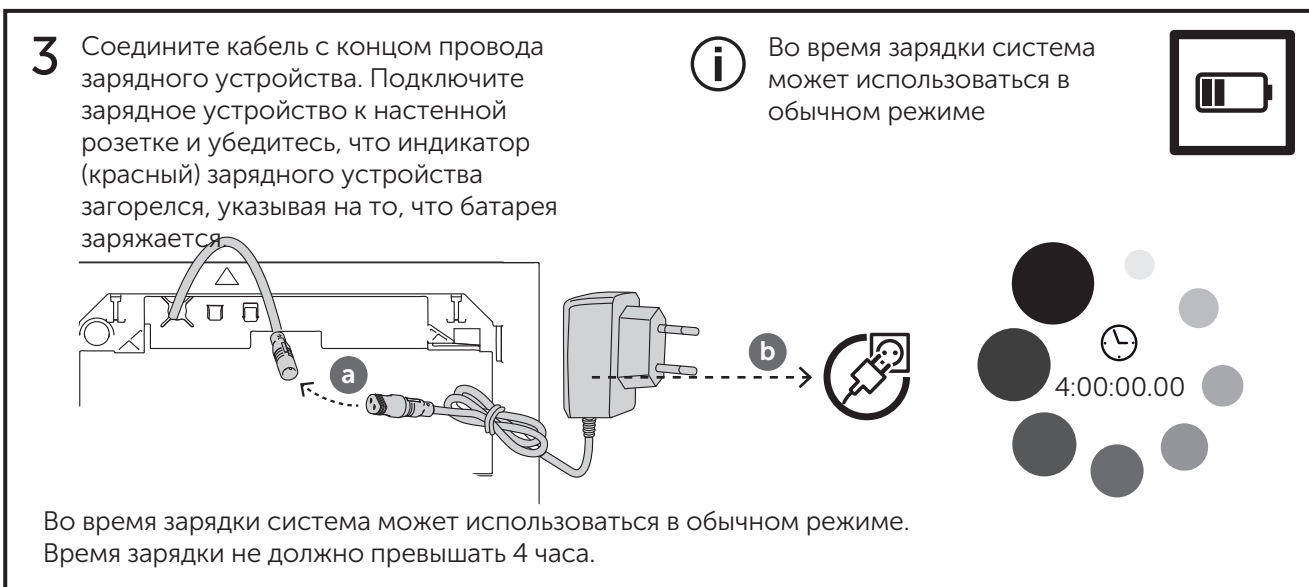
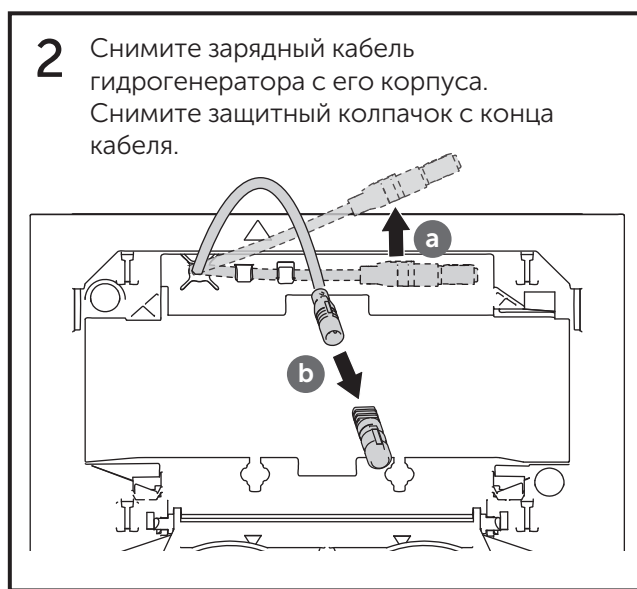
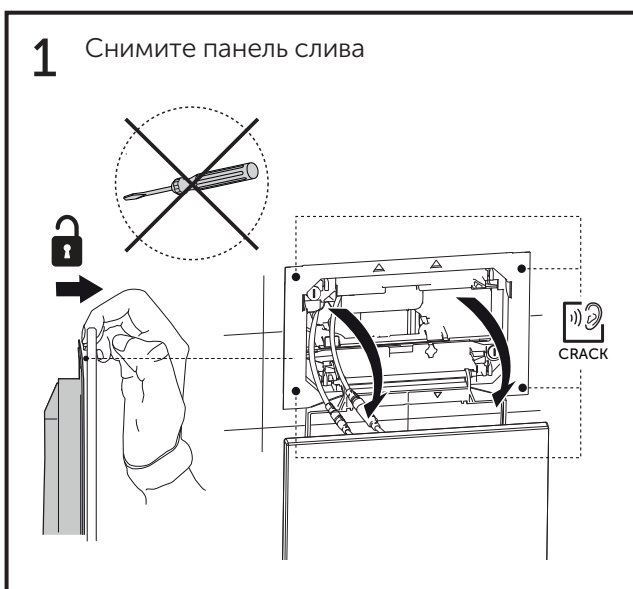
Система «Smartforce» состоит из гидрогенератора и комплекта батарей. Таким образом, уровень энергии в батареях может быть низким при редком использовании (генератор производит энергию и заряжает батарею только при выполнении смывов) и/или при естественном расходе батареи с течением времени. В обоих случаях системе может потребоваться зарядка с помощью зарядного устройства.

EN
DE
RU



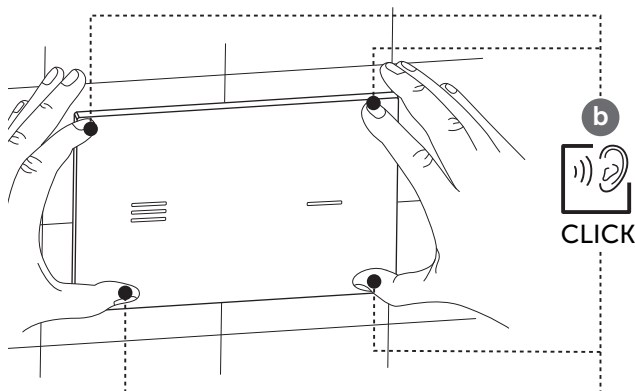
	
	Зарядка
	Полностью заряжена

Для этого выполните процедуру:

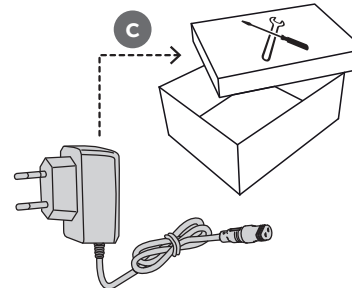


Во время зарядки система может использоваться в обычном режиме. Время зарядки не должно превышать 4 часа.

- 4** После завершения, защитный колпачок следует вернуть на конец кабеля, а кабель поместить в опорную пластину. Панель слива следует поместить обратно в рабочее положение, а зарядное устройство сохранить для дальнейшего использования.



Система «Click»



EN
DE
RU

Ideal Standard International NV
Corporate Village – Gent Building
Da Vincilaan 2
B1935 – Zaventem
Belgium



BE +32 (0)2 325 66 33
BG +359 675 30362
DE +49 (0)228 521 580
EG +202 26969700
FR +33 (0)1 49 38 28 00
GB 0870 129 6085
GR +30 210 67 90 810
HR +38591 22 99 304

HU +36 30 6991 594
IT 800 652 290
ME +971 4 804 2400
NL +31 (077) 355 08 08
PL +48 71 7868 301/302
RO +40 21 3223 201/202
SI 00386 59 919040
TR +90 216 314 87 87

UA +359 675 30 468
AL/XK/BA +359 887 709 696
CZ/SK +420 417 592 179
DK/NO/SE +45 75 84 10 10
ES/PT +34 93 561 80 00
LV/LT/EE +371 673 57 792
RS/MK/ME +381 11 713 80 58
RU/MD +7 495 669 23 11



Ideal Standard