

SCOPIO

Floorstanding washbasin, with wall connection, glazed steel, with tap bank, with one tap hole, centered, without overflow, including fixing set, drain valve



DIMENSIONS

Length	400 mm
Width	500 mm
Height	900 mm

COLOUR AND FINISH

<input type="checkbox"/>	757 White matt
--------------------------	----------------

OPTIONS

111 - one tap hole, without overflow

Back glazed

Bowl length (mm) : 400

Bowl position : Central

Bowl width (mm) : 500

Fixing kit : Included

Glazed base

Installation type : Floor-standing

Internal Shape : 1 - Round

Material : Glazed steel

Net weight (kg) : 24.5

Overflow type : Standard

Plug and Waste : Included

Shape : Round

Taphole configuration : 1 taphole in the middle

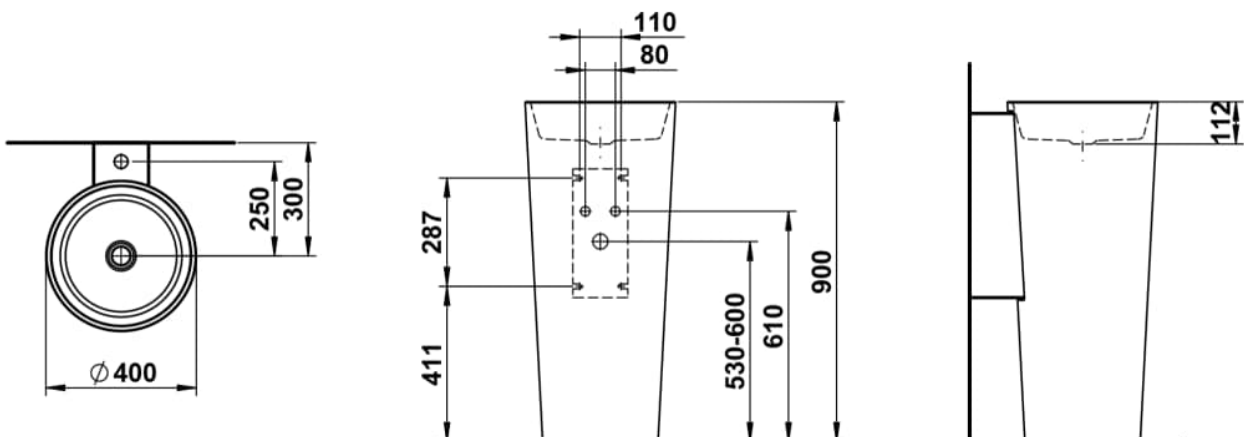
Trap : Included

Waste : Included

Weight (Kg) : 24.5

Without overflow

TECHNICAL DRAWINGS





SCOPIO

Each washbasin in the Scopio series is a masterpiece in its own right, redefining space through formal clarity and aesthetic sophistication. The series combines functionality and art, elegance and simplicity, creating a harmonious environment that is more than just a place for daily care.

The freestanding column from the Scopio collection is a symbol of strength and presence. Its clear, sculptural form is both majestic and calming. It makes a bold statement in the room while radiating a quiet, unobtrusive elegance through its simple beauty.

The washbasin from the Scopio series impresses with its minimalist lines and effortless blend of function and style. A washbasin that elevates any setting with its purist grace while never appearing intrusive in its understated beauty.

The wall-mounted washbasin captivates with its unusual, almost organic shape. Its deeper, outward-flaring structure gives it an impressive presence that simultaneously conveys a sense of lightness. This unique form seems to lift off from the floor and float into the room, creating a spacious, open effect.

