

CLASSICS

Bucket sink, wall-hung, made of Vitreon Steel, without tap hole, with overflow, PVC edge, black, drain and overflow fitting with chain and plug



DIMENSIONS

Length	510 mm
Width	330 mm
Height	365 mm

COLOUR AND FINISH

000	White
-----	-------

OPTIONS

109 - without tap hole

Back glazed

Bowl length (mm) : 510

Bowl position : Central

Bowl width (mm) : 330

Fixing kit : Included

Glazed base

Installation type : Wall-hung

Internal Shape : 6 - Rectangular

Material : LAUFEN Vitreon Steel

Net weight (kg) : 3.7

Overflow type : Standard

Plug and Waste : Not included

Shape : Rectangular

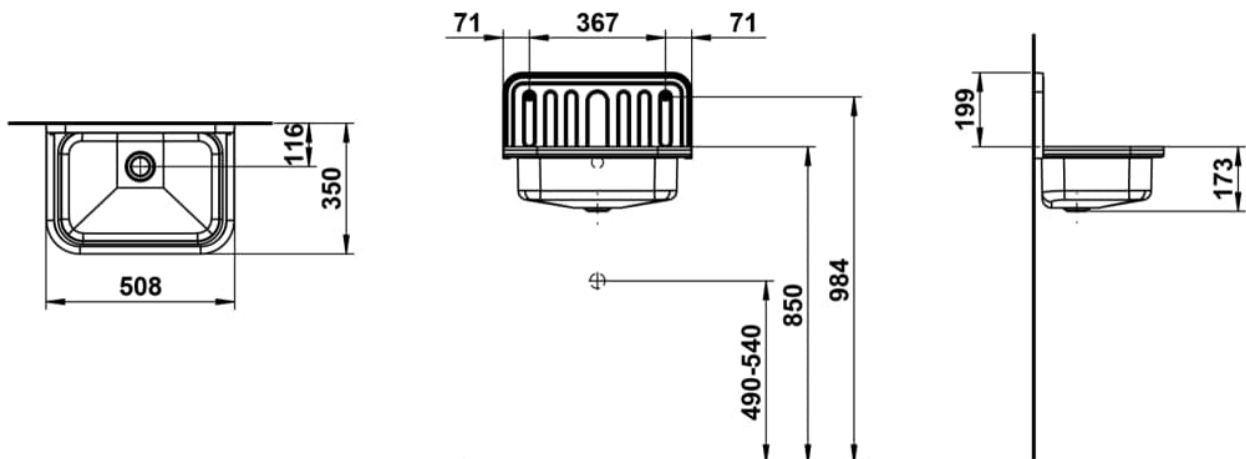
Taphole configuration : No tapholes

Trap : Not included

Waste : Included

Weight (Kg) : 4.8

TECHNICAL DRAWINGS



CLASSICS

The washbasins of the CLASSICS series combine iconic design with an emotional depth that shapes the space—clear, authentic, unmistakable. Every detail reflects a clear design intention: restrained, yet full of character.

Reduced depths, precisely defined geometries, and finely proportioned basins made of glazed steel create a sense of visual calm—even in compact spaces. These washbasins integrate seamlessly into smaller layouts, contributing to the order and clarity of the overall architectural concept.

Designed for those who seek the extraordinary in everyday life—and who want their bathroom to make a personal statement.