

## Urinal cover Venticello

**Model** — **8M10S1** Venticello urinal cover with Softclosing  
incl. 9221 88 61 hinges

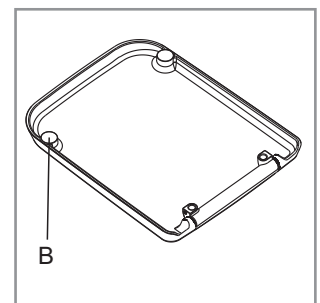
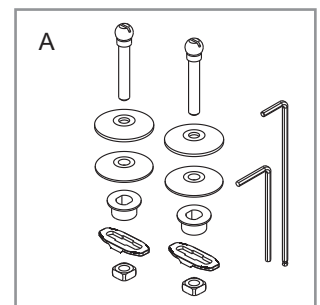
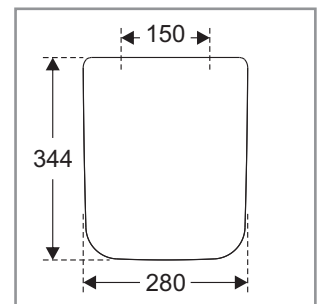
**Product Description** — Venticello urinal cover made of colour ingrained duroplast:  
- incl. hinges stainless steel  
- centre distance: 150 mm  
- 10 year guarantee

**Colour Programme** — R1 white alpin  
R2 Star white  
S0 glossy black  
S3 Edelweiss

**Hinge Finish** — Stainless steel

**Spare Parts** — A) 9221 88 61 hinges stainless steel  
B) 9221 93 00 Buffers for seat and cover

**Cleaning Instructions** — Use a mild soap solution. Seat and hinge should not be left damp, but be dried with a soft cloth. When using abrasive, corrosive or chlorine based cleaners for the bowl, avoid contact with seat and hinge as it may lead to damages or flash rust. Therefore, when cleaning the bowl, make sure that seat and cover are in an upright position until all the cleaner has been flushed away.

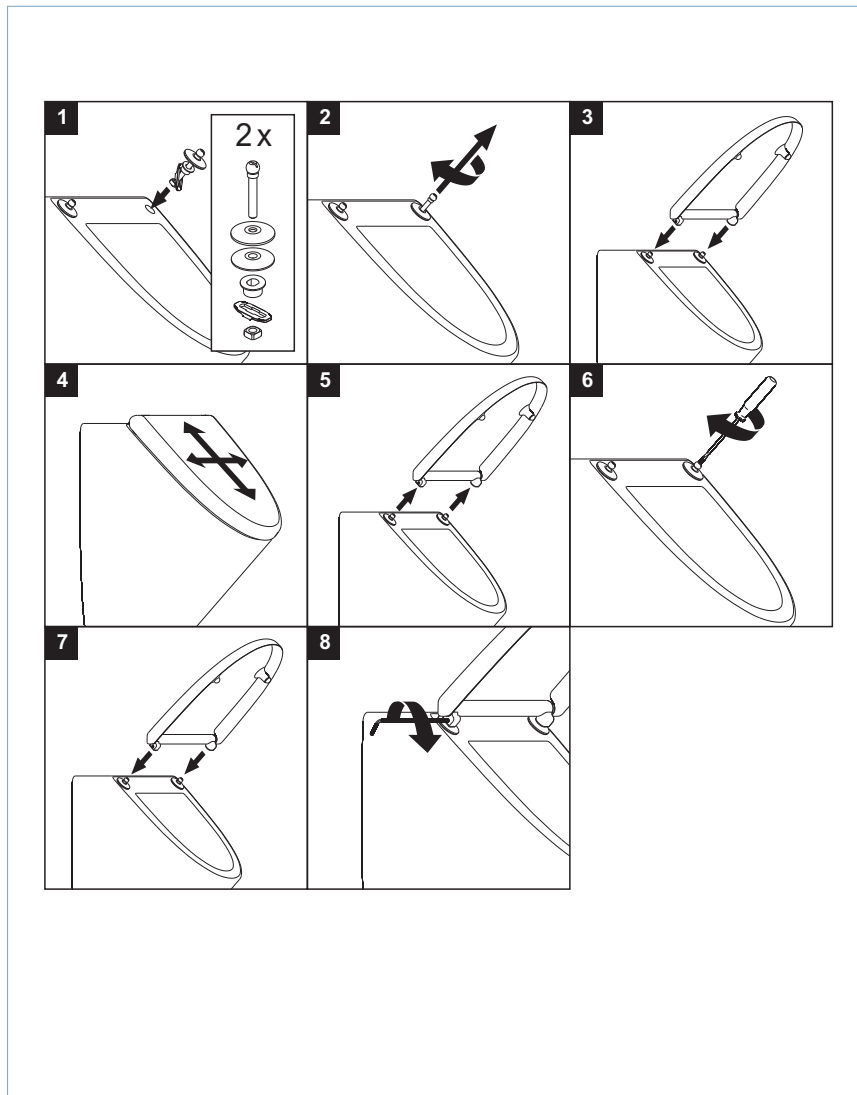


Villeroy & Boch

1748

# Urinal cover Venticello

## Instruction manual



## Material Description

URINAL COVER: The material is colour ingrained duroplast (UF A 10 = urea formaldehyde) that contains no environmentally hazardous substances. UF plastic comprises 67 % urea formaldehyde resin, 28 % cellulose, as well as 5 % minerals, pigments, lubricants and moisture content. The raw material from the supplier contains less than 0,03 % formaldehyde after a special curing process.

BUFFERS: TPE ( Thermoplastic Elastomer)

MOUNT/HINGE: stainless steel

## Guarantee

The guarantee includes faults or defects in the material of our products within a periode of 10 years. Products subject to minor technical modifications and design deviations. Errors and omissions excepted.