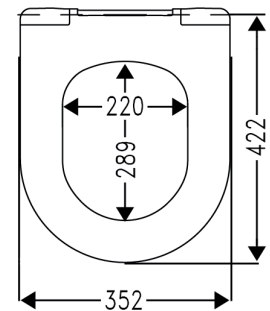


Ring seat ViCare



Model 9M9761 ViCare ring seat with adjustable buffers and Antibac feature, incl. 9218 91 61 hinge.

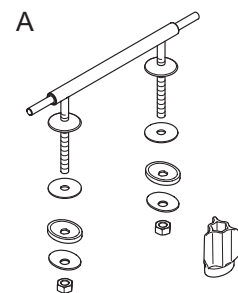
Product Description ViCare ring seat made of colour ingrained duroplast
 • incl. hinge in stainless steel and nylon
 • centre distance: 155 mm
 • load of ring seat: 240 kg
 • 10 years guarantee



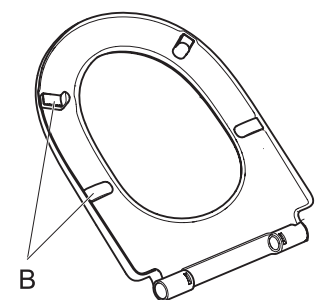
Colour Programme T1 White, antibac
 P1 Blue, antibac

Hinge Finish 61 Stainless steel

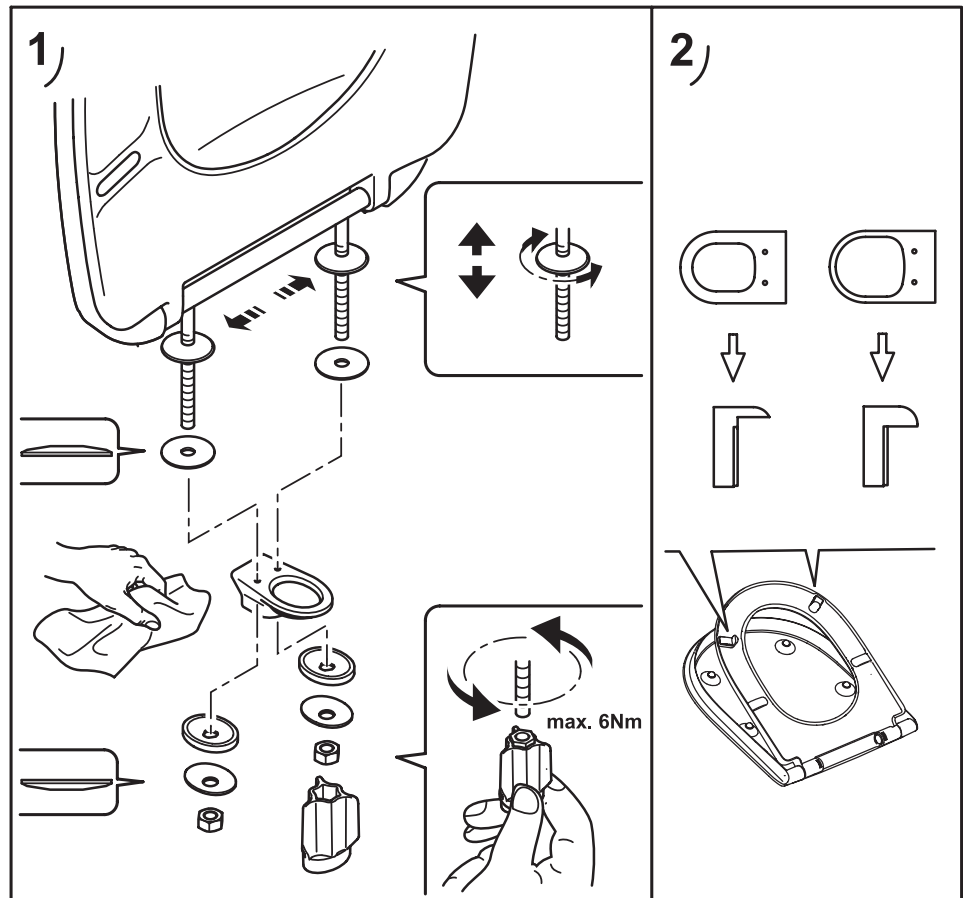
Spare Parts A) 9218 91 61 Hinge in stainless steel and nylon
 B) 9218 80 00 Buffer



Cleaning Instructions Use a mild soap solution. Seat and hinges should not be left damp, but be dried with a soft cloth. When using abrasive, corrosive or chlorine based cleaners for the bowl, avoid contact with seat and hinges as it may lead to damages or flash rust. Therefore, when cleaning the bowl, make sure that seat and cover are in an upright position until all the cleaner has been flushed away.



Installation Instructions



Material Description

RING SEAT: The material is colour ingrained duroplast (UF A 10 = urea formaldehyde) that contains no environmentally hazardous substances. UF plastic comprises 67% urea formaldehyde resin, 28% cellulose, as well as 5% minerals, pigments, lubricants and moisture content. The closed-porous surface with Antibac version (Biocide Regulation (EU) no. 528/2012) provides the best basis for optimum hygiene.

BUFFERS: PE (Polyethylene)

HINGES: Stainless steel and nylon

Guarantee

The guarantee includes faults or defects in the material of our products within a period of 10 years.

Products subject to minor technical modifications and design deviations E. & O.E.