

### External Unwinder

The external unwinder is used for suspension and uniform supply of continuous printing materials from the roll to the **smartPRINTER**.

The unwinder is enclosed with your printer and is to be assembled as described in these instructions. Application note Fig. EA1 contains instructions for installing a print material roll.

### Description

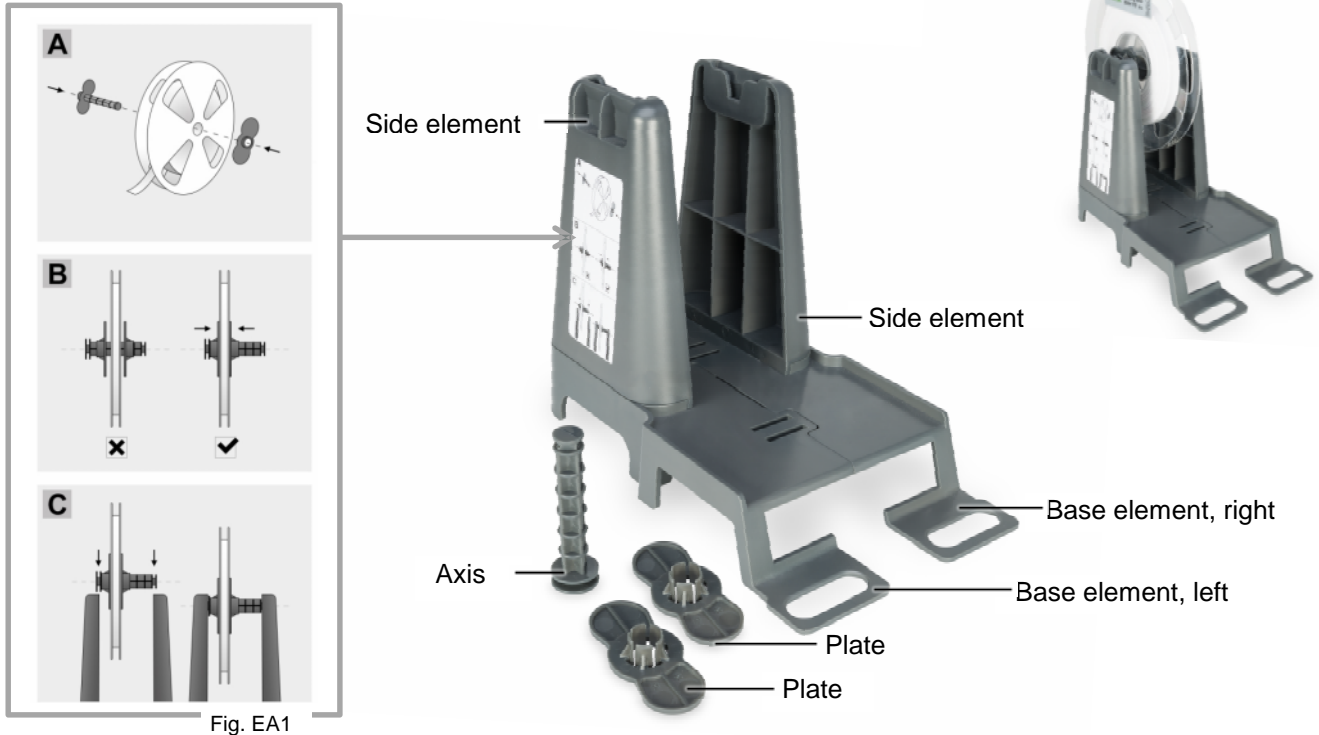


Fig. EA1

### Assembly

Fig. EA2

- Slide the T-slot on the side element into the T-guide of the base plate to the stop.

Fig. EA3

- Connect the left and right sub-assemblies, sliding the guides in the base elements together to the stop.



Fig. EA2



Fig. EA3

**smartPRINTER Accessories – External Unwinder Instructions**

WAGO Kontakttechnik GmbH Co. KG – Hansastrasse 27 – 32423 Minden/Germany

Fig. EA4

- Pre-assembled external unwinder.

Fig. EA5

- Use the clamping screw to screw the left and right sub-assemblies together. The external unwinder is ready for use with the **smartPRINTER**.

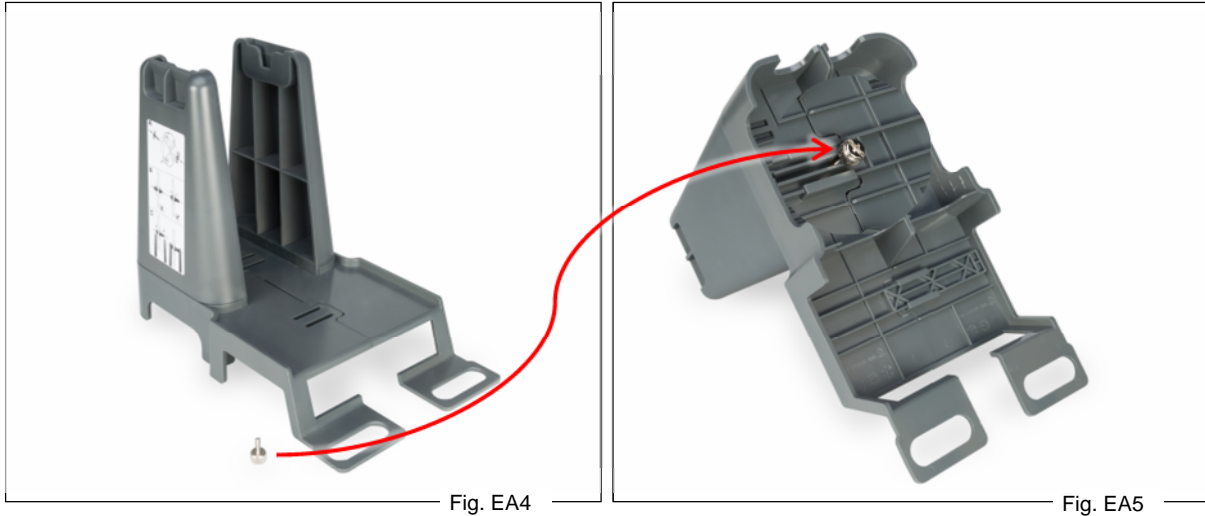


Fig. EA6

- The external unwinder is set up behind the **smartPRINTER**.
- The external unwinder is set up on the same level as the **smartPRINTER**.



Important: The external unwinder with the print material on the roll is positioned to allow the print material and material that runs through the printer in an imaginary line.

